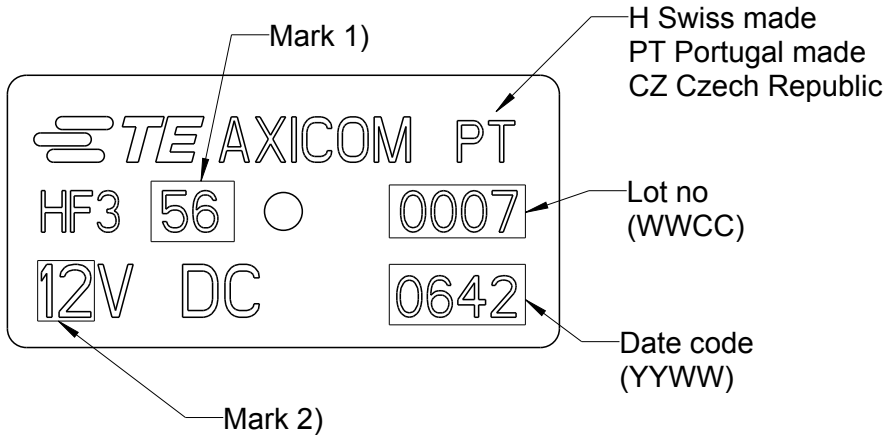


LOC	DIST	REVISIONS					
HJ	-	P	LTR	DESCRIPTION	DATE	DWN	APVD
			C1	ECR-14-007162 (Packaging information)	13OCT2015	AP	AK
			C	REVISED PER ECO-13-009645	18JUN2013	UKo	AK
			B3	New HF3 91R, HF3 93R, HF3 96R	12JAN2012	UKo	BK
			B2	Printing, new HF3 53RS	09JUL2010	UKo	HD



Packaging data code (Box, bag, reels):  
 P(YWWDSL)000  
 Shipping data code:  
 YYWW

P - Product code (9 to HF relay)  
 Y(Y) - Year (last digit for packaging)  
 WW - calendar week (from date code)  
 D - Day of the week (1=Sat,.....and 7=Fri)  
 S - Shift (1=day shift, 2 night shift)  
 L - Production Line  
 C - Weekly sequential number  
 000 - For internal use

Pos.	Relay-Typ	Mark 1)	Mark 2)	PN
1	HF3 51	51	3	1462051-1
2	HF3 51S	51S	3	3-1462051-0
3	HF3 52	52	4.5	1-1462051-6
4	HF3 52S	52S	4.5	2-1462051-8
5	HF3 53	53	5	1462051-2
6	HF3 53RS	53RS	5	3-1462051-3
7	HF3 53S	53S	5	2-1462051-3
8	HF3 54	54	6	1-1462051-7
9	HF3 55	55	9	1462051-3
10	HF3 56	56	12	1462051-4
11	HF3 56S	56S	12	3-1462051-1
12	HF3 57	57	24	1462051-5
13	HF3 57S	57S	24	2-1462051-2
14	HF3 71	71	3	1462051-6
15	HF3 72	72	4.5	1-1462051-8
16	HF3 73	73	5	1462051-7
17	HF3 73S	73S	5	2-1462051-7
18	HF3 74	74	6	1-1462051-9

2007

RELEASED FOR PUBLICATION

ALL RIGHTS RESERVED.

THIS DRAWING IS UNPUBLISHED.


© COPYRIGHT 2007

DIMENSIONS: mm	DWN UKo 9193	04APR2007	MATERIAL	-	FINISH	-
	CHK HD 9121	04APR2007	TE Connectivity NAME HF3-Relay 50Ω Marking			
TOLERANCES UNLESS OTHERWISE SPECIFIED: DIN 7168-m	APVD HD 9121	04APR2007				
0 PLC ±-	PRODUCT SPEC	-	SIZE	A4	CAGE CODE	00779
1 PLC ±-	APPLICATION SPEC	-	DRAWING NO	C- 1462051-1		RESTRICTED TO
2 PLC ±-	WEIGHT	-	CUSTOMER DRAWING			
3 PLC ±-			SCALE	5:1	SHEET	1 OF 2
4 PLC ±-			REV	C1		
ANGLES ±-						

LOC		DIST		REVISIONS					
HJ		-		P	LTR	DESCRIPTION	DATE	DWN	APVD
						SEE SHEET 1	-	-	-

Pos.	Relay-Typ	Mark 1)	Mark 2)	PN
19	HF3 75	75	9	1462051-8
20	HF3 76	76	12	1462051-9
21	HF3 77	77	24	1-1462051-0
22	HF3 91	91	3	1-1462051-1
23	HF3 91S	91S	3	3-1462051-2
24	HF3 91R	91R	3	3-1462051-7
25	HF3 92	92	4.5	2-1462051-0
26	HF3 92S	92S	4.5	2-1462051-5
27	HF3 93	93	5	1-1462051-2
28	HF3 93S	93S	5	2-1462051-4
29	HF3 93R	93R	5	3-1462051-5
30	HF3 94	94	6	2-1462051-1
31	HF3 95	95	9	1-1462051-3
32	HF3 96	96	12	1-1462051-4
33	HF3 96S	96S	12	2-1462051-6
34	HF3 96R	96R	12	3-1462051-6
35	HF3 97	97	24	1-1462051-5

2007  
 RELEASED FOR PUBLICATION  
 ALL RIGHTS RESERVED.  
 THIS DRAWING IS UNPUBLISHED.  
 COPYRIGHT 2007

DIMENSIONS: <b>mm</b>  TOLERANCES UNLESS OTHERWISE SPECIFIED: DIN 7168-m  0 PLC ±- 1 PLC ±- 2 PLC ±- 3 PLC ±- 4 PLC ±- ANGLES ±-	DWN UKo 9193	04APR2007	MATERIAL	-	FINISH	-
	CHK HD 9121	04APR2007	 TE Connectivity			
	APVD HD 9121	04APR2007				
	PRODUCT SPEC	NAME HF3-Relay 50Ω Marking				
	APPLICATION SPEC	SIZE <b>A4</b>				
WEIGHT	-	CAGE CODE	DRAWING NO		RESTRICTED TO	-
CUSTOMER DRAWING			SCALE <b>5:1</b>		SHEET <b>2</b> OF <b>2</b>	
			C = <b>1462051-1</b>		REV <b>C1</b>	