

# High sensitivity, compact accelerometers

## 728A and 728T

### SPECIFICATIONS

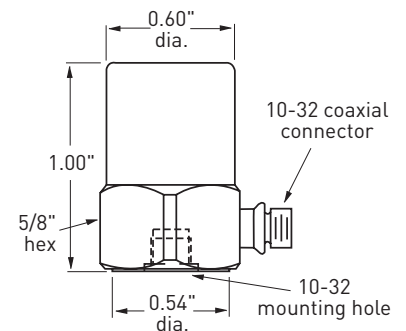
<b>Sensitivity, <math>\pm 5\%</math>, 25°C</b>		500 mV/g
<b>Acceleration range</b>		15 g peak
<b>Amplitude nonlinearity</b>		1%
<b>Frequency response:</b>		
	$\pm 5\%$	3 - 5,000 Hz
	$\pm 3$ dB	1 - 10,000 Hz
<b>Resonance frequency, mounted, nominal</b>		24 kHz
<b>Transverse sensitivity, max</b>		7% of axial
<b>Temperature response:</b>		
	-50°C	-10%
	+120°C	-5%
<b>Power requirement:</b>		
Voltage source		18 - 30 VDC
Current regulating diode		2 - 10 mA
<b>Electrical noise, equiv. g, nominal:</b>		
Broadband	2.5 Hz to 25 kHz	30 $\mu$ g
Spectral	10 Hz	5.0 $\mu$ g/ $\sqrt{\text{Hz}}$
	100 Hz	0.4 $\mu$ g/ $\sqrt{\text{Hz}}$
	1,000 Hz	0.1 $\mu$ g/ $\sqrt{\text{Hz}}$
<b>Output impedance, max</b>		100 $\Omega$
<b>Bias output voltage, nominal</b>		10 VDC
<b>Grounding:</b>	<b>728A</b>	case grounded
	<b>728T</b>	base isolated
<b>Temperature range</b>		-50° to +120°C
<b>Vibration limit</b>		250 g peak
<b>Shock limit</b>		2,500 g peak
<b>Electromagnetic sensitivity at 60 Hz</b>		20 $\mu$ g/gauss
<b>Base strain sensitivity</b>		0.002 g/ $\mu$ strain
<b>Weight</b>		44 grams
<b>Case material</b>		stainless steel
<b>Mounting</b>		10-32 tapped hole
<b>Output connector</b>		10-32 coaxial
<b>Mating connector</b>		R1
<b>Recommended cabling</b>		J93

Accessories supplied: SF1 mounting stud; calibration data (level 3)

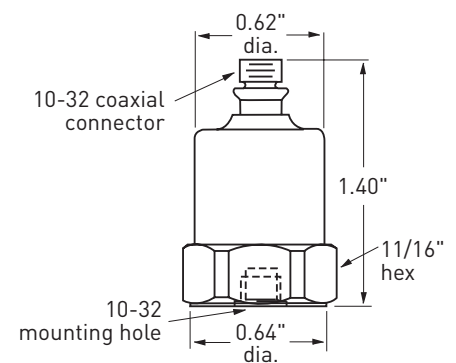


### Key features

- Wide dynamic range
- Low noise floor
- Manufactured in ISO 9001 facility



**Model 728A**



**Model 728T**



Note: Due to continuous process improvement, specifications are subject to change without notice. This document is cleared for public release.