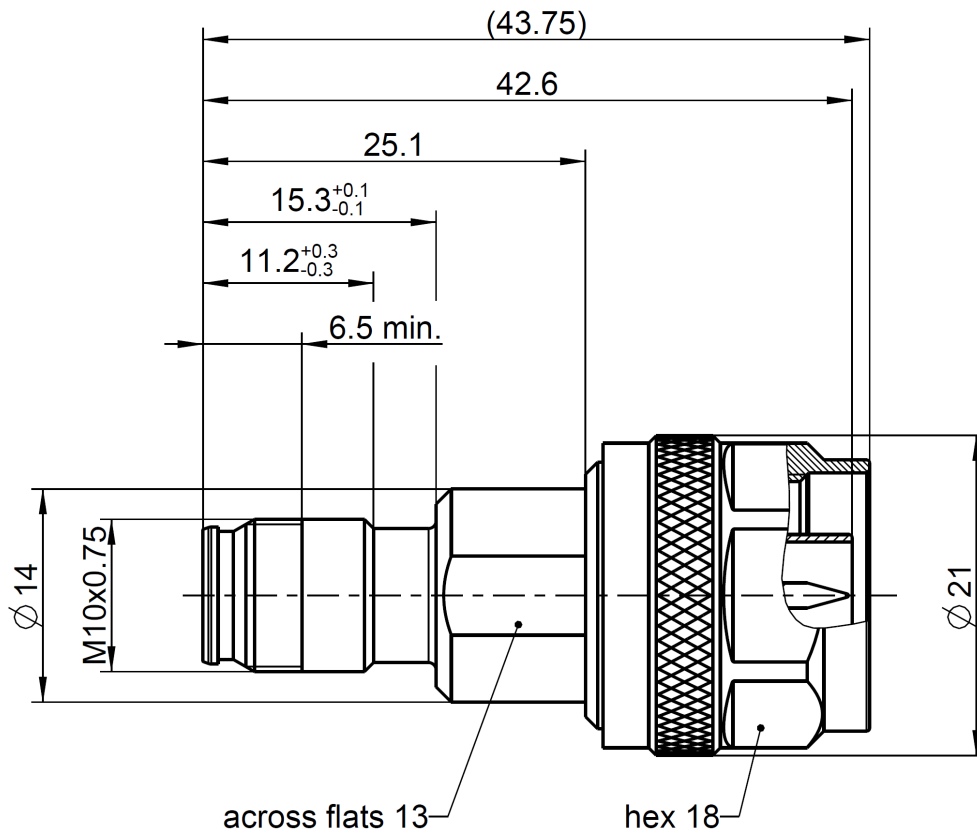


Adaptor  
N Plug – NEX10 Jack

**53S189-K00N1**



All dimensions are in mm; tolerances according to ISO 2768 m-H

**Interface**

According to NEX10 side: tbd  
N side: IEC 61169-16, MIL-PRF-39012, CECC 22210

**Material and Plating**

**Connector parts**

Center contact  
Outer contact  
Body  
Dielectric  
Gasket

**Material**

CuBe  
Brass  
Brass  
PTFE  
Silicone

**Plating**

Silver, 3-6 µm  
White bronze(e.g. Optalloy®)  
White bronze(e.g. Optalloy®)

Dieses Dokument ist urheberrechtlich geschützt • This document is protected by copyright • Rosenberger Hochfrequenztechnik GmbH & Co. KG

RF\_35/05.10/6.0

**Electrical Data**

Impedance	50 Ω
Frequency	DC to 11 GHz
Return loss	≥ 36 dB @ DC to 4 GHz ≥ 28 dB @ 4 GHz to 6 GHz ≥ 26 dB @ 6 GHz to 10 GHz
Insertion loss	≤ 0.05 x √ f [GHz] dB
Insulation resistance	≥ 5 GΩ
Center contact resistance	≤ 2.0 mΩ, NEX10 side    ≤ 1.0 mΩ, N side
Outer contact resistance	≤ 1.0 mΩ, NEX10 side    ≤ 0.25 mΩ, N side
Test voltage	500 V rms
RF-leakage	≥ 110 dB @ DC to 6 GHz
Power handling	100 W @ 2.0 GHz and 85°C ambient temperature
Intermodulation (3 <sup>rd</sup> order)	≥ 155 dBc (2 x 43 dBm) @ 0.4 – 6.0 GHz

**Mechanical Data**

	NEX10 side	N side
Mating cycles	≥ 100	≥ 500
Recommended torque	1.5 Nm	0.7 Nm to 1.1 Nm

**Environmental Data**

Temperature range	-55 °C to +125 °C operating temperature
Thermal shock	IEC 61169-1 9.4.4
Vibration	IEC 61169-1 9.3.3 and IEC 60068-2-64
Shock	IEC 61169-1 9.3.14
Degree of protection (mated pair)	IEC 60529, IP68 24h / 1m
RoHS	compliant

**Tooling**

N/A

**Suitable Cables**

N/A

**Weight**

Weight 39.3g/pce

While the information has been carefully compiled to the best of our knowledge, nothing is intended as representation or warranty on our part and no statement herein shall be construed as recommendation to infringe existing patents. In the effort to improve our products, we reserve the right to make changes judged to be necessary.

Draft	Date	Approved	Date	Rev.	Engineering change number	Name	Date
F. Fraunhofer	26.01.2017	F. Fraunhofer	16.10.2017	300	17-v097	Tobias Stadler	16.10.2017
Rosenberger Hochfrequenztechnik GmbH & Co. KG P.O.Box 1260 D-84526 Tittmoning Germany <a href="http://www.rosenberger.de">www.rosenberger.de</a>						Tel. : +49 8684 18-0 Email : <a href="mailto:info@rosenberger.de">info@rosenberger.de</a>	
						Page 2 / 2	