

MICRO SWITCH

FED. MFR. CODE 91929

SWITCH - ENCLOSED

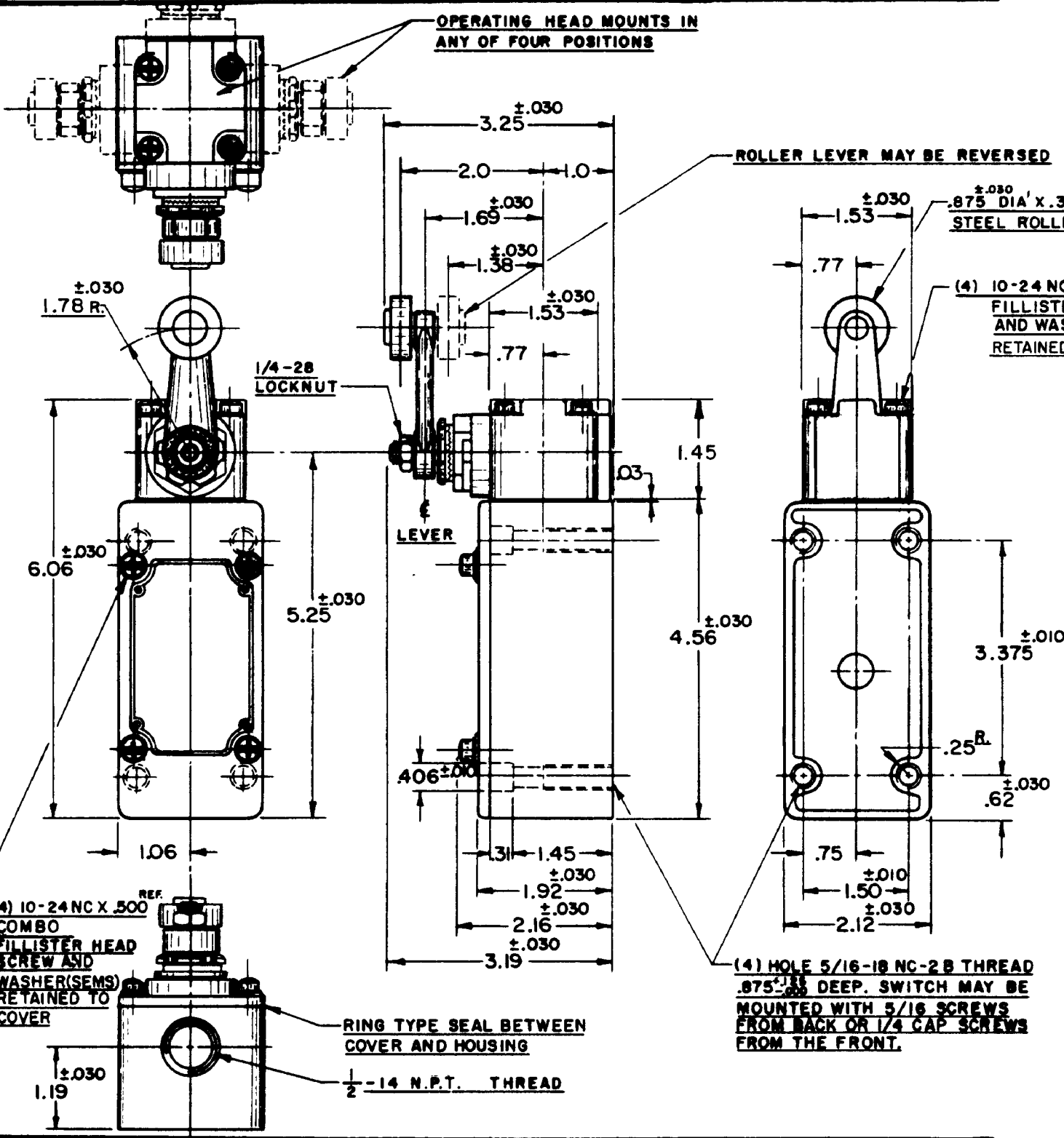
CATALOG LISTING

51ML7

THIS DRAWING COVERS A PROPRIETARY ITEM AND IS THE PROPERTY OF MICRO SWITCH, A DIVISION OF HONEYWELL. THIS DRAWING IS NOT TO BE COPIED OR USED WITHOUT THE APPROVAL OF MICRO SWITCH.

M

(M) 51ML7 ISSUE 3
 51ML7
 DRAWING NUMBER
 M
 ISSUE
 KCM 13
 CHECK K.F.M. 8 APR 58
 RELEASE NO.
 REVISIONS
 A CO11247
 O.M.W. 12 MAR 58
 B CO13487
 M.B.F. 10 MAR 59
 C CO 4233
 M.B.F. 30 DEC 59
 D CO18841
 H.B.W. 20 JAN 65
 E CO 20578
 M.B.F. 30 NOV 65
 F CO 28121
 S.R.H. 9 NOV 70
 G CO52194
 G.J.W. 23 SEP 83
 H CO55051-B
 J.A.P. 14 DEC 84
 J CO58909
 Y.S.K. 23 JAN 86
 K CO74287
 G.J.W. 16 APR 93
 O.M.W. 12 MAR 58
 DRAWN
 O.M.W. 12 MAR 58
 CHECK
 G.C.N. 14 APR 58
 FG-90978-003



- NOTES**
- 1 - IT IS ESSENTIAL TO PREVENT ENTRANCE OF HARMFUL AGENTS THRU THE CONDUIT OPENING TO OBTAIN THE FULL BENEFIT OF THE SEALED CONSTRUCTION PROVIDED IN THIS UNIT
 - 2 - SWITCH IS ASSEMBLED FOR ACTUATION IN EITHER DIRECTION
 - 3 - LEVER MAY BE POSITIVELY LOCKED AT INTERVALS OF APPROX 0.4° (870 POSITIONS)
 - 4 - LEVER MAY BE ADJUSTED TO ACTUATE THE SWITCH IN THE CLOCKWISE DIRECTION ONLY, THE COUNTER-CLOCKWISE DIRECTION ONLY, OR IN BOTH DIRECTIONS
 - 5 - TO CONVERT SWITCH FOR ACTUATION IN EITHER CLOCKWISE OR COUNTER-CLOCKWISE DIRECTION ONLY, REMOVE THE HEAD AND SLIDE THE CAM TOWARD THE REAR OF THE HEAD SUFFICIENTLY TO DISENGAGE FROM THE FLATS ON THE SHAFT. ROTATE THE CAM 90° IN THE OPPOSITE DIRECTION OF THE ACTUATION DESIRED AND RE-ENGAGE THE CAM WITH THE FLATS ON THE SHAFT
 - 6 - BASIC SWITCHING ELEMENT LISTED BY UNDERWRITERS LABORATORIES INC.

CHARACTERISTICS	ELECTRICAL DATA	SCALE 1/2 TO 1
OPERATING FORCE----- 3 LBS. MAX.	CONTACT ARRANGEMENT	DO NOT SCALE PRINT
FULL OVERTRAVEL FORCE----- 4 LBS. MAX.	D. P. D. T.	UNLESS OTHERWISE SPECIFIED
RELEASE FORCE----- 1/4 LB. MIN.	△ 10 A-125 OR 250 VAC 0.3 A-125 VDC, 0.15 A-250 VDC	DIMENSIONS ARE IN INCHES
PRETRAVEL----- ③----- 20° MAX.		TOLERANCES ARE:
DIFFERENTIAL TRAVEL----- ④----- 15° MAX.		ONE PLACE (.0) 2.000
OVERTRAVEL----- ⑤----- 50° MIN.		TWO PLACE (.00) 2.015
SWITCH-BASIC REPLACEMENT-DT-2R711-A7		THREE PLACE (.000) 2.000
		ANGLES 2
		WEIGHT