

4

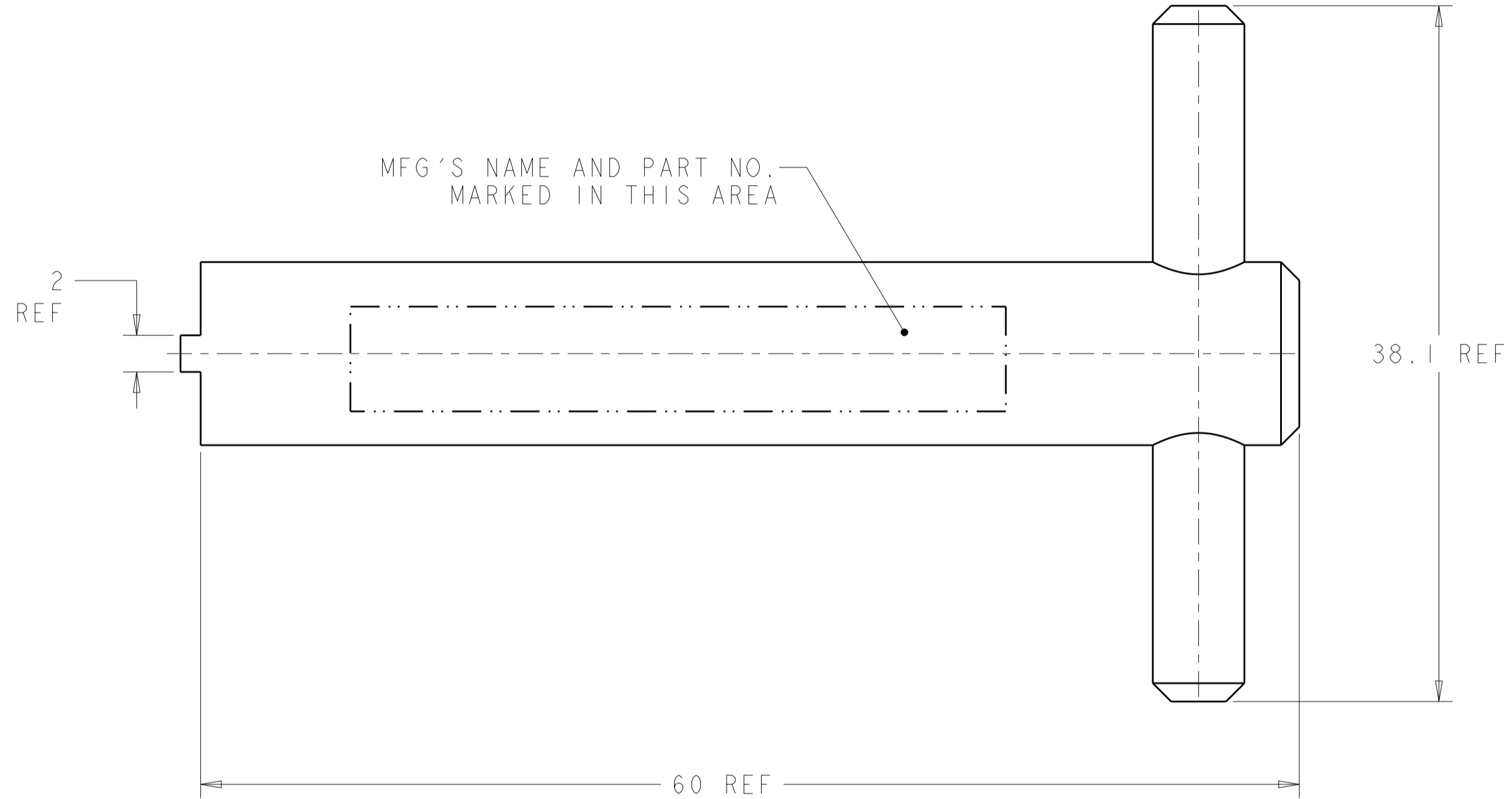
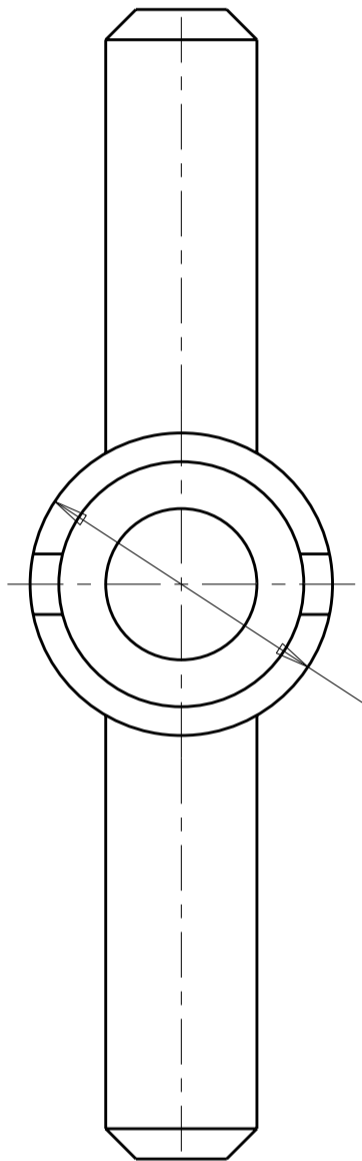
3

2

1

THIS DRAWING IS UNPUBLISHED. RELEASED FOR PUBLICATION
 © COPYRIGHT BY TYCO ELECTRONICS CORPORATION. ALL RIGHTS RESERVED.

LOC	DIST	REVISIONS			
P	LTR	DESCRIPTION	DATE	DWN	APVD
-	-	A	RELEASED PER ECO 10-026167	1-23-11	CT BW



- MAT'L: STAINLESS STEEL.
- THIS PRODUCT IS SOLD BY TYCO ELECTRONICS UNDER A LICENSE FROM RADIAL SA.

1738221-1
 PART NUMBER

THIS DRAWING IS A CONTROLLED DOCUMENT FOR TYCO ELECTRONICS CORPORATION. IT IS SUBJECT TO CHANGE AND THE CONTROLLING ENGINEERING ORGANIZATION SHOULD BE CONTACTED FOR THE LATEST REVISION.		DWN: CJV 03NOV2005	Tyco Electronics Harrisburg, PA 17105-3608	
DIMENSIONS: mm		CHK: JPM 03NOV2005	NAME: SPIGOT WRENCH FOR LOCKING DEVICE	
TOLERANCES UNLESS OTHERWISE SPECIFIED:		APVD: JPM 03NOV2005	SIZE: A200779	CAGE CODE: C-1738221
0 PLC ±-	1 PLC ±0.5	PRODUCT SPEC -	RESTRICTED TO -	
2 PLC ±0.13	3 PLC ±0.013	APPLICATION SPEC -	SCALE: 4:1	
4 PLC ±0.0001	ANGLES ±-	WEIGHT -	SHEET 1 OF 1	
MATERIAL -	FINISH -	CUSTOMER DRAWING	REV A	