

THIS DRAWING IS UNPUBLISHED.

RELEASED FOR PUBLICATION

2011

© COPYRIGHT 2011

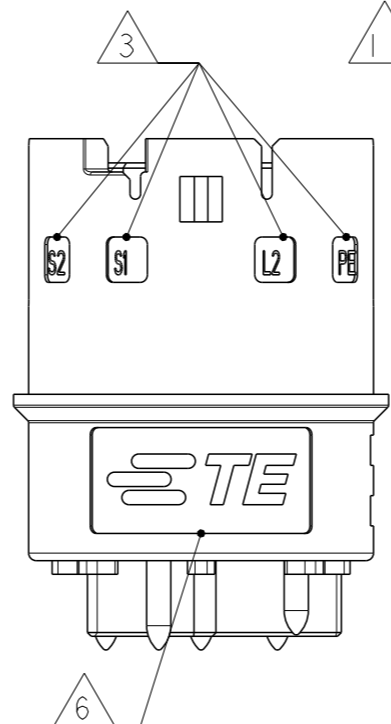
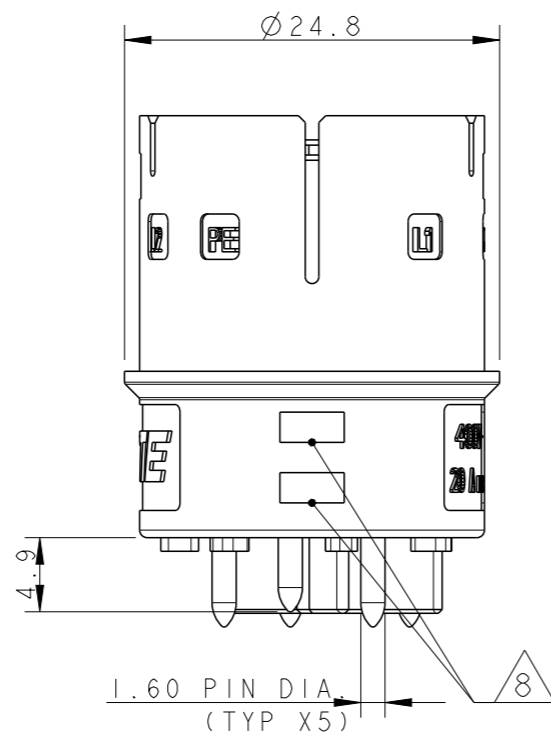
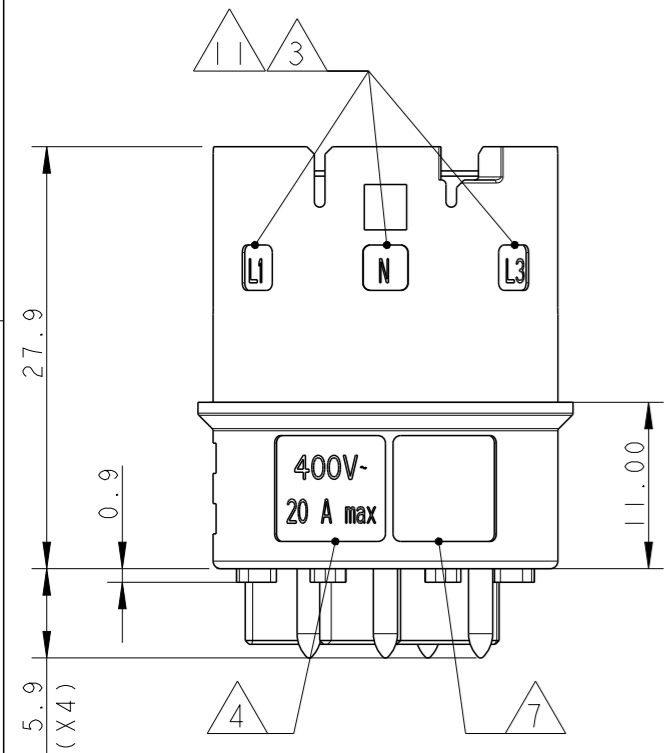
ALL RIGHTS RESERVED.

LOC 1

DIST -

REVISIONS

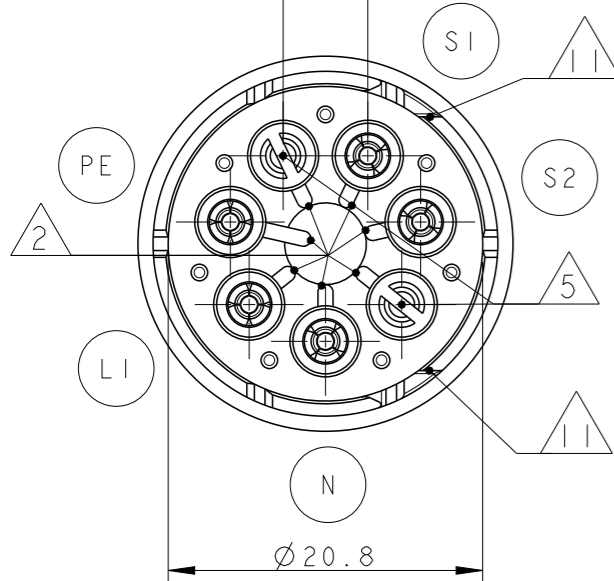
P	LTR	DESCRIPTION	DATE	DWN	APVD
6		UPDATED	22JUL2013	MZ	JC
A		PARTS RELEASED FOR PRODUCTION	13NOV2013	MZ	JC



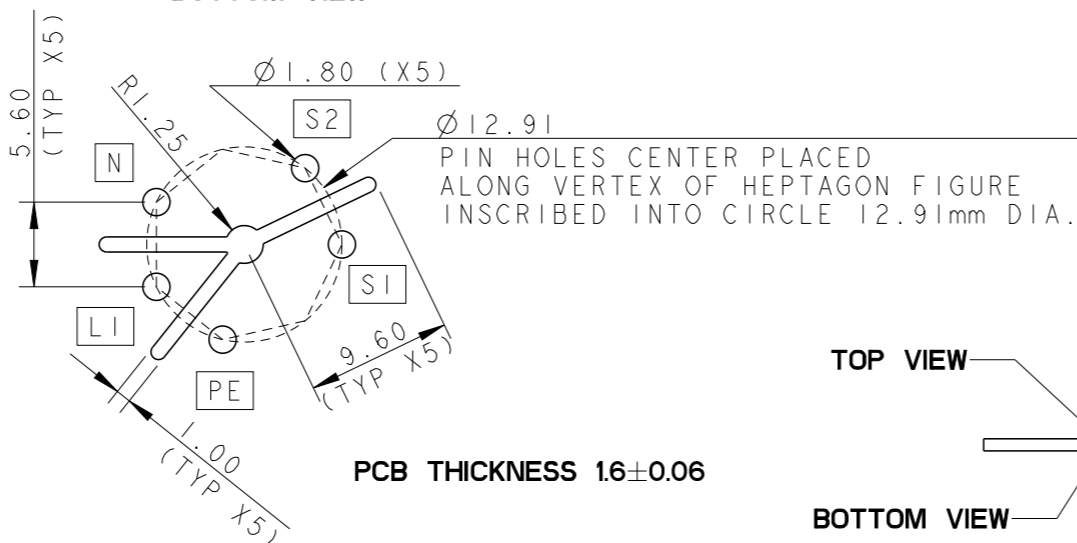
NOTES:

- 1 MATERIAL: PA GF (NATURAL COLOUR)
- 2 ALL POLARIZATION KEYS SHOWN FOR REF ONLY
- 3 WAYS I.D.
- 4 VOLTAGE AND CURRENT RATINGS
- 5 RIB CLOSING CAVITIES BY CHANGE OVER
- 6 TE LOGO
- 7 AREA FOR AGENCIES APPROVAL LOGO
- 8 VISUAL INDICATOR FOR PE CONDUCTOR
- 9) SEE C-DRAWING 293682 (LOCKING CAP) TO GET IP 40
- 10 POLARISATION KEY "TYPE D" SUITABLE FOR DALI APPLICATION
- 11 SLOTS TO ALLOW DELATCHING TOOL OPERATION. FOR DELATCHING TOOL AND OPERATION REFER TO APPLICATION SPECIFICATION

5.60 PITCH (TYP X7)



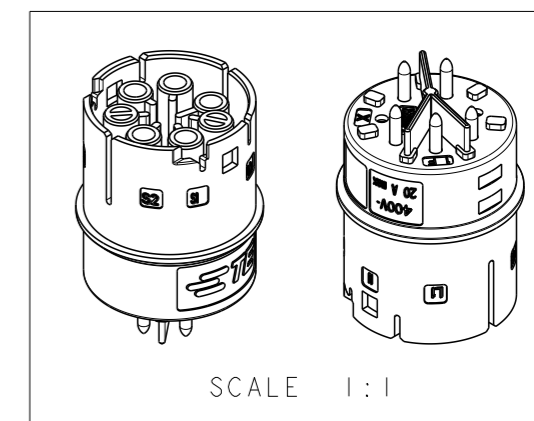
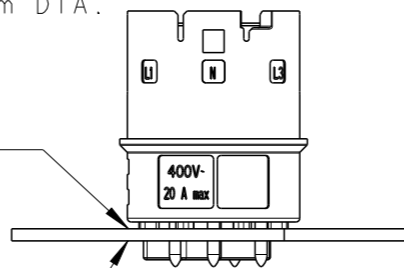
PCB CUT-OUT AND HOLES DIMENSIONS (±0.03)  
BOTTOM VIEW



PCB THICKNESS 1.6±0.06

TOP VIEW

BOTTOM VIEW



THIS DRAWING IS A CONTROLLED DOCUMENT.

DWN M. ZUCCA 04APR2011

CHK M. ZUCCA 04APR2011

APVD G. TURCO 04APR2011

PRODUCT SPEC

APPLICATION SPEC

WEIGHT

Customer Drawing



TE Connectivity

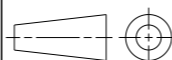
NAME SOCKET CONNECTOR PCB VERSION  
NECTOR\* M-LINE 5 POLES

SIZE CAGE CODE DRAWING NO RESTRICTED TO

A300779 C-293696

SCALE 2:1 SHEET 1 OF 2 REV A

DIMENSIONS:  
mm



TOLERANCES UNLESS OTHERWISE SPECIFIED:

- 0 PLC ±-
- 1 PLC ±0.3
- 2 PLC ±0.20
- 3 PLC ±-
- 4 PLC ±-
- ANGLES ±3°
- FINISH -

MATERIAL

THIS DRAWING IS UNPUBLISHED.

RELEASED FOR PUBLICATION

2011

© COPYRIGHT 2011

ALL RIGHTS RESERVED.

LOC 1 DIST -

REVISIONS

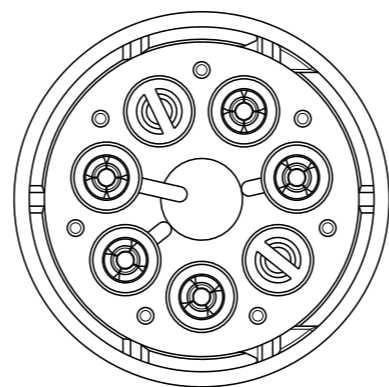
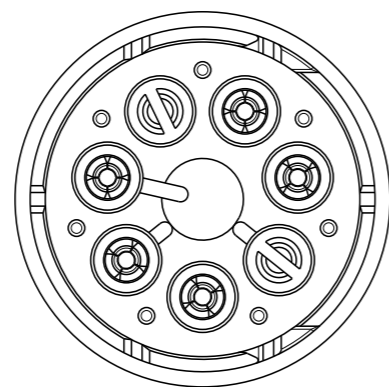
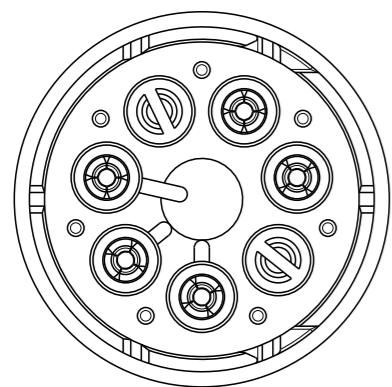
P	LTR	DESCRIPTION	DATE	DWN	APVD
-	-	SEE SHEET 1	-	-	-

POLARIZATION TYPES

POLARIZATION TYPE "A"

POLARIZATION TYPE "B"

POLARIZATION TYPE "C"



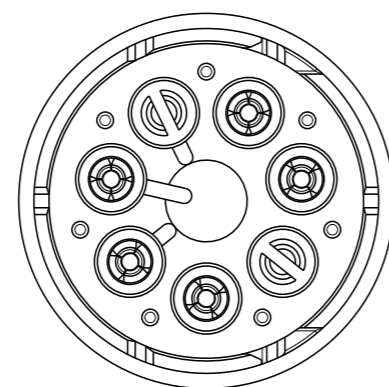
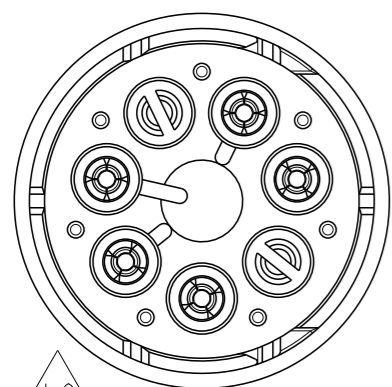
PN 0-293696-1

PN 0-293696-2

PN 0-293696-3

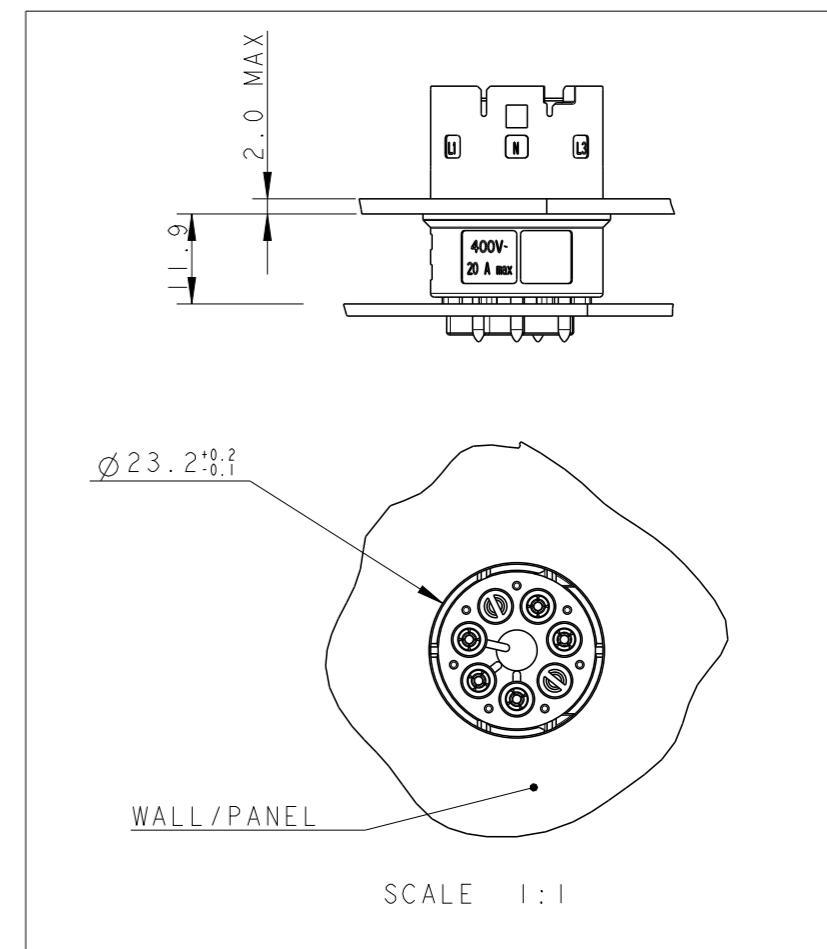
POLARIZATION TYPE "D"

POLARIZATION TYPE "E"



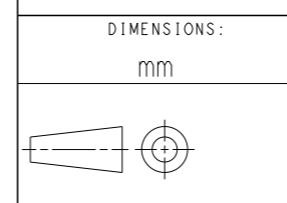
PN 0-293696-4

PN 0-293696-5



	E	NATURAL	SOCKET PCB CONNECTOR, NECTOR* M-LINE 5 POLES	A	0-293696-5
	D	NATURAL	SOCKET PCB CONNECTOR, NECTOR* M-LINE 5 POLES	A	0-293696-4
	C	NATURAL	SOCKET PCB CONNECTOR, NECTOR* M-LINE 5 POLES	A	0-293696-3
	B	NATURAL	SOCKET PCB CONNECTOR, NECTOR* M-LINE 5 POLES	A	0-293696-2
	A	NATURAL	SOCKET PCB CONNECTOR, NECTOR* M-LINE 5 POLES	A	0-293696-1
NOTE	POL. KEYING	COLOUR	DESCRIPTION	REV.	PART NUMBER

THIS DRAWING IS A CONTROLLED DOCUMENT.



MATERIAL - FINISH -

DIMENSIONS:		TOLERANCES UNLESS OTHERWISE SPECIFIED:	
	mm		
0 PLC		±	
1 PLC		±0.3	
2 PLC		±0.20	
3 PLC		±	
4 PLC		±	
ANGLES		±3°	

DWN	M. ZUCCA	04APR2011
CHK	M. ZUCCA	04APR2011
APVD	G. TURCO	04APR2011
PRODUCT SPEC	-	
APPLICATION SPEC	-	
WEIGHT	-	

			TE Connectivity		
NAME SOCKET CONNECTOR PCB VERSION NECTOR* M-LINE 5 POLES					
SIZE	CAGE CODE	DRAWING NO	RESTRICTED TO		
A3	00779	C-293696	-		

Customer Drawing	SCALE 2:1	SHEET 2 OF 2	REV A
------------------	-----------	--------------	-------