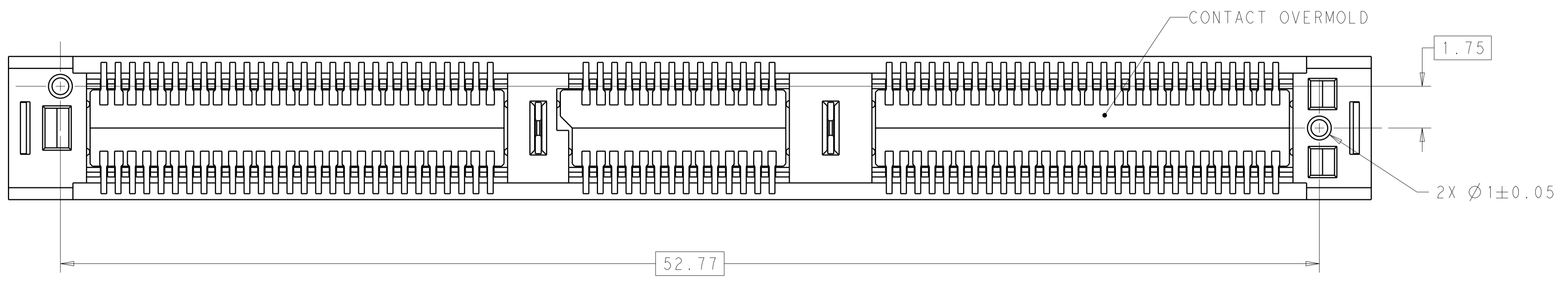
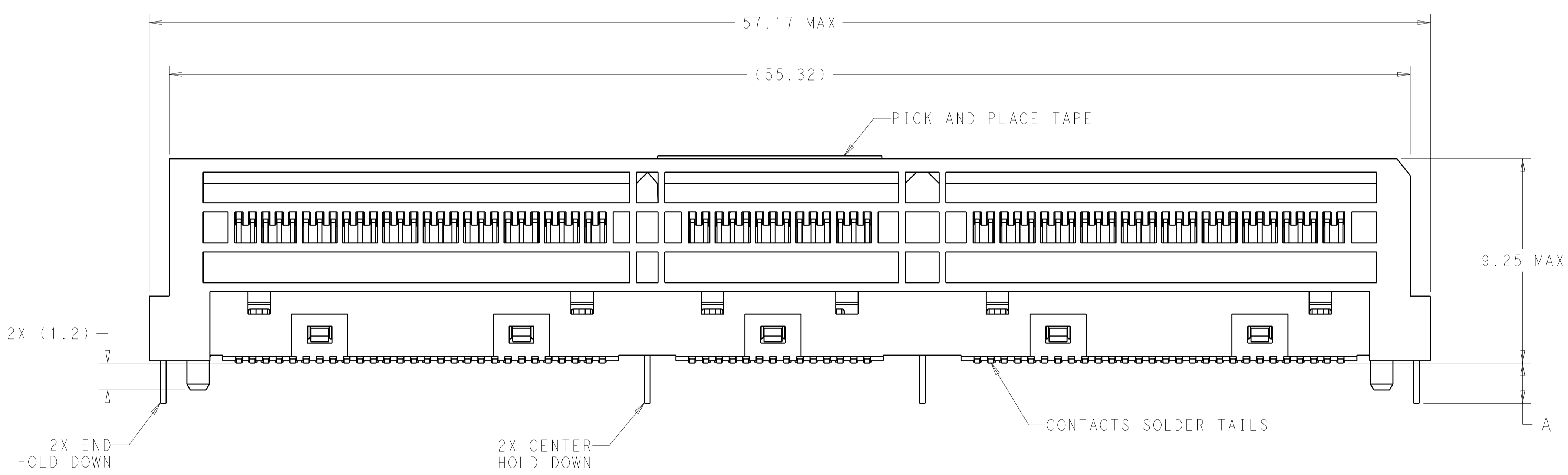
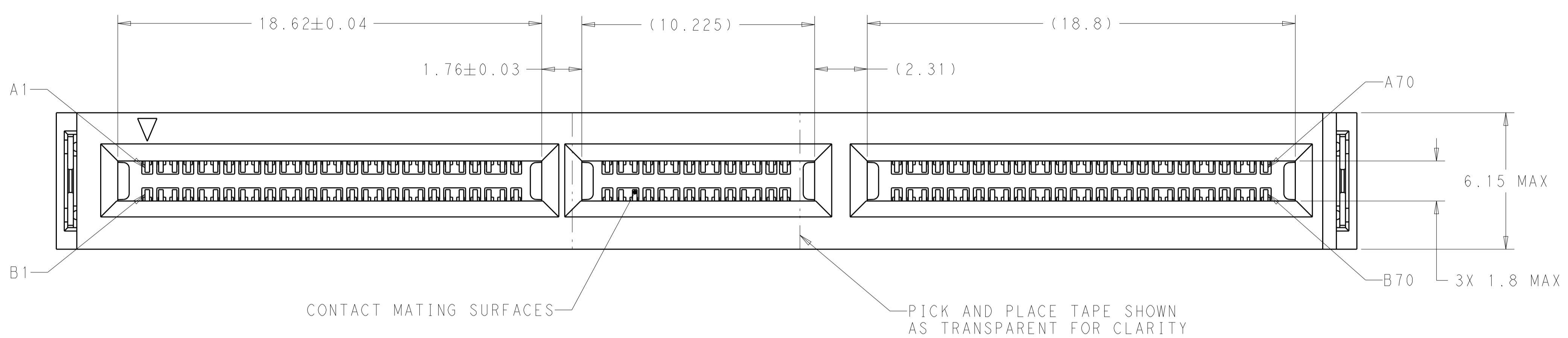
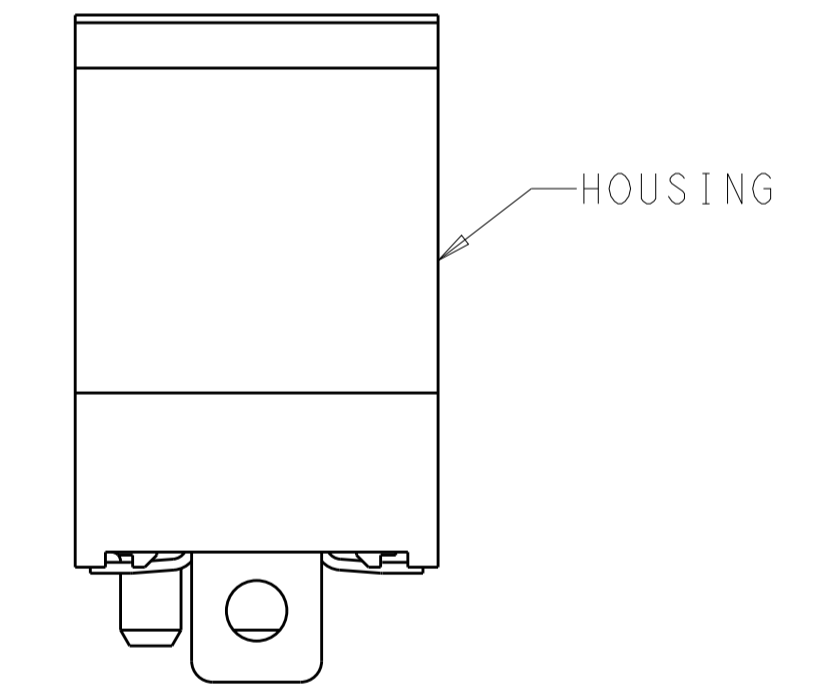


REVISIONS					
P.	LTN	DESCRIPTION	DATE	DMN	APVD
9		REV SHEET 4 TABLE, ADDED PART NUMBERS	15NOV2018	MS	DH
10		REVISED SHEET 4 TABLE, PLATING COLUMN	22FEB2019	MS	DH



- 1 HOUSING AND CONTACT OVERMOLDS - LCP, UL94-V0. BLACK.
 CONTACTS AND HOLD DOWNS - COPPER ALLOY.
 PICK AND PLACE TAPE - POLYIMIDE FILM.
- 2 CONTACTS - GOLD PLATE ON MATING SURFACES,
 TIN PLATE ON SOLDER FEET.
 HOLD DOWNS - TIN PLATE.
- 3 DATUMS AND BASIC DIMENSIONS ESTABLISHED BY CUSTOMER.
- 4. MINIMUM HOST PCB THICKNESS: 1.5.
- 5 SEE MSA SPECIFICATION FOR ADDITIONAL PADDLE CARD LAYOUTS COMPATIBLE WITH THIS RECEPTACLE AND FOR OPTIONAL SPLIT CONTACT PAD LAYOUTS FOR THE PADDLE CARD. SPECIFICATION PINOUT MAY ALSO DESIGNATE PAD SEQUENCE DIFFERENT FROM ILLUSTRATION.
- 6 POSITIONS DESIGNATED AS "SIGNAL" ARE REQUIRED LOCATIONS FOR HIGH SPEED DIFFERENTIAL PAIR SIGNALING. THESE LOCATIONS MAY ALSO BE USED FOR SUPPORTING SIDEBAND SIGNALS OR OTHER UTILITY PURPOSES. POSITIONS DESIGNATED AS "GROUND" ARE REQUIRED WHEN SUPPORTING HIGH SPEED DIFFERENTIAL SIGNALS. THESE LOCATIONS MAY ALSO BE USED FOR SIDEBAND SIGNALS OR OTHER UTILITY PURPOSES.
- 7 COMPONENT AND TRACE KEEP OUT AREA. EACH EDGE 0.15 MIN FROM EDGE OF HOLE.
- 8 TAPE AND REEL PACKAGED FOR PICK AND PLACE SMT PROCESSING, SEE FIGURE 1. POCKET TAPE WIDTH = 72.

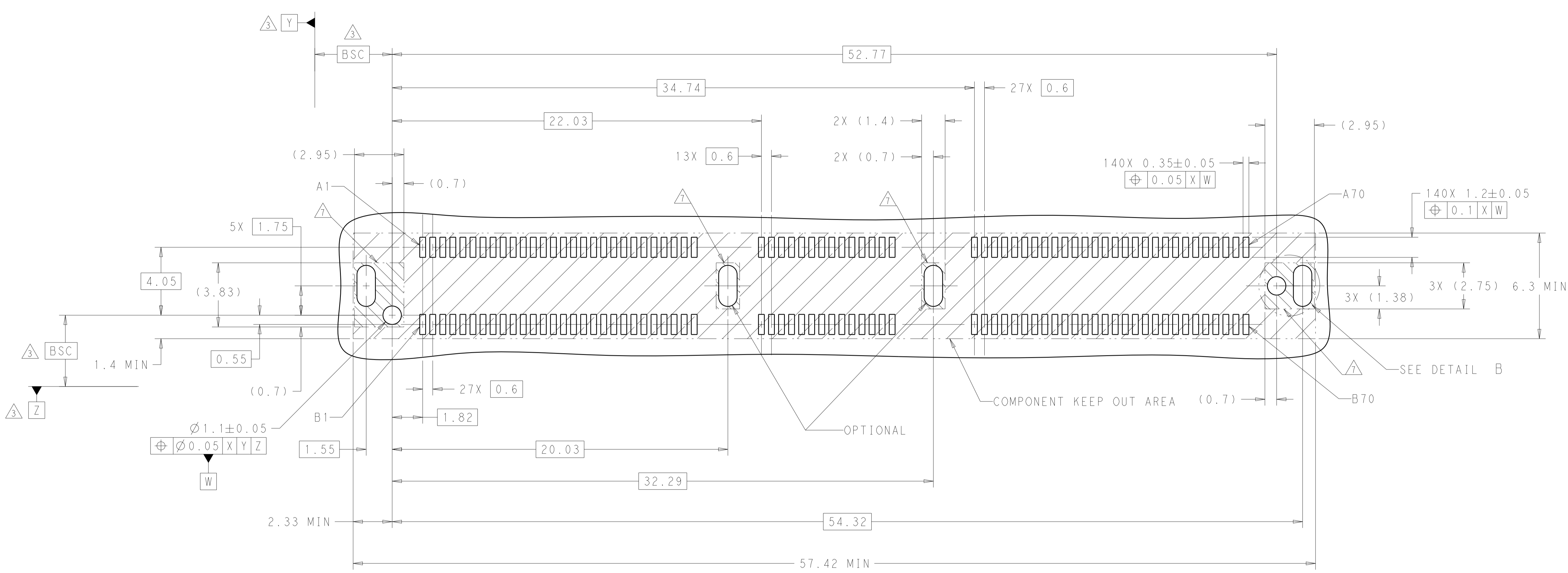


THIS PRINT IS
PRELIMINARY
 UNQUALIFIED PRODUCT
 CONTACT PRODUCT ENGINEERING
 BEFORE USING THIS PRINT

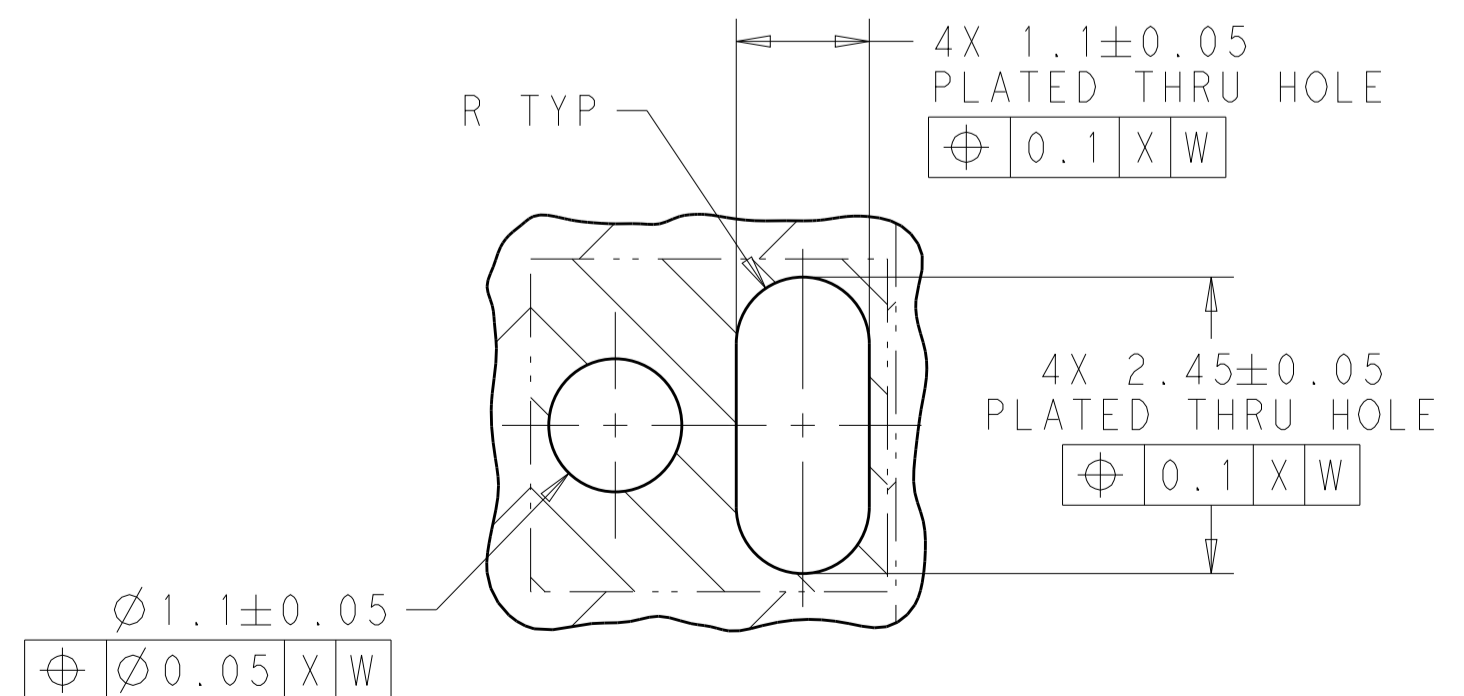
SEE SHEET 4
 FOR PART TABLE

THIS DRAWING IS A CONTROLLED DOCUMENT.		DMN: C. VALENTINE 16 JAN 2018	
DIMENSIONS: mm		CHK: D. HARMON 16 JAN 2018	
TOLERANCES UNLESS OTHERWISE SPECIFIED:		APVD: D. HARMON 16 JAN 2018	PRELIMINARY RECEPTACLE ASSEMBLY, VERTICAL 140 POSITION, SLIVER 2.0
0 PLC ± 2 PLC ± 3 PLC ± 4 PLC ± ANGLES ±		PRODUCT SPEC: 108-130021 APPLICATION SPEC: 114-130008 WEIGHT: -	
MATERIAL: 1		FINISH: 2	SIZE: A1 CAGE CODE: 00779 DRAWING NO: C=2327677 CUSTOMER DRAWING
4805 (3/13)		SCALE: 8:1	SHEET 1 OF 4 REV 10

REVISIONS				
P.	LTN.	DESCRIPTION	DATE	APVD.
-	-	SEE SHEET 1	-	-



RECOMMENDED PCB LAYOUT AND KEEP OUT AREA

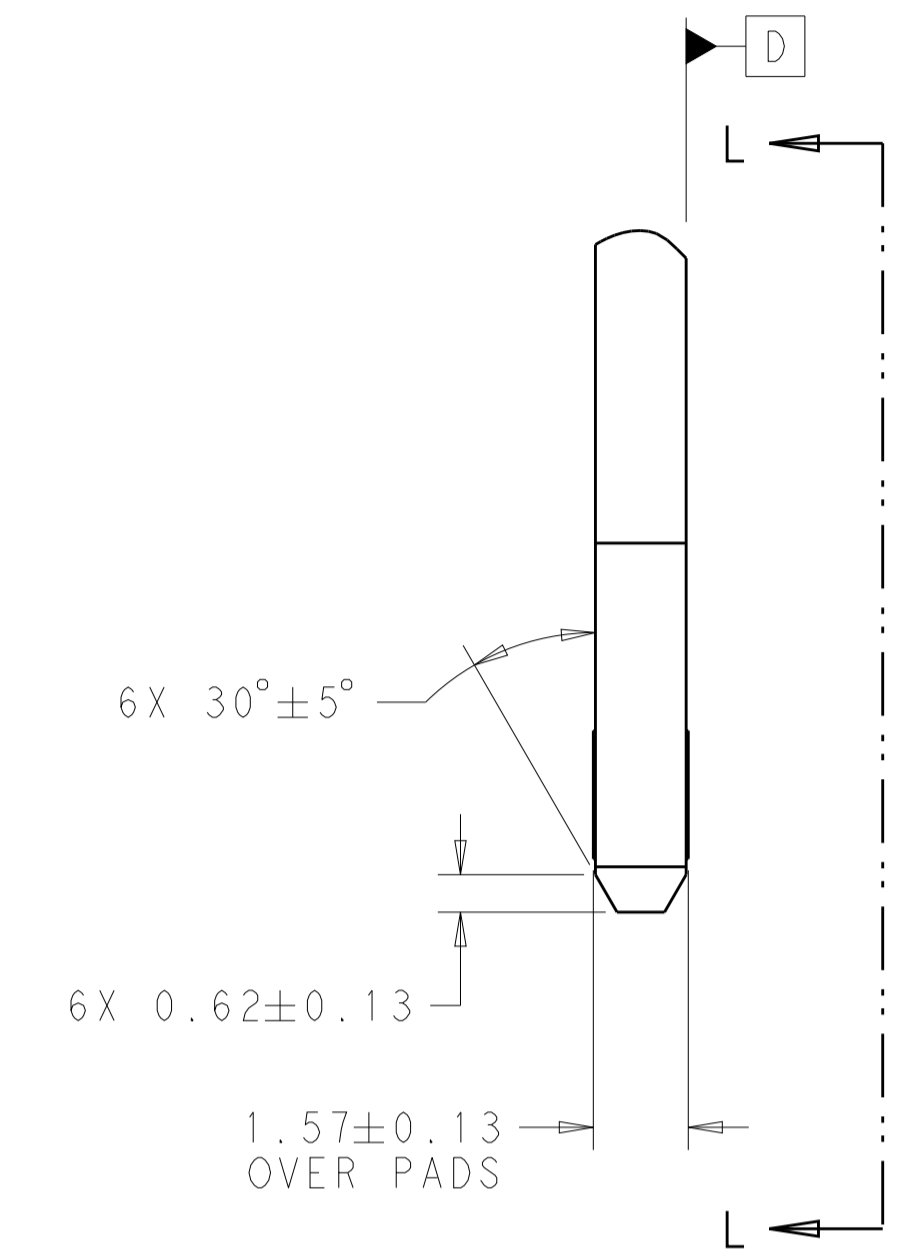
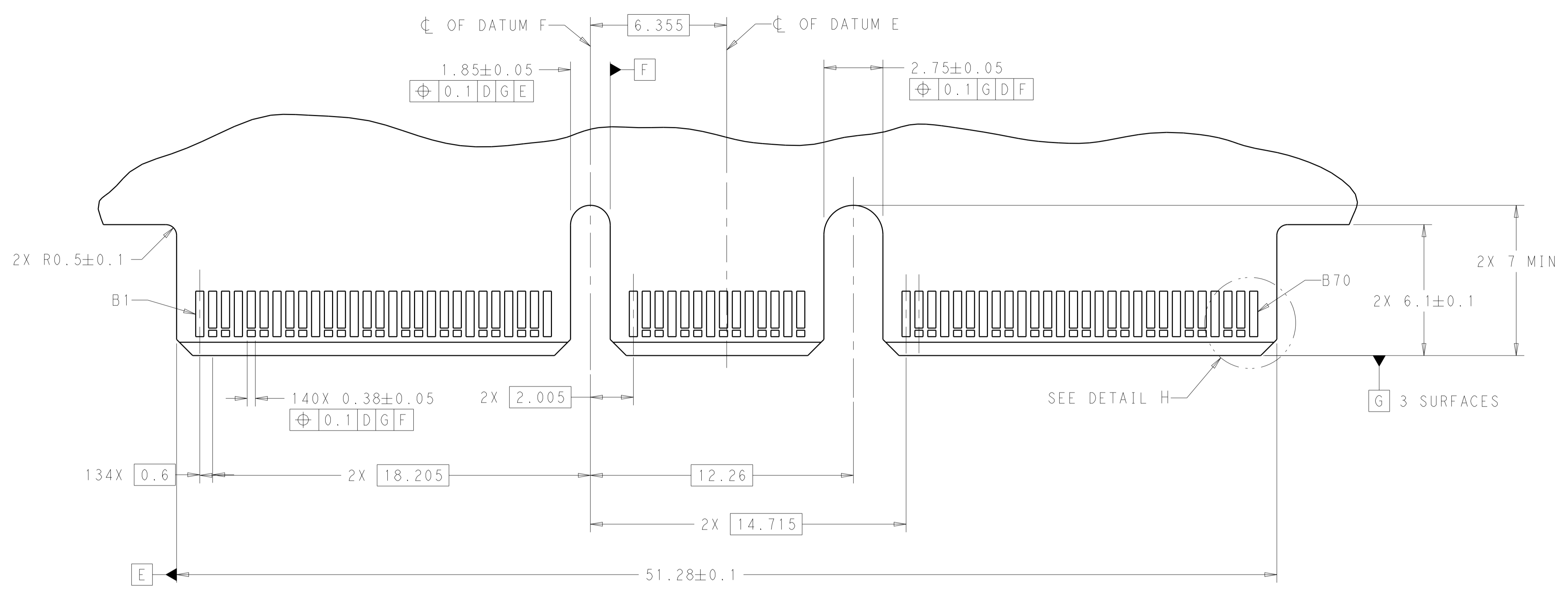


DETAIL B SCALE 16:1

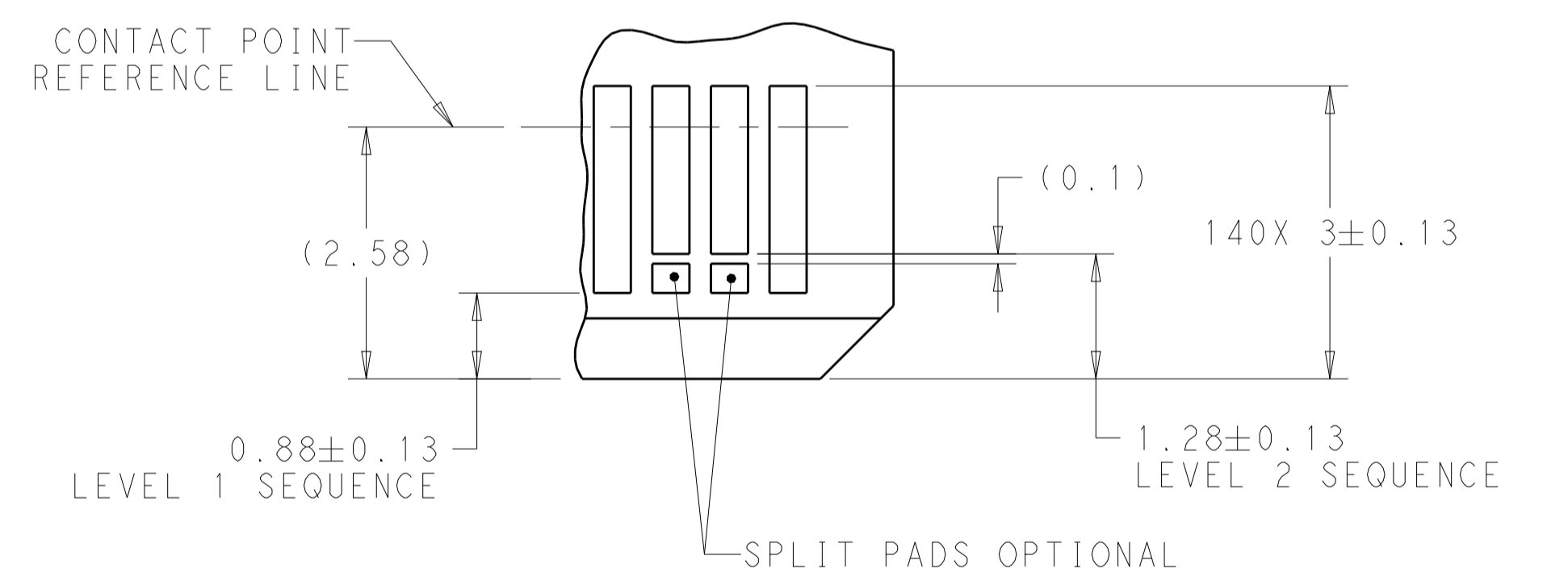
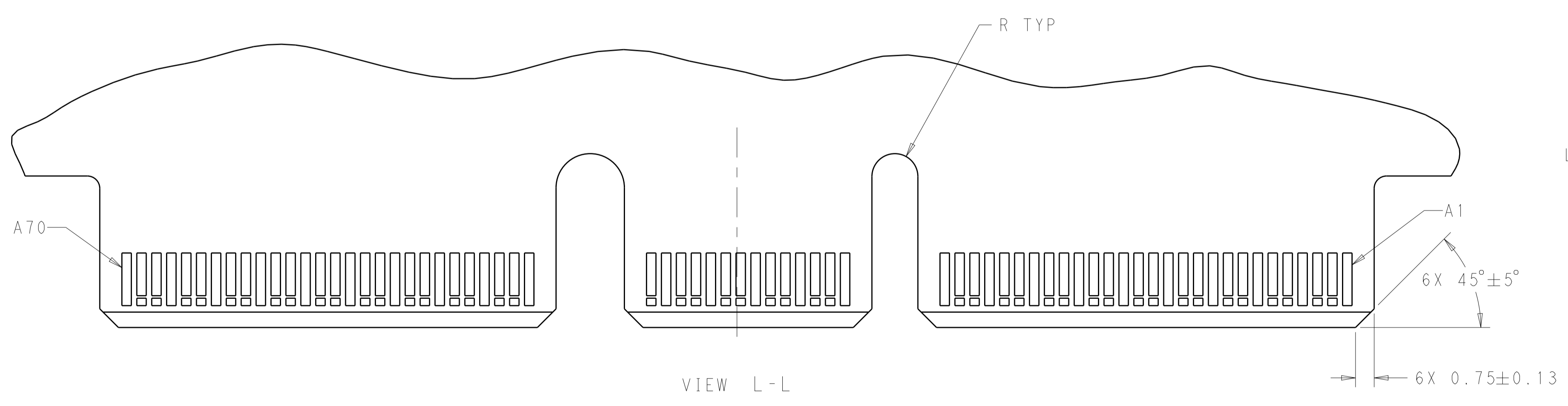
THIS PRINT IS
PRELIMINARY
 UNQUALIFIED PRODUCT
 CONTACT PRODUCT ENGINEERING
 BEFORE USING THIS PRINT

THIS DRAWING IS A CONTROLLED DOCUMENT.		DWN: C. VALENTINE 16 JAN 2018	TE Connectivity
DIMENSIONS: mm		CHK: D. HARMON 16 JAN 2018	
TOLERANCES UNLESS OTHERWISE SPECIFIED:		APVD: D. HARMON 16 JAN 2018	NAME: RECEPTACLE ASSEMBLY, VERTICAL, 140 POSITION, SLIVER 2.0
0 PLC	±	PRODUCT SPEC	SIZE: CAGE CODE DRAWING NO
1 PLC	±	108-130021	A100779C=2327677
2 PLC	±	APPLICATION SPEC	RESTRICTED TO
3 PLC	±	114-130008	SCALE 8:1 SHEET 2 OF 4 REV 10
4 PLC	±	WEIGHT	
ANGLES	±	CUSTOMER DRAWING	

REVISIONS				
REV	DATE	DESCRIPTION	BY	APPV
-	-	SEE SHEET 1	-	-



RECOMMENDED PCB OUTLINE DIMENSIONS.
 TOLERANCE VALUES ARE CRITICAL. PLEASE BE SURE TO DESIGNATE TOLERANCES TO PCB SUPPLIER TO ENSURE OPTIMIZED FUNCTIONALITY.



DETAIL H
 SCALE 16:1

THIS PRINT IS
PRELIMINARY
 UNQUALIFIED PRODUCT
 CONTACT PRODUCT ENGINEERING
 BEFORE USING THIS PRINT

THIS DRAWING IS A CONTROLLED DOCUMENT.		DWN: C. VALENTINE 16 JAN 2018 CHK: D. HARMON 16 JAN 2018 APV: D. HARMON 16 JAN 2018	TE Connectivity
DIMENSIONS: mm TOLERANCES UNLESS OTHERWISE SPECIFIED: 0 PLC ± 1 PLC ± 2 PLC ± 3 PLC ± 4 PLC ± ANGLES ±	PRODUCT SPEC: 108-130021 APPLICATION SPEC: 114-130008 WEIGHT: -	NAME: RECEPTACLE ASSEMBLY, VERTICAL, 140 POSITION, SLIVER 2.0 SIZE: A1 CAGE CODE: 00779 DRAWING NO: C=2327677	
MATERIAL: -		FINISH: -	RESTRICTED TO: - SCALE: 8:1 SHEET: 3 OF 4 REV: 10

REVISIONS				
P.	LTN.	DESCRIPTION	DATE	APVD.
-	-	SEE SHEET 1	-	-

TABLE 1: CONNECTOR CONTACT IDENTIFICATION \triangle \triangle

CONTACT NUMBER	SIDE A	SIDE B	CONTACT NUMBER	SIDE A	SIDE B
1	GROUND	GROUND	36	SIGNAL	SIGNAL
2	SIGNAL	SIGNAL	37	SIGNAL	SIGNAL
3	SIGNAL	SIGNAL	38	GROUND	GROUND
4	GROUND	GROUND	39	SIGNAL	SIGNAL
5	SIGNAL	SIGNAL	40	SIGNAL	SIGNAL
6	SIGNAL	SIGNAL	41	GROUND	GROUND
7	GROUND	GROUND	42	GROUND	GROUND
8	SIGNAL	SIGNAL	43	GROUND	GROUND
9	SIGNAL	SIGNAL	44	SIGNAL	SIGNAL
10	GROUND	GROUND	45	SIGNAL	SIGNAL
11	SIGNAL	SIGNAL	46	GROUND	GROUND
12	SIGNAL	SIGNAL	47	SIGNAL	SIGNAL
13	GROUND	GROUND	48	SIGNAL	SIGNAL
14	SIGNAL	SIGNAL	49	GROUND	GROUND
15	SIGNAL	SIGNAL	50	SIGNAL	SIGNAL
16	GROUND	GROUND	51	SIGNAL	SIGNAL
17	SIGNAL	SIGNAL	52	GROUND	GROUND
18	SIGNAL	SIGNAL	53	SIGNAL	SIGNAL
19	GROUND	GROUND	54	SIGNAL	SIGNAL
20	SIGNAL	SIGNAL	55	GROUND	GROUND
21	SIGNAL	SIGNAL	56	SIGNAL	SIGNAL
22	GROUND	GROUND	57	SIGNAL	SIGNAL
23	SIGNAL	SIGNAL	58	GROUND	GROUND
24	SIGNAL	SIGNAL	59	SIGNAL	SIGNAL
25	GROUND	GROUND	60	SIGNAL	SIGNAL
26	SIGNAL	SIGNAL	61	GROUND	GROUND
27	SIGNAL	SIGNAL	62	SIGNAL	SIGNAL
28	GROUND	GROUND	63	SIGNAL	SIGNAL
29	GROUND	GROUND	64	GROUND	GROUND
30	SIGNAL	SIGNAL	65	SIGNAL	SIGNAL
31	SIGNAL	SIGNAL	66	SIGNAL	SIGNAL
32	GROUND	GROUND	67	GROUND	GROUND
33	SIGNAL	SIGNAL	68	SIGNAL	SIGNAL
34	SIGNAL	SIGNAL	69	SIGNAL	SIGNAL
35	GROUND	GROUND	70	GROUND	GROUND

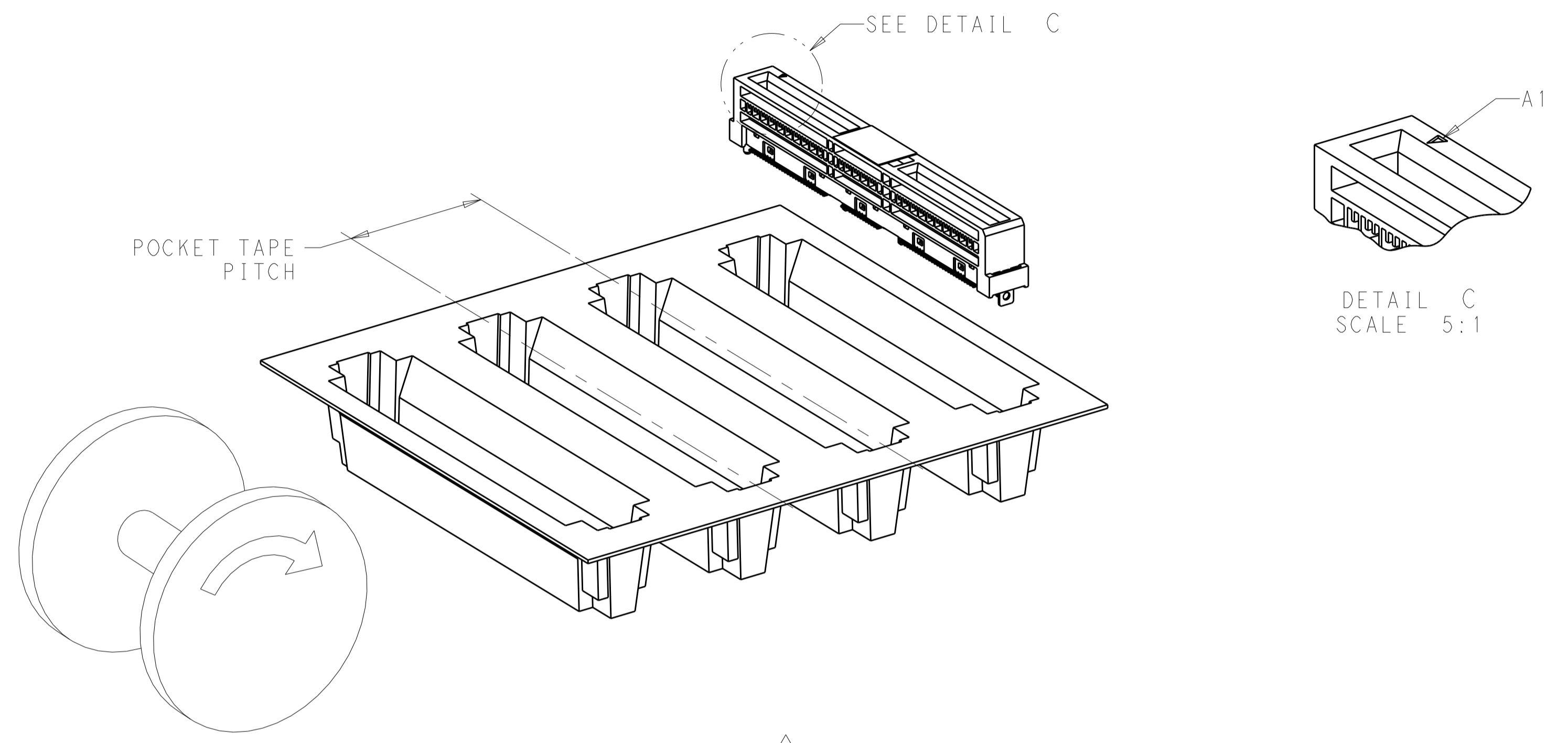


FIGURE 1 \triangle
 DIRECTION OFF TOP OF REEL
 FOR USER UNREELING
 SHOWN AS 2327677-1 THRU 2327677-9
 SCALE 2:1

1.4 MAX	ENDS	0.76 μ m Au 0.38 μ m Au FLASH Au/PdNi	24	250	NO	200 100 50	1-2327677-9 1-2327677-8 1-2327677-7
1.7 MIN	ENDS	0.76 μ m Au 0.38 μ m Au FLASH Au/PdNi	24	250	NO	200 100 50	1-2327677-6 1-2327677-5 1-2327677-4
1.7 MIN	ALL	0.76 μ m Au 0.38 μ m Au FLASH Au/PdNi	24	250	NO	200 100 50	1-2327677-3 1-2327677-2 1-2327677-1
1.4 MAX	ENDS	0.76 μ m Au 0.38 μ m Au FLASH Au/PdNi	20	350	YES	200 100 50	2327677-9 2327677-8 2327677-7
1.7 MIN	ENDS	0.76 μ m Au 0.38 μ m Au FLASH Au/PdNi	20	350	YES	200 100 50	2327677-6 2327677-5 2327677-4
1.7 MIN	ALL	0.76 μ m Au 0.38 μ m Au FLASH Au/PdNi	20	350	YES	200 100 50	2327677-3 2327677-2 2327677-1
A	HOLD DOWNS	PLATING	POCKET TAPE PITCH	REEL QUANTITY	PICK AND PLACE TAPE	MATING CYCLES	PART NUMBER

THIS PRINT IS
PRELIMINARY
 UNQUALIFIED PRODUCT
 CONTACT PRODUCT ENGINEERING
 BEFORE USING THIS PRINT

THIS DRAWING IS A CONTROLLED DOCUMENT.

DIMENSIONS:	TOLERANCES UNLESS OTHERWISE SPECIFIED:	OWN: C. VALENTINE 16 JAN 2018	TE Connectivity
mm	0 PLC \pm	CHK: D. HARMON 16 JAN 2018	RECEPTACLE ASSEMBLY, VERTICAL, 140 POSITION, SLIVER 2.0
	1 PLC \pm	APVD: D. HARMON 16 JAN 2018	SIZE: A1
MATERIAL:	2 PLC \pm	PRODUCT SPEC: 108-130021	CAGE CODE: 114-130008
	3 PLC \pm	APPLICATION SPEC: 114-130008	SCALE: 8:1
	4 PLC \pm	WEIGHT: -	SHEET 4 OF 4
	ANGLES \pm	CUSTOMER DRAWING	REV 10
	FINISH \pm		