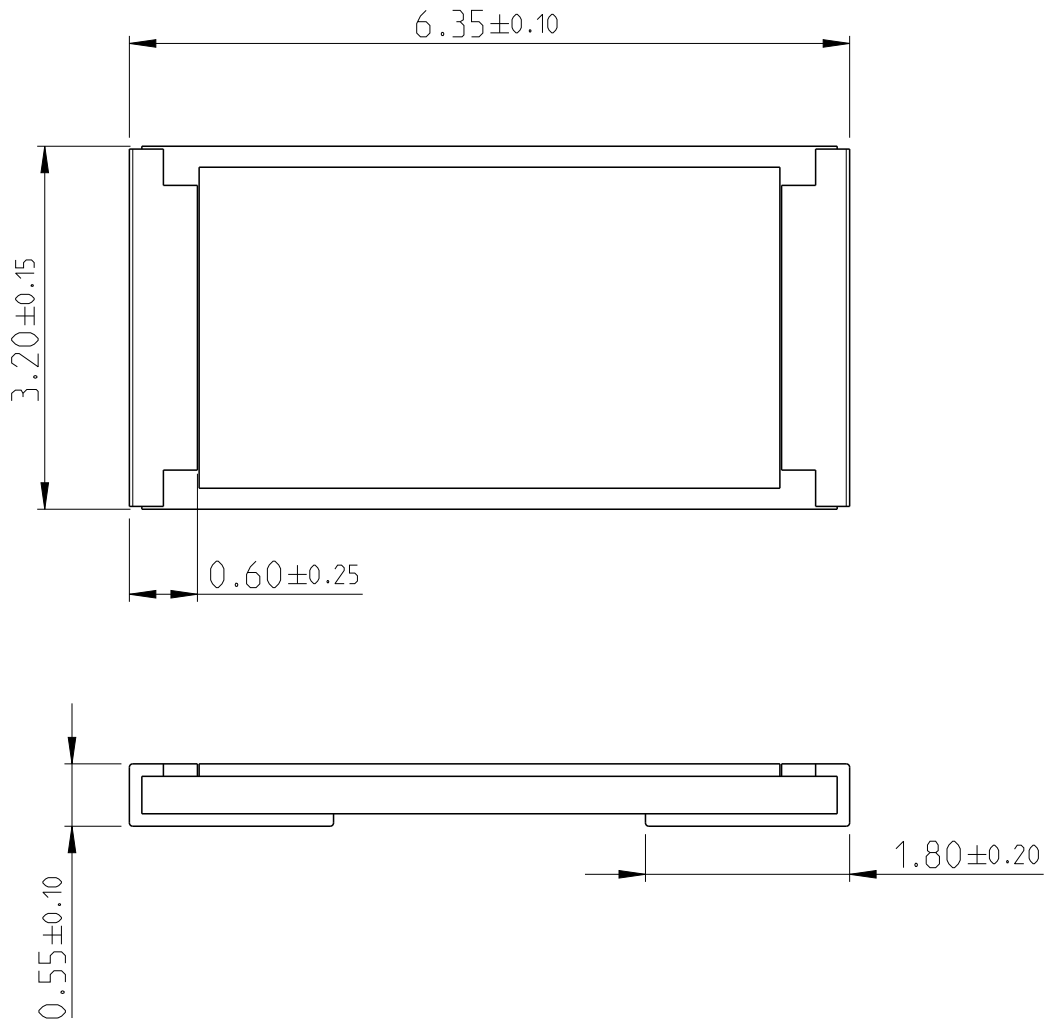
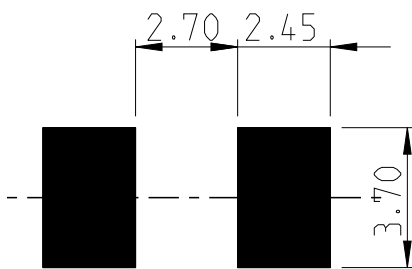


LOC	DIST	REVISIONS					
-	-	P	LTR	DESCRIPTION	DATE	DWN	APVD
		BB1	ECR-15-009470		24 JUN 2015	KR	TN

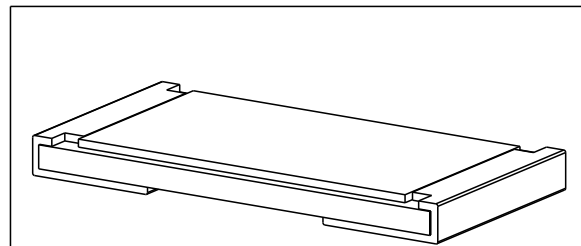


FOR FURTHER INFORMATION SEE PRODUCT SPECIFICATION FOR CRGH SERIES



PCB LAYOUT PLAN

RoHS Compliant



20


RELEASED FOR PUBLICATION

ALL RIGHTS RESERVED.

THIS DRAWING IS UNPUBLISHED.

BY -

© COPYRIGHT 20

DIMENSIONS:	DWN	27 JUN 2012	MATERIAL	FINISH		
mm	RAGHAVENDRA K		-	-		
TOLERANCES UNLESS OTHERWISE SPECIFIED:	CHK	27 JUN 2012	 TE Connectivity			
	ALLAN P					
0 PLC ±	APVD	27 JUN 2012	NAME SMD POWER RESISTORS - TYPE CRGH2512 SERIES			
1 PLC ±0.5	TONY N					
2 PLC ±0.13	PRODUCT SPEC		SIZE	CAGE CODE	DRAWING NO	RESTRICTED TO
3 PLC ±0.013	-		A 4	00779	C-1879525	-
4 PLC ±0.0001	APPLICATION SPEC		SCALE 40:1 SHEET 1 OF 1 REV BB1			
ANGLES ±	-					
	WEIGHT	-	Customer Drawing			

