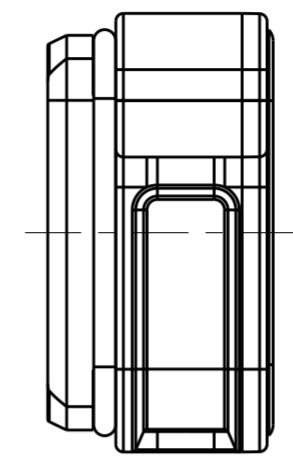
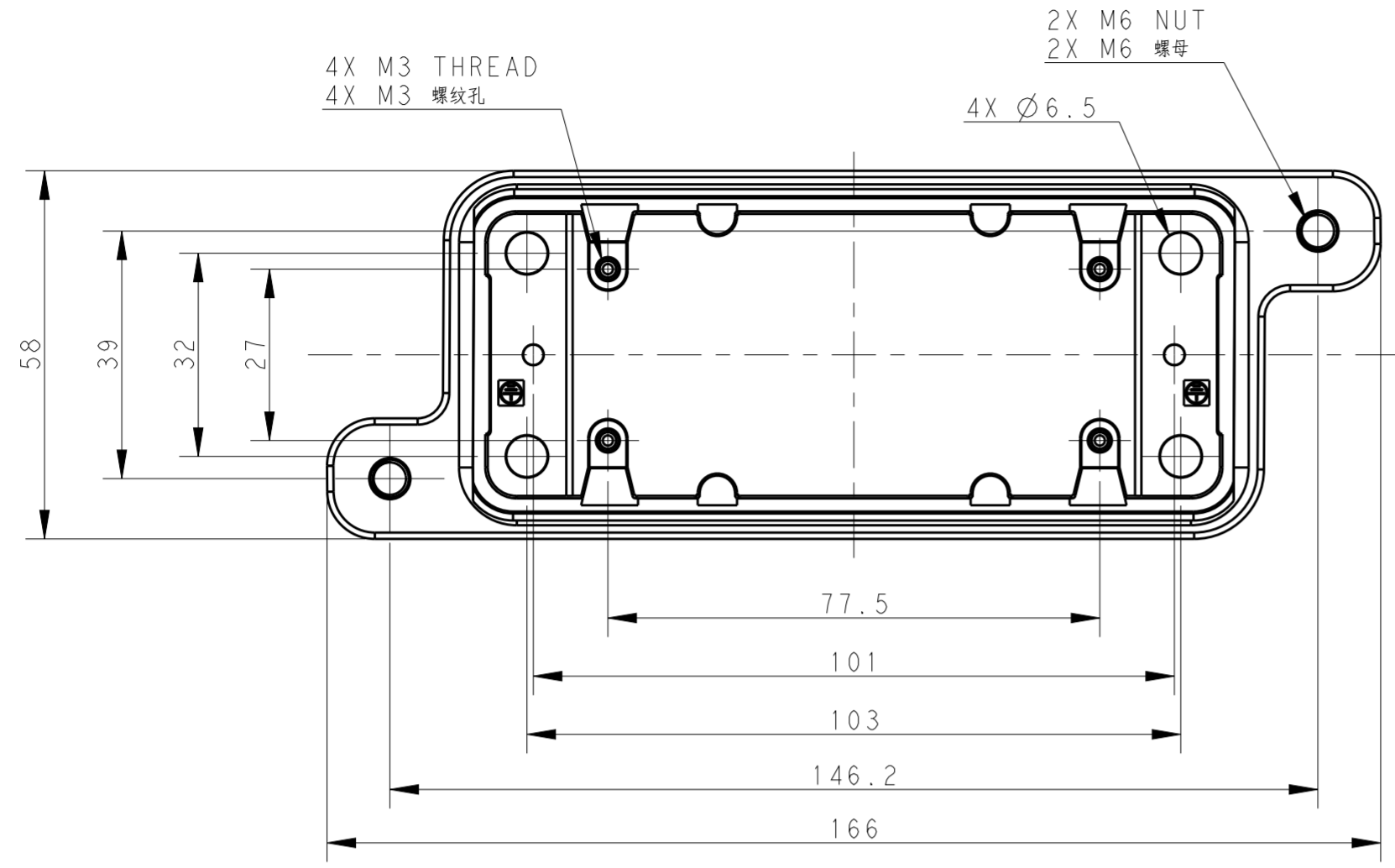


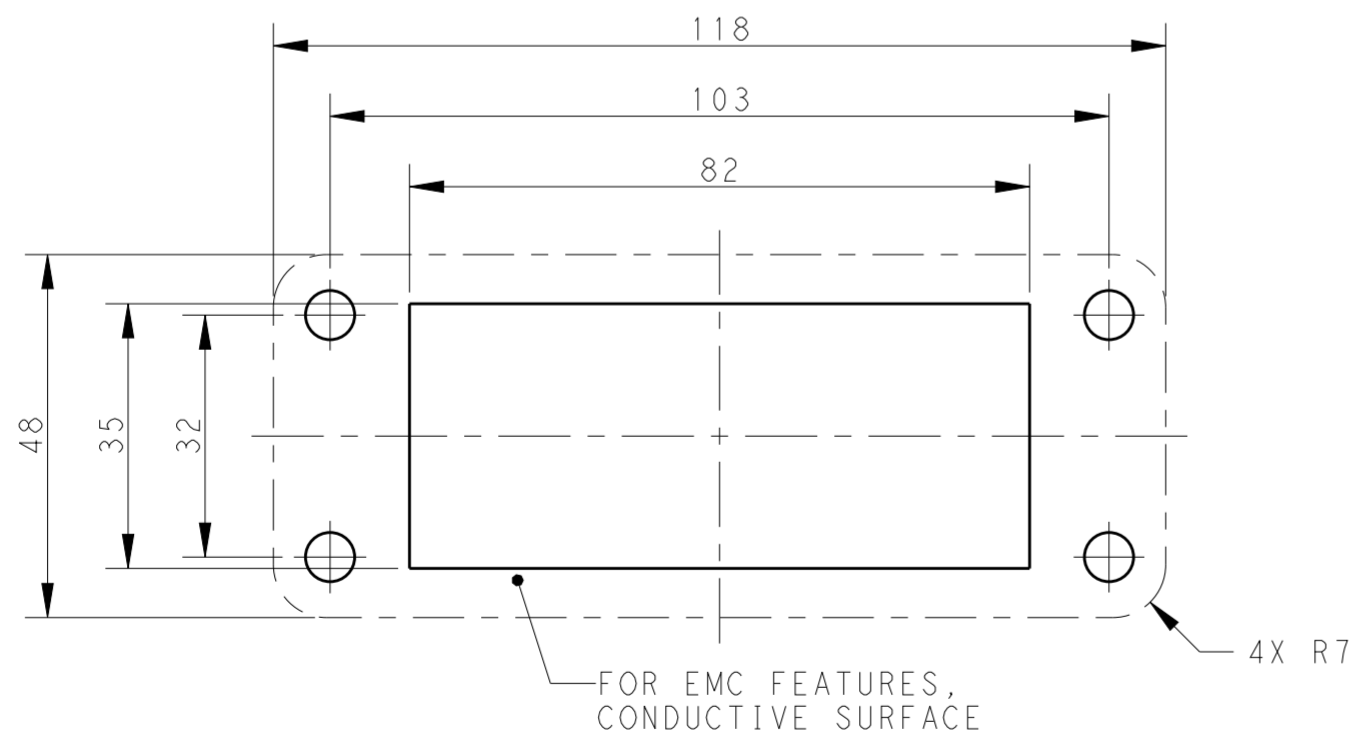
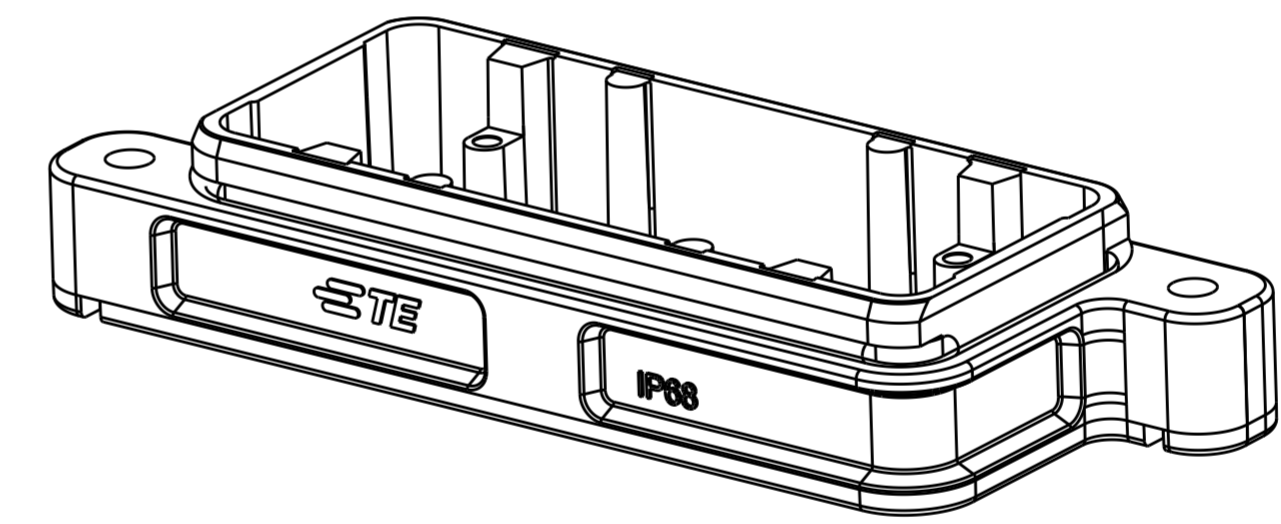
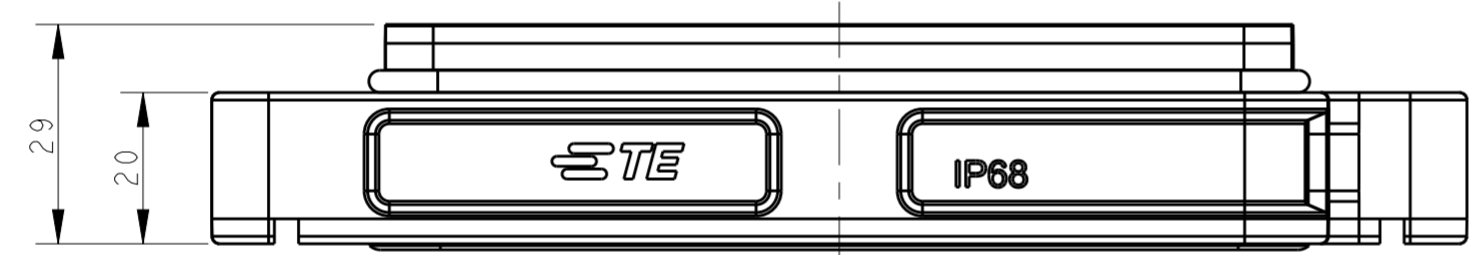
THIS DRAWING IS UNPUBLISHED. RELEASED FOR PUBLICATION 20  
 © COPYRIGHT 20 BY - ALL RIGHTS RESERVED.

REVISIONS				
P	LTR	DESCRIPTION	DATE	APVD
	A	INITIAL RELEASE	24AUG2016	DW CW



NOTES:  
 1. TECHNICAL CHARACTERISTICS:  
 HOUSING MATERIAL: DIE CAST ALUMINIUM ALLOY  
 SURFACE : SEE TABLE  
 DEGREE OF PROTECTION: IP68 (MATED)

注释:  
 1. 技术参数:  
 壳体材料: 铝合金  
 表面处理: 见表格  
 防护等级: IP68 (配合)



Panel Cut Out Dimension, Only for Reference  
 面板开口尺寸, 仅供参考

PART NUMBER	料号	PART DESCRIPTION	描述
T1930162000-009	H16BPR-AG-EMC-C	H16BPR HOUSING, DIAGONAL LOCKING, BULKHEAD MOUNTED, POWDER COATED, GREY H16BPR 对角锁定开孔下壳 灰色	
T1930161000-009	H16BPR-AG-EMC-C	H16BPR HOUSING, DIAGONAL LOCKING, BULKHEAD MOUNTED, POWDER COATED, SILVER WHITE H16BPR 对角锁定开孔下壳 银白色	
T1930160000-009	H16BPR-AG-EMC-C	H16BPR HOUSING, DIAGONAL LOCKING, BULKHEAD MOUNTED, POWDER COATED, BLACK H16BPR 对角锁定开孔下壳 黑色	

THIS DRAWING IS A CONTROLLED DOCUMENT.		DWN 24AUG2016 DAVID WANG	TE Connectivity	
		CHK 24AUG2016 CHRIS WANG		
		APVD 24AUG2016 XIANG XU	NAME H16BPR-AG-EMC-C	
DIMENSIONS: mm		TOLERANCES UNLESS OTHERWISE SPECIFIED: 0 PLC ± 1 PLC ± 2 PLC ± 3 PLC ± 4 PLC ± ANGLES ± FINISH	PRODUCT SPEC 108-137191	SIZE A2
MATERIAL -			APPLICATION SPEC 114-137191	CAGE CODE -
			WEIGHT -	DRAWING NO G-T193016XXXXX09
			CUSTOMER DRAWING	RESTRICTED TO -
			SCALE 1:1	SHEET 1 OF 1 REV A