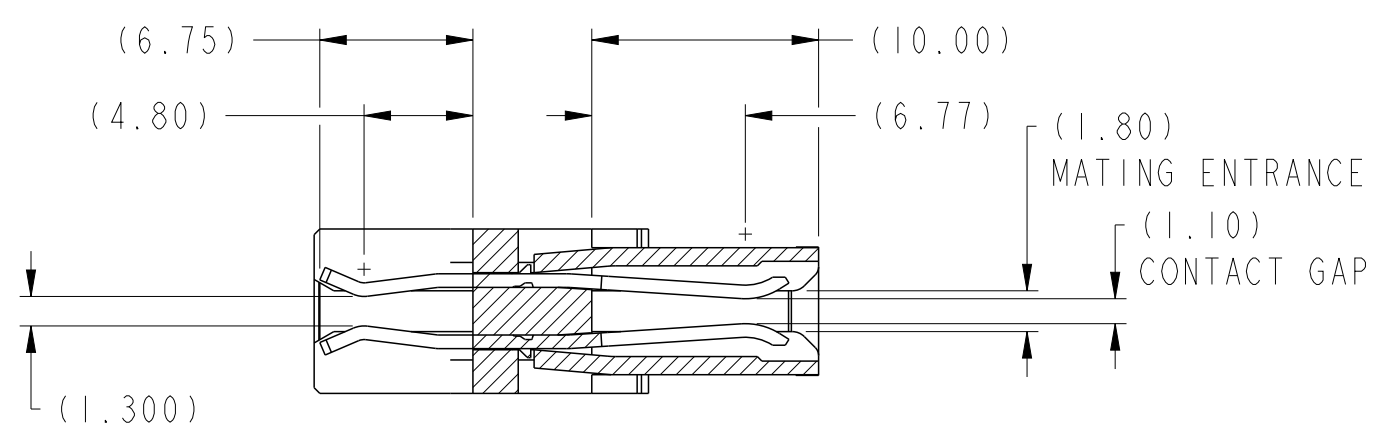
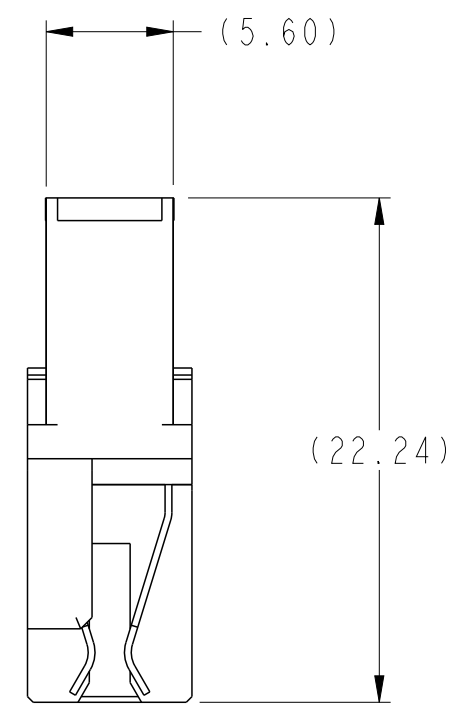
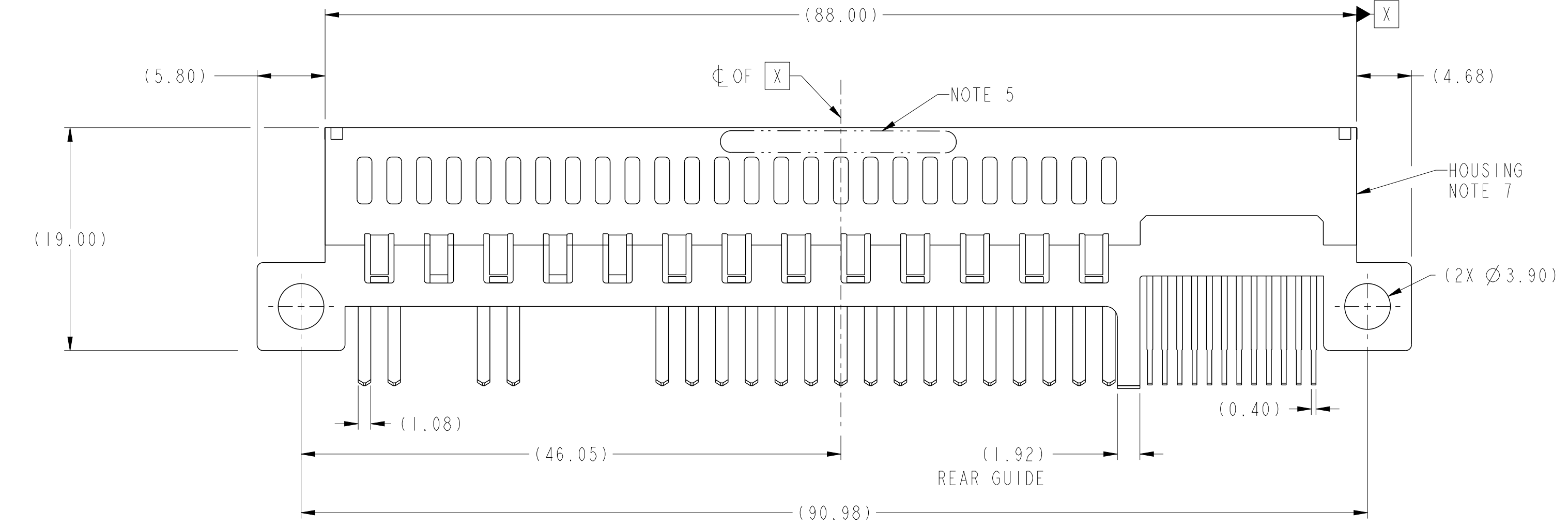
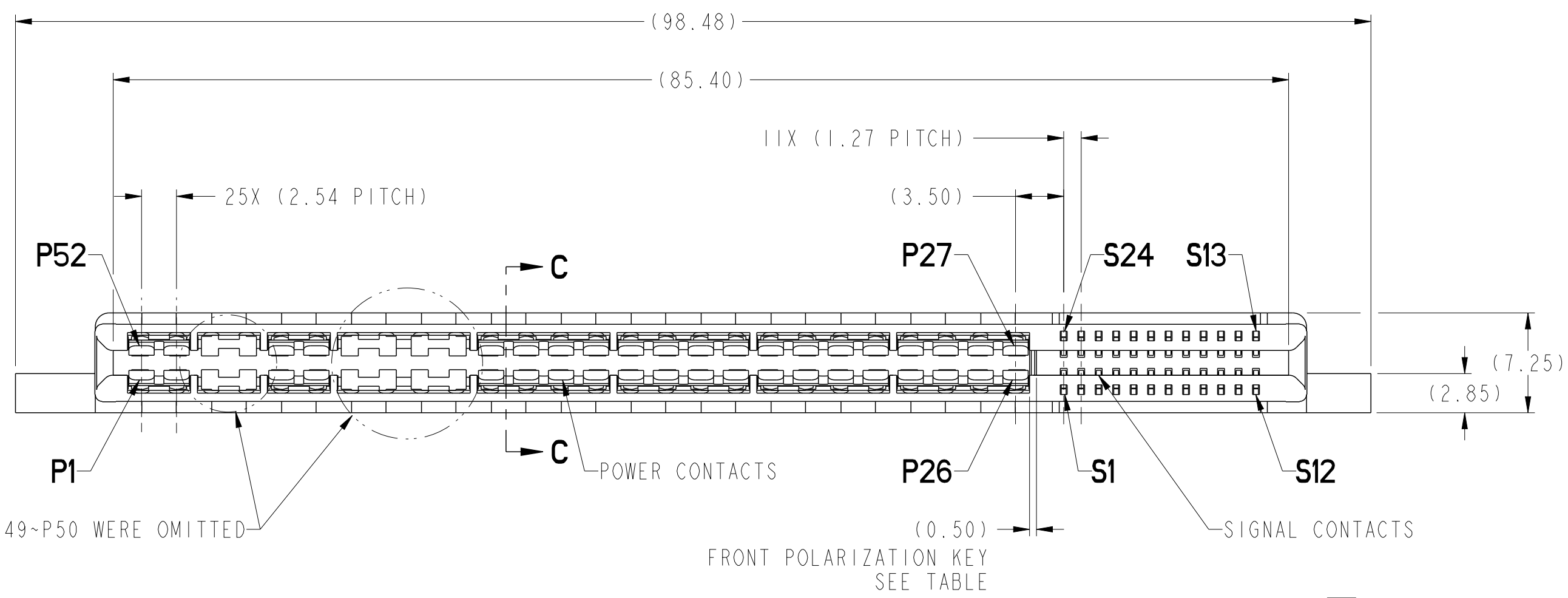


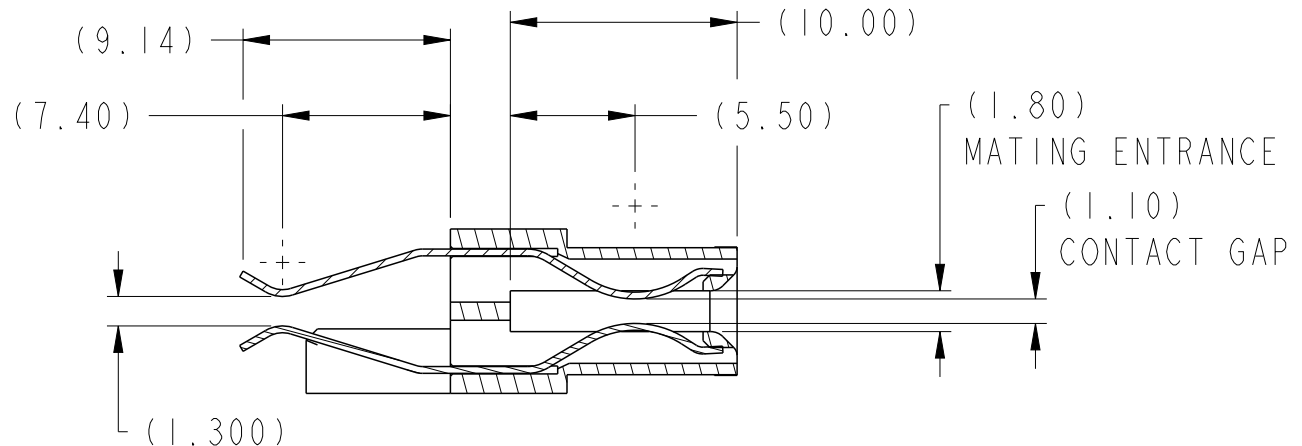
FCI CONFIDENTIAL



This document is the property of and embodies CONFIDENTIAL and PROPRIETARY information of FCI. No part of the information shown on this document may be used in any way or disclosed to others without the written consent of FCI. Copyright FCI.



SECTION C-C



SECTION B-B

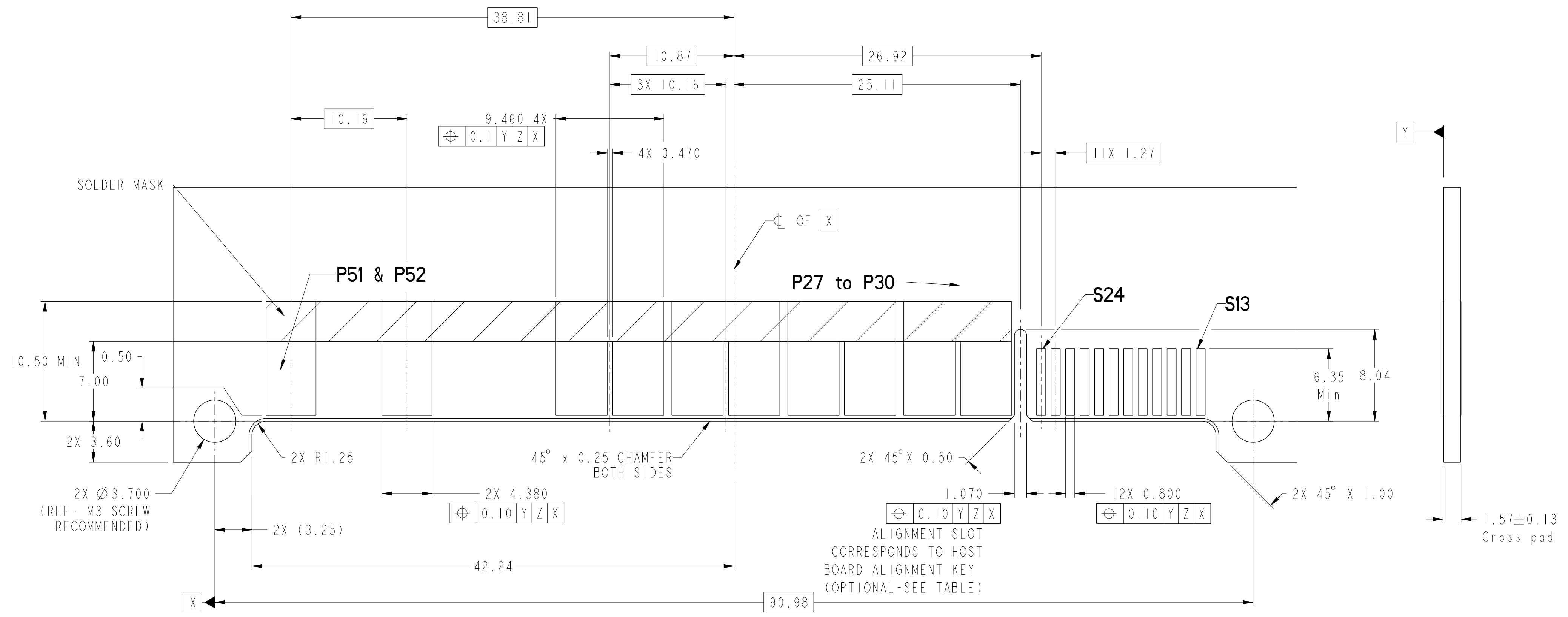
rev	ecn no	dr	date	TOLERANCES UNLESS OTHERWISE SPECIFIED		tolerance std	material	dr	2011/04/20	projection	MM	size	scale			
A		HZ	2011-07-13	linear	X.	±	-	Wei-Long Zhang	2011/04/20	⊕	←	A2	3:1			
B	ELX-DG-008380-1	HZ	2011-12-01		0.X	±0.3	ASME Y14.5	mat code	Wei-Long Zhang					2011/12/01	ecn no	ELX-DG-008380-1
-	-	-	-		0.XX	±0.10	surface	heat treat	Eleven Hu					2011/12/09	rel level	Released
-	-	-	-		0.XXX	±0.050	ASME Y14.5	plating/finish	app	Pei-Ming Zheng	2011/12/09	product family	CARD EDGE			
-	-	-	-		0.XXXX	±		spec ref								
				angular	0°	±2°	model name	FCI		RECEPTACLE (52P-24S)		div no	10118039			
							model revision	B	www.fci.com	cat. no.	Product - Customer Drw	sheet 1 of 4	rev	B		

PDS: Rev :B

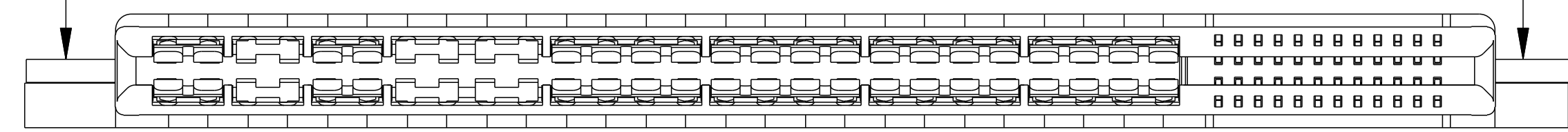
STATUS:Released

Printed: Dec 09, 2011

FCI CONFIDENTIAL



RECOMMENDED PCB LAYOUT
AS VIEWED



This document is the property of and embodies CONFIDENTIAL and PROPRIETARY information of FCI. No part of the information shown on this document may be used in any way or disclosed to others without the written consent of FCI. Copyright FCI.

dr	Wei-Long Zhang	2011/04/20	projection	MM	size	A2	scale	3:1
eng	Wei-Long Zhang	2011/12/01			ecn no	ELX-DG-008380-1	rel level	Released
chr	Eleven Hu	2011/12/09						
appr	Pei-Ming Zheng	2011/12/09	product family	CARD EDGE				
		RECEPTACLE (52P-24S) HPCE - (STRADDLE MOUNT)		dwg no 10118039	rev B			
www.fci.com		cat. no.	-		Product - Customer Drw		sheet 2 of 4	

PDS: Rev :B

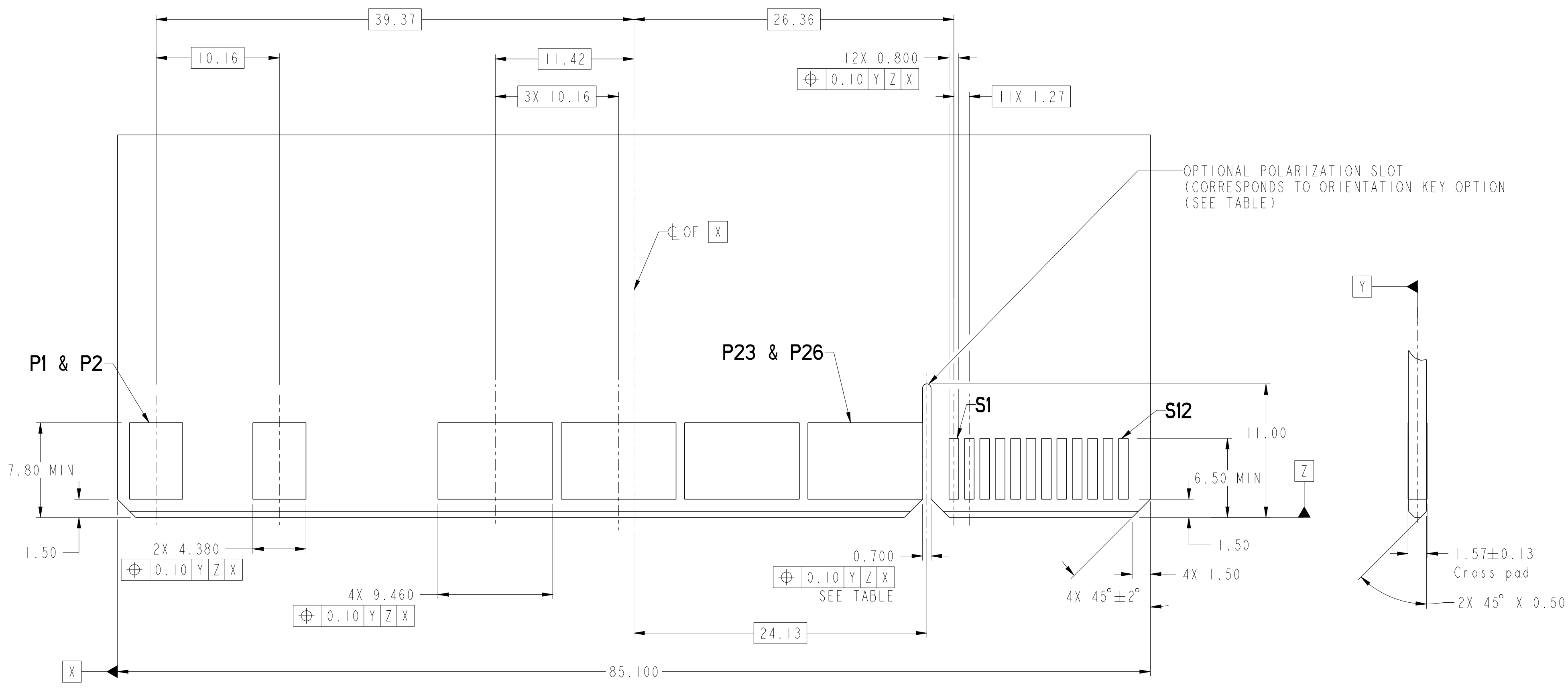
STATUS:Released

Printed: Dec 09, 2011

FCI CONFIDENTIAL



This document is the property of and embodies CONFIDENTIAL and PROPRIETARY information of FCI. No part of the information shown on this document may be used in any way or disclosed to others without the written consent of FCI. Copyright FCI.



dr	Wei-Long Zhang	2011/04/20	projection	MM	size	A2	scale	4:1
eng	Wei-Long Zhang	2011/12/01			ecn no	ELX-DG-008380-1		
chr	Eleven Hu	2011/12/09			rel level	Released		
appr	Pai-Ming Zheng	2011/12/09	product family	CARD EDGE				
		title	RECEPTACLE (52P-24S)		dwg no	10118039		rev
www.fci.com		cat. no.	-		Product - Customer Drw	sheet 3 of 4		B

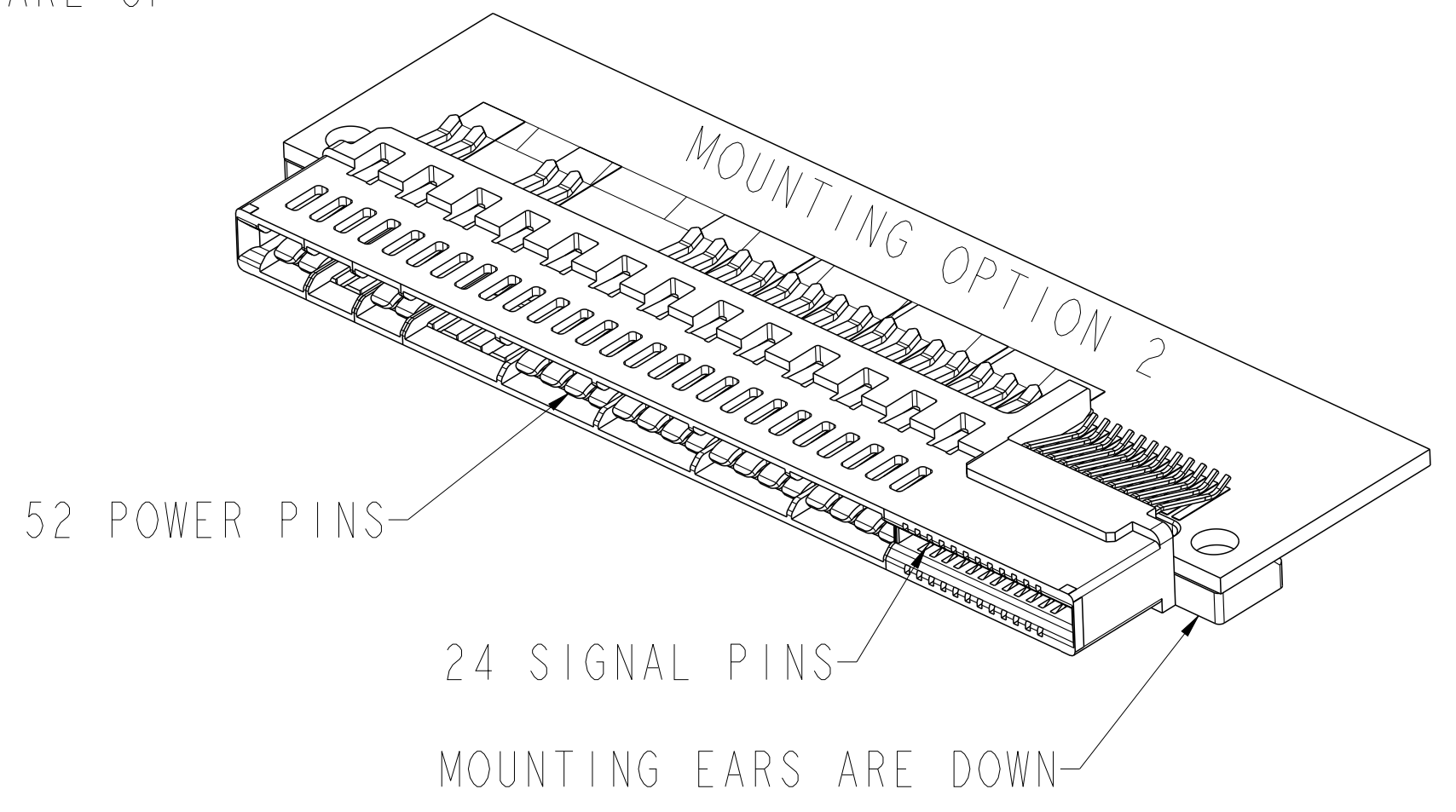
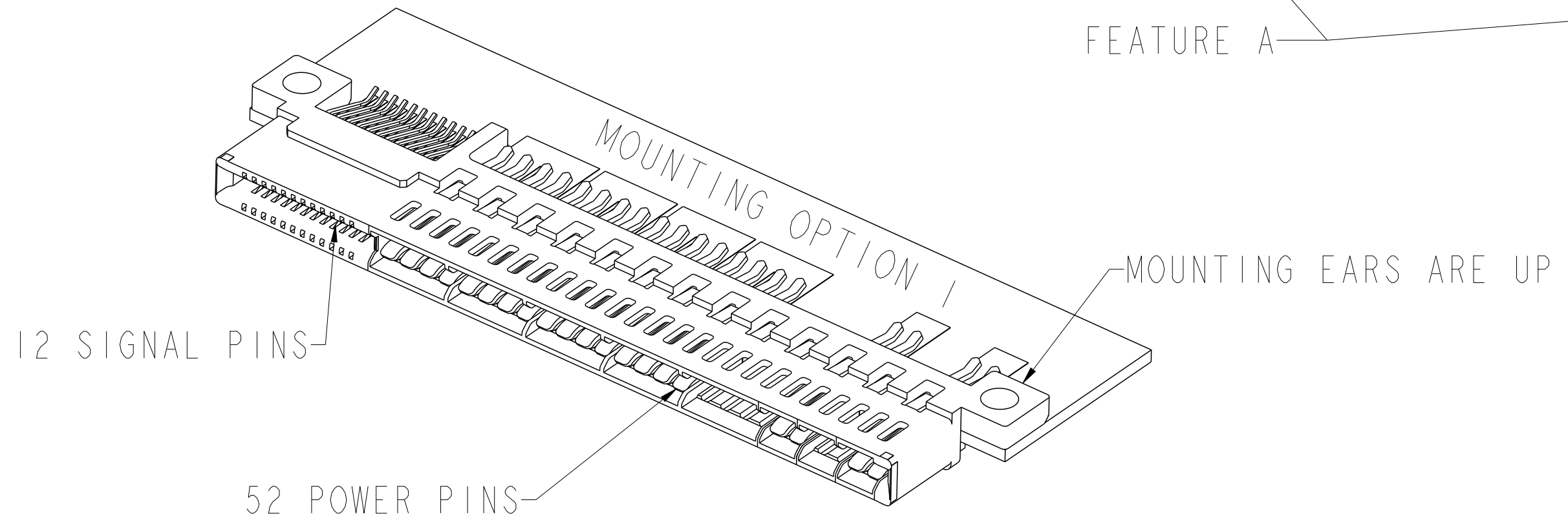
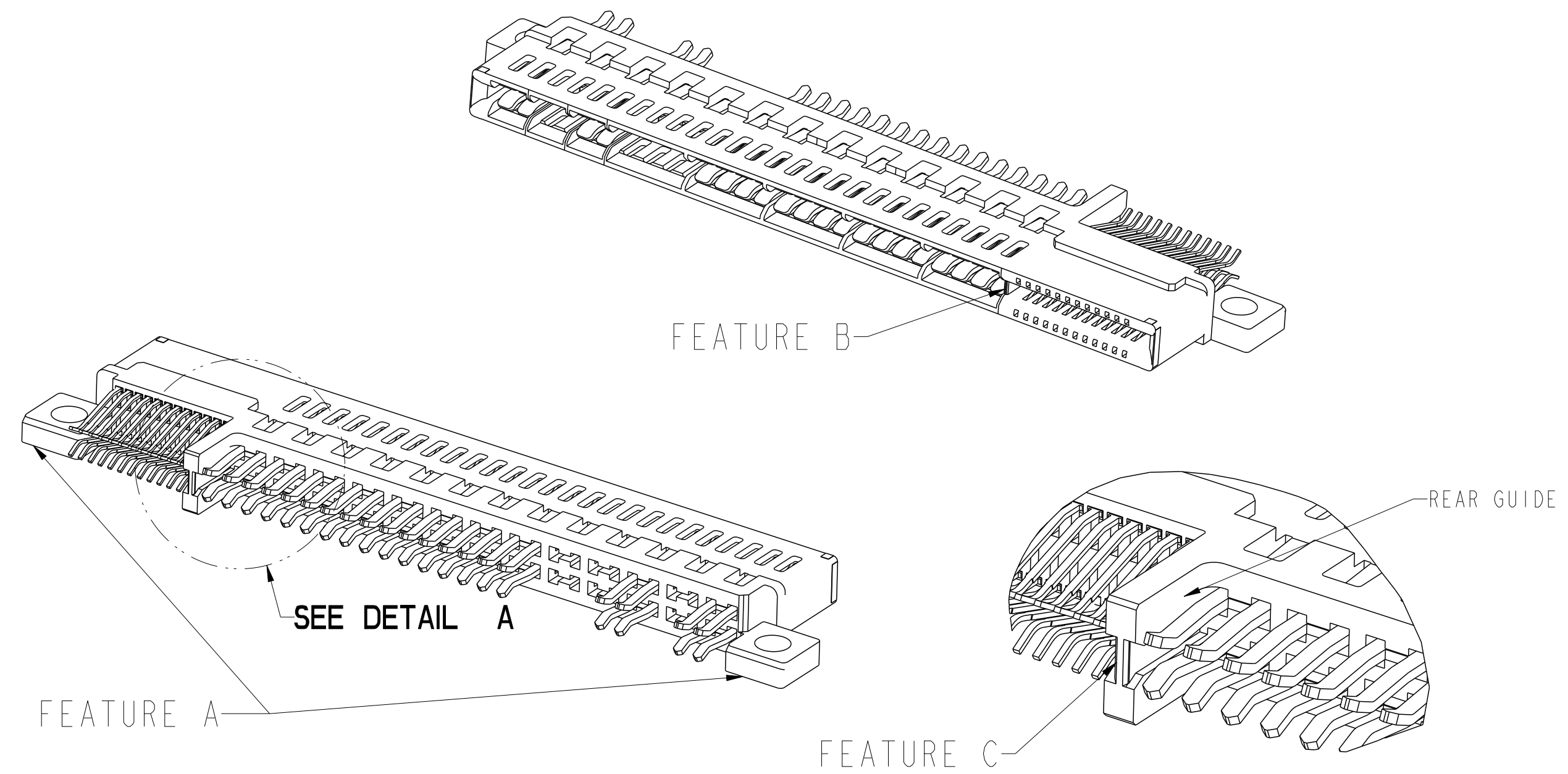
PDS: Rev :B

STATUS:Released

Printed: Dec 09, 2011

FCI CONFIDENTIAL

PART NUMBER	FEATURE C HOST BOARD ALIGNMENT KEY (SEE NOTE 8)	FEATURE A MOUNTING EARS	FEATURE B FRONT POLARIZATION KEY
10118039-001LF	YES	YES	NO
10118039-002LF		YES	YES
10118039-003LF		NO	NO
10118039-004LF		NO	YES
10118039-005LF	NO	YES	NO
10118039-006LF		YES	YES
10118039-007LF		NO	NO
10118039-008LF		NO	YES



DETAIL A
SCALE 4:1

NOTES:

- CONNECTOR MATERIALS:
HOUSING: HIGH TEMPERATURE THERMAL PLASTIC, BLACK
UL 94V-0 COMPLIANT
CONTACTS: HIGH PERFORMANCE COPPER ALLOY.
- CONTACT FINISH REF. GS-12-604 SECTION 5.2.
- PRODUCT SPECIFICATION: GS-12-604.
- APPLICATION SPECIFICATION: GS-20-128.
- PRODUCT MARKING (FCI - PART NUMBER & DATE CODE) ON HOUSING IN AREA SHOWN.
- PACKAGING MEETS FCI SPECIFICATION GS-14-937.
- HOUSING COMPONENT WILL WITHSTAND EXPOSURE TO 260°C PEAK TEMPERATURE FOR 60 SECONDS IN A CONVECTION, INFRA-RED, OR VAPOR PHASE REFLOW OVEN.
- HOST BOARD ALIGNMENT KEY IS RECOMMENDED TO ENSURE PROPER ALIGNMENT OF SOLDER TAILS WITH HOST BOARD PADS.

dr	Wei-Long Zhang	2011/04/20	projection	MM	size	A2	scale	4:1
eng	Wei-Long Zhang	2011/12/01			ecn no	ELX-DG-008380-1	rel level	Released
chr	Eleven Hu	2011/12/09						
appr	Pei-Ming Zheng	2011/12/09	product family	CARD EDGE	rel level	Released		
		TITLE RECEPTACLE (52P-24S) HPCE - (STRADDLE MOUNT)		dwg no 10118039	rev B			
www.fci.com		cat. no.	Product - Customer Drw		sheet 4 of 4			

This document is the property of and embodies CONFIDENTIAL and PROPRIETARY information of FCI. No part of the information shown on this document may be used in any way or disclosed to others without the written consent of FCI. Copyright FCI.