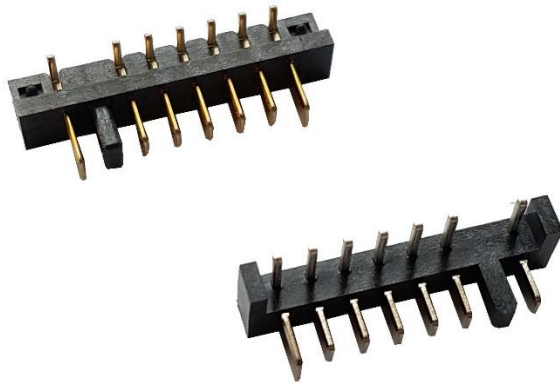


Technical Data Sheet

Battery Mating Connectors RRC-MC21-Series



Battery Mating Connectors

Features:

- Mating connectors for standard smart batteries from RRC (e.g. RRC2130, RRC2140,...)
- 7A max. charge or discharge current to battery
- 7-pin male connectors
- 2.5mm pitch
- RoHS compatible

Applications:

- Mating connectors for RRC's smart batteries used in medical and industrial applications

Specification

Ratings	
Current	7A max. / pin
Voltage	30V DC
Materials	
Housing	Thermoplastic High Temperature, UL 94V-0, black
Contacts	Copper Alloy
Plating	50µm Nickel on contact area 100µm Matte-Tin on solder tails
Environmental Condition	
Operating Temperature	-40°C to +105°C

Electrical Requirements	
Contact Resistance	40mOhm max.
Insulation Resistance	100MOhm min. at 500VDC/1min
Dielectric withstand	500VAC/1min
Mechanical Requirements	
Contact Retention Force	300g min. / pin
Physical Requirements	
Solder Temperature	245°C ± 5°C
Immersion Period	5 ± 0.5sec
Regulatory Approvals	
RoHS	

RRC-MC21-90-10	
RRC part number	211268
PCB mounting	90°
Mechanical Requirements	
Dimensions (LxWxH)	22.50mm x 7.20mm x 5.85mm
Weight	Typical 1g
Packaging	
27 connectors per tube 168 tubes per carton	

RRC-MC21-90-20	
RRC part number	211278
PCB mounting	90° PCB edge mounting
Mechanical Requirements	
Dimensions (LxWxH)	24.5mm x 9.50mm x 4.50mm
Weight	Typical 1g
Packaging	
24 connectors per tube 200 tubes per carton	

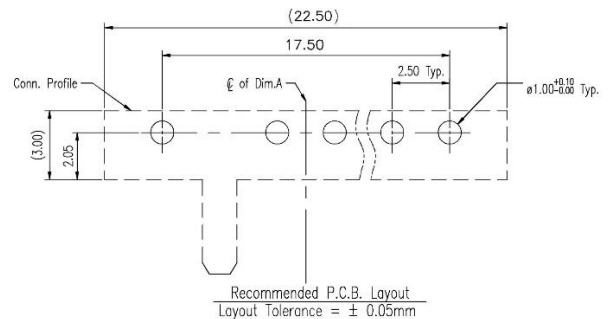
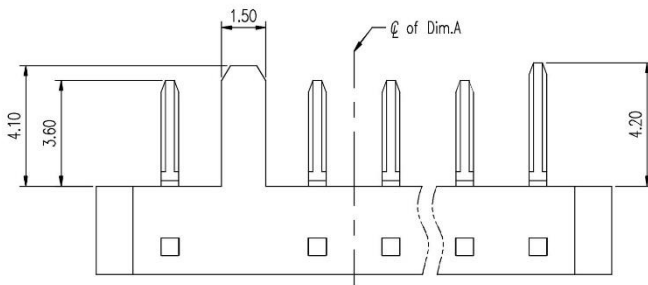
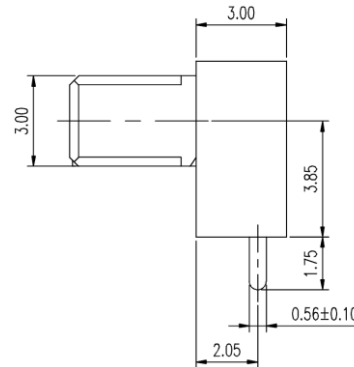
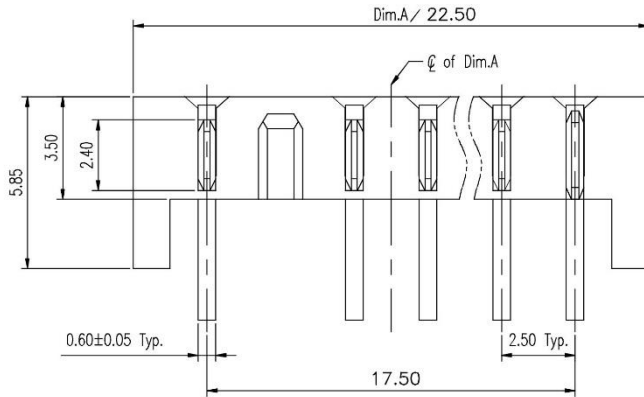
Germany/Headquarters	USA	Hong Kong	China
RRC power solutions GmbH Technologiepark 1 D-66424 Homburg / Saar	RRC power solutions Inc. 18340 Yorba Linda Blvd., Suite 107-437 Yorba Linda, CA 92886-4104	RRC power solutions Ltd. S-V,6/F, Valiant Industrial Centre 2-12 Au Pui Wan Street Fo Tan, N.T., Hong Kong	RRC power solutions Ltd. Room 520, Yuanlin Building, Aiguo Road No. 3066, Luohu District, Shenzhen 518021
Tel.: +49 6841 98090 Fax: +49 6841 9809280 Email: sales@rrc-ps.de Web: www.rrc-ps.de	Tel.: +1 714 777 3604 Fax: +1 714 777 3658 Email: usa@rrc-ps.com Web: www.rrc-ps.com	Tel.: +852 2376 0106 Fax: +852 2375 0107 Email: hkrrc@rrc-ps.cn Web: www.rrc-ps.com	Tel.: +86 755 8374 1908 Fax: +86 755 8374 1861 Email: hkrrc@rrc-ps.cn Web: www.rrc-ps.com

Technical Data Sheet

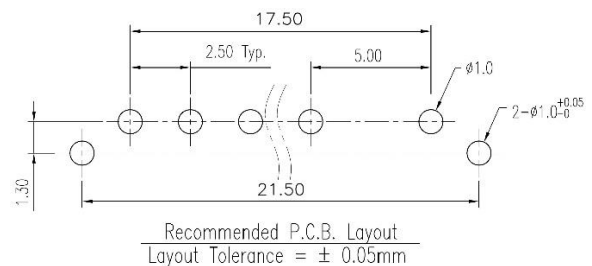
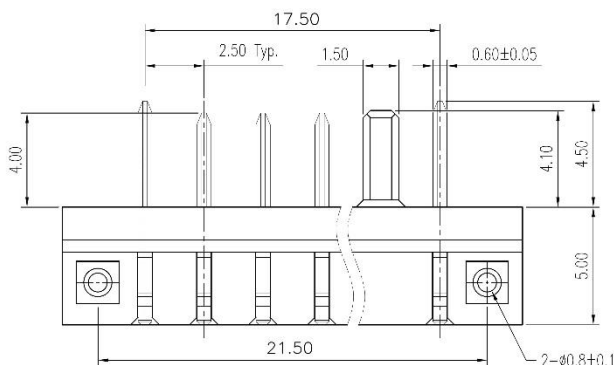
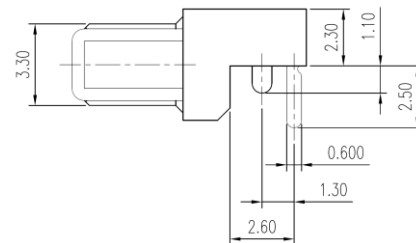
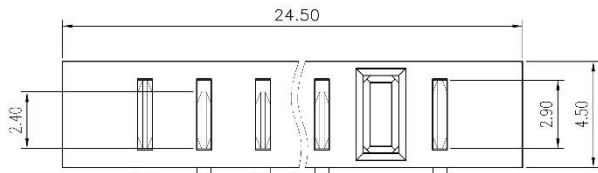
Battery Mating Connectors RRC-MC21-Series



RRC-MC21-90-10



RRC-MC21-90-20



To facilitate a fast design-in process for developers, RRC is providing 3D data of the mating connectors and the battery housings of RRC smart batteries. Please contact your RRC representative. For further information on the RRC smart batteries please refer to the RRC website (www.rrc-ps.com).

Germany/Headquarters	USA	Hong Kong	China
RRC power solutions GmbH Technologiepark 1 D-66424 Homburg / Saar	RRC power solutions Inc. 18340 Yorba Linda Blvd., Suite 107-437 Yorba Linda, CA 92886-4104	RRC power solutions Ltd. S-V,6/F, Valiant Industrial Centre 2-12 Au Pui Wan Street Fo Tan, N.T., Hong Kong	RRC power solutions Ltd. Room 520, Yuanlin Building, Aiguo Road No. 3066, Luohu District, Shenzhen 518021
Tel.: +49 6841 98090 Fax: +49 6841 9809280 Email: sales@rrc-ps.de Web: www.rrc-ps.de	Tel.: +1 714 777 3604 Fax: +1 714 777 3658 Email: usa@rrc-ps.com Web: www.rrc-ps.com	Tel.: +852 2376 0106 Fax: +852 2375 0107 Email: hkrcc@rrc-ps.cn Web: www.rrc-ps.com	Tel.: +86 755 8374 1908 Fax: +86 755 8374 1861 Email: hkrcc@rrc-ps.cn Web: www.rrc-ps.com