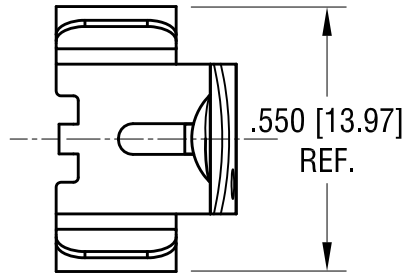
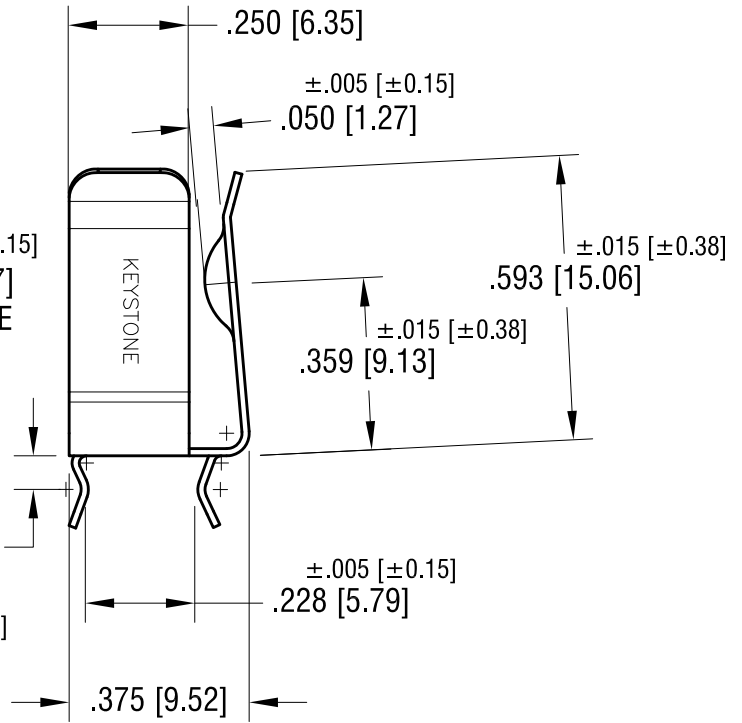
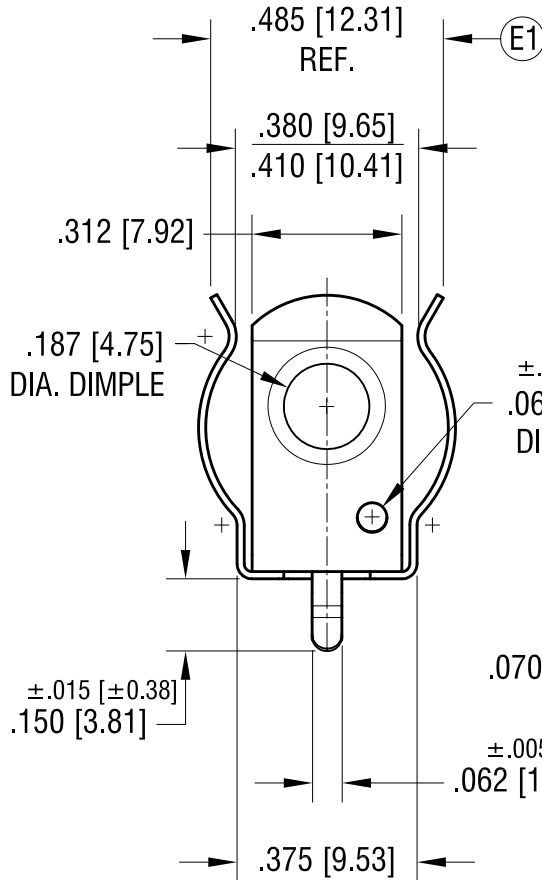
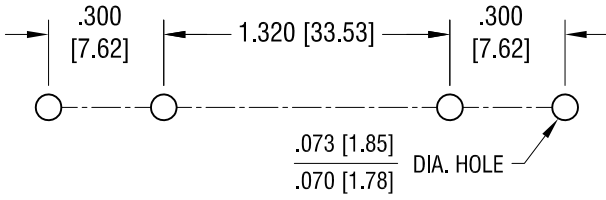


THIS DOCUMENT IS THE PROPERTY OF KEYSTONE ELECTRONICS CORP. AND SHALL NOT BE REPRODUCED, DISTRIBUTED OR USED AS A BASIS FOR MANUFACTURE WITHOUT PRIOR WRITTEN PERMISSION FROM KEYSTONE ELECTRONICS CORP.

**ACTUAL SIZE**



**REQUIRED SPACING FOR 'AA' CLIP**



**NOTE:**

1. HEAT TREAT TO SPRING TEMPER.

12.27.17	ADD TOP VIEW ADD (E1) CHANGE AS PER ECN 17-084	E
10.06.16	CHANGE AS PER ECR 16-062	D
7.17.14	CHANGE AS PER ECN 14-068	C
6.19.06	CHANGE AS PER ECN 09-039	B
DATE	DESCRIPTION	REV.

<b>KEYSTONE ELECTRONICS CORP.</b>			
www.keyelco.com • NEW HYDE PARK, NY 11040 • Tel (516) 328-7500			
PART NAME		'A'-AA' PC BATTERY CLIP	
MATERIAL			
.015 [0.38] TH'K ANNEALED SPRING STEEL			
FINISH		DRN BY	DATE
TIN NICKEL PLATE		BOONE	4.03.01
		APP'D	SCALE
		LN	2.5X
TOLERANCES	INCH [MM]	CODE	DWG NO.
DECIMAL	± .010 [± 0.25]	C	<b>2915</b>
ANGULAR	± 2°		
UNLESS OTHERWISE SPECIFIED			