

NOTES :

ELECTRICAL DATA :

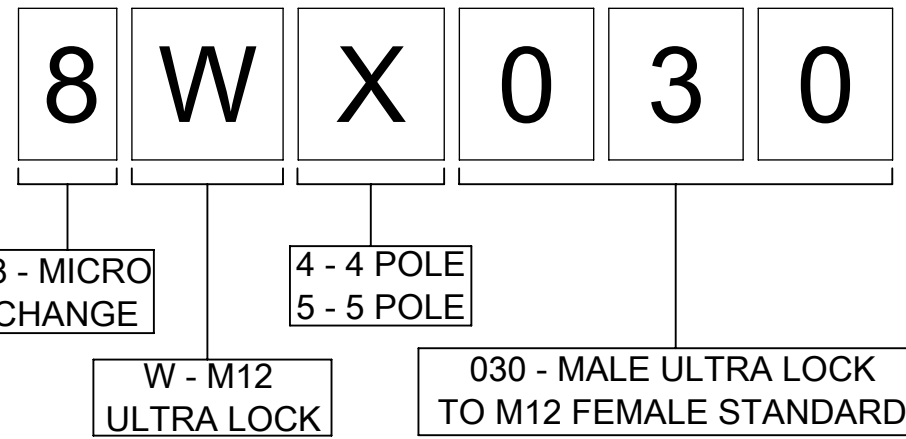
VOLTAGE RATING 4P A-CODE - 250V  
5P A-CODE - 60V

AMPERAGE RATING : 4A  
INSULATION RESISTANCE :  $10^8 \Omega$  MIN.  
MATING CYCLES : MAX. 100

ENVIRONMENTAL :

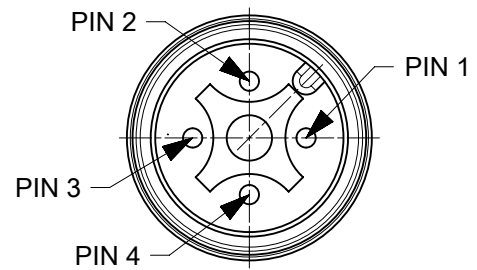
PROTECTION : IP67  
OPERATING TEMPERATURE : -25°C TO +85°C

PART No MATRIX

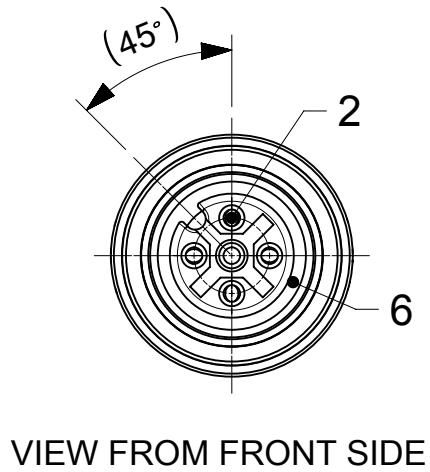
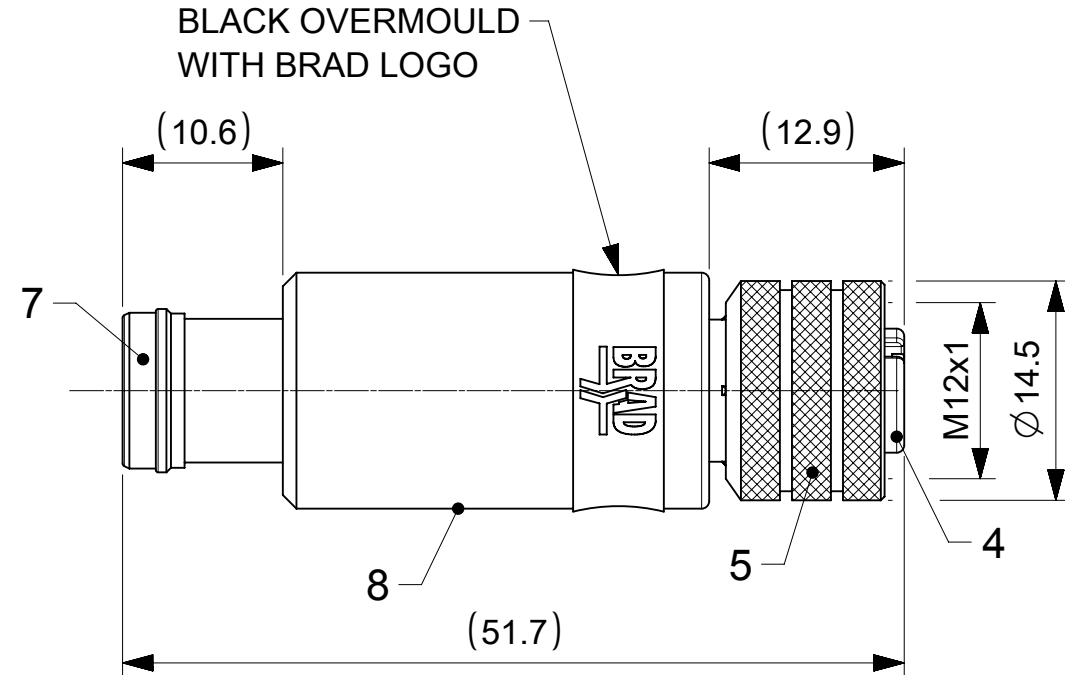
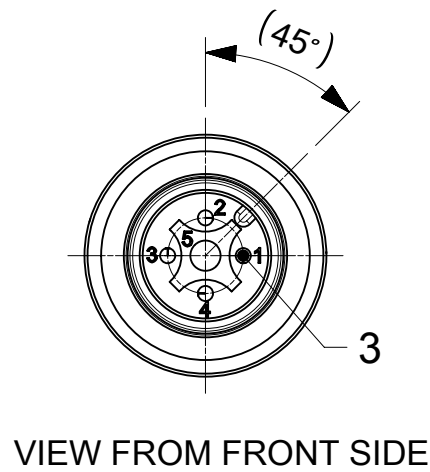
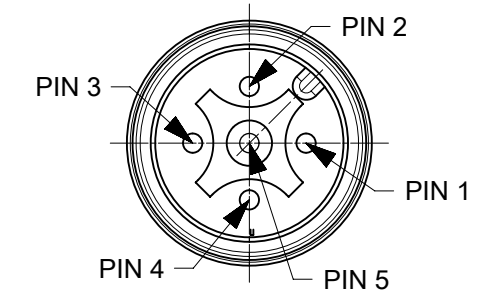


WIRING DIAGRAM			
5 POLE		4 POLE	
MALE	FEMALE	MALE	FEMALE
ULTRA LOCK	M12x1	ULTRA LOCK	M12x1
PIN 1  WHITE	PIN 1	PIN 1  WHITE	PIN 1
PIN 2  BROWN	PIN 2	PIN 2  BROWN	PIN 2
PIN 3  BLUE	PIN 3	PIN 3  BLUE	PIN 3
PIN 4  BLACK	PIN 4	PIN 4  BLACK	PIN 4
PIN 5  GRAY	PIN 5		

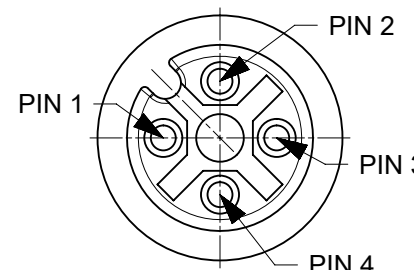
M12 MALE 4-POLE



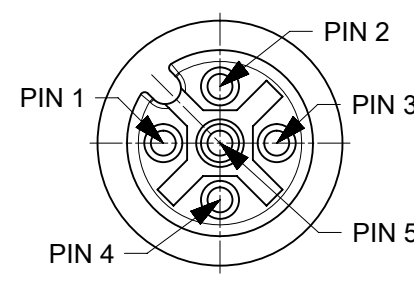
M12 MALE 5-POLE



M12 FEMALE 4-POLE



M12 FEMALE 5-POLE

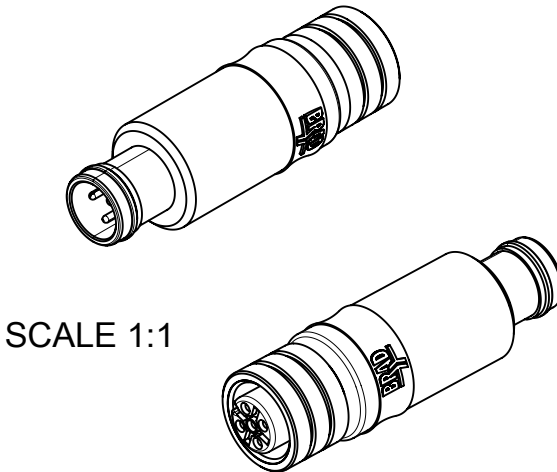


BOM

4P	5P	ITEM No.	QTY.	DESCRIPTION	MATERIAL	FINISH/COLOR
X	X	1	-	WIRES 22AWG	PVC	BROWN BLUE WHITE BLACK
X	X	2	4/5	CONTACT FEMALE	BRONZE	GOLD OVER Ni-PLATED
X	X	3	4/5	CONTACT MALE	COPPER	GOLD OVER Ni-PLATED
X		4	1	INSERT M12 FE 4P AC	TPU	BLACK
	X			INSERT M12 FE 5P AC		
X	X	5	1	COUPLING NUT M12 FE	BRASS	Ni-PLATED
		6	1	GASKET	FPM	RED
X		7	1	INSERT U12 MALE 4P	PA66	BLACK
	X			INSERT U12 MALE 5P		
X	X	8	-	OVERMOULD	TPU	BLACK

PART LIST

MOLEX PN	ENGINEERING No.	NO. OF POLES
1200850001	8W4030	4
1200765013	8W5030	5



SCALE 1:1

SYMBOLS	THIS DRAWING CONTAINS INFORMATION THAT IS PROPRIETARY TO MOLEX ELECTRONIC TECHNOLOGIES, LLC AND SHOULD NOT BE USED WITHOUT WRITTEN PERMISSION	CURRENT REV DESC:					
	DIMENSION UNITS: mm SCALE: 2:1 GENERAL TOLERANCES (UNLESS SPECIFIED): ANGULAR TOL: ± 1.0° 4 PLACES: ± 3 PLACES: ± 2 PLACES: ± 0.05 1 PLACE: ± 0.3 0 PLACES: ± 0.5 DRAFT WHERE APPLICABLE MUST REMAIN WITHIN DIMENSIONS	EC NO: 625599 DRWN: SSM 2019/10/10 CHK'D: RSILLER 2019/10/14 APPR: RSILLER 2019/10/14 INITIAL REVISION: DRWN: SSM 2019/10/10 APPR: RSILLER 2019/10/14			MIC MF XP AC ULCK ADAPTER PRODUCT CUSTOMER DRAWING		
	THIRD ANGLE PROJECTION	DRAWING	SERIES	DOCUMENT NUMBER	DOC TYPE	DOC PART	REVISION
		A3-SIZE	120085	1200850001	PSD	000	A
				MATERIAL NUMBER	CUSTOMER	SHEET NUMBER	
				SEE PART LIST	GENERAL MARKET	1 OF 1	

DOCUMENT STATUS	P1	RELEASE DATE	2019/10/14	11:50:48
-----------------	----	--------------	------------	----------