

THIS DRAWING IS UNPUBLISHED. RELEASED FOR PUBLICATION
 © COPYRIGHT BY TYCO ELECTRONICS CORPORATION. ALL INTERNATIONAL RIGHTS RESERVED.

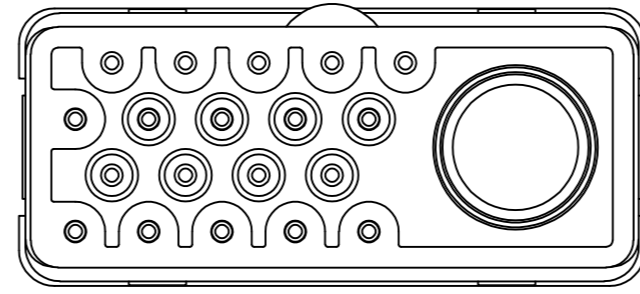
LOC	DIST	REVISIONS				
P	LTR	DESCRIPTION	DATE	DWN	APVD	
DF	00	0	CONVERTED RADIALL DWG TO TYCO ACAD DWG	11/03	—	—
		1	REVISED	22APR10	RF	JM

1 FRONT & REAR INSULATORS: THERMOSET EPOXY PER ASTM D5948
 CONTACT RETENTION CLIPS: COPPER ALLOY PER ASTM B194
 REAR GROMMET & INTERFACIAL SEAL: FLUOROSILICONE ELASTOMER PER MIL-R-25988 B, EXCEPT 4.6.6.1

2 DATE CODE: YEAR & WEEK (YY WW)

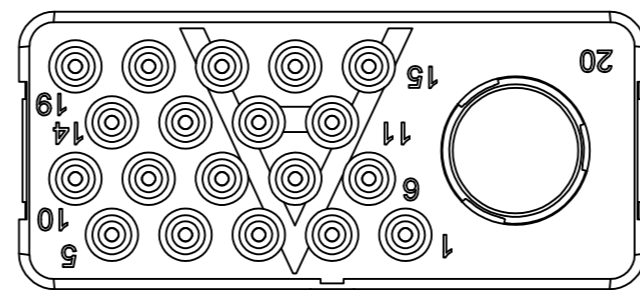
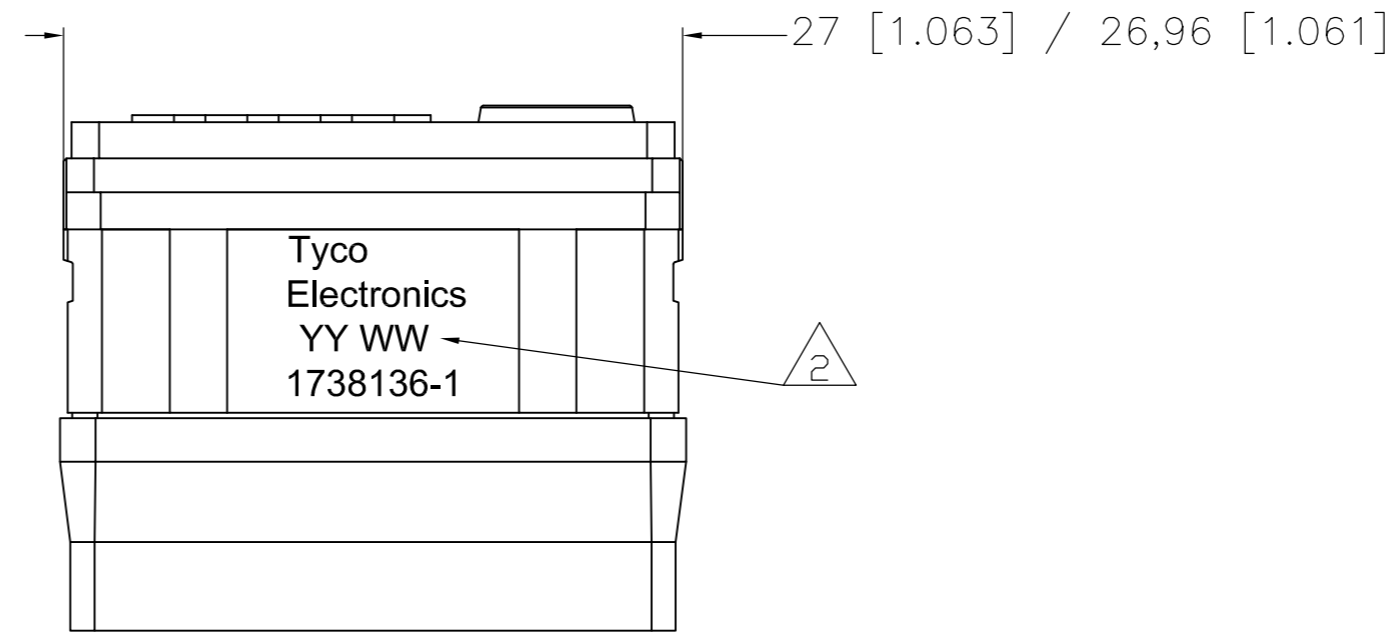
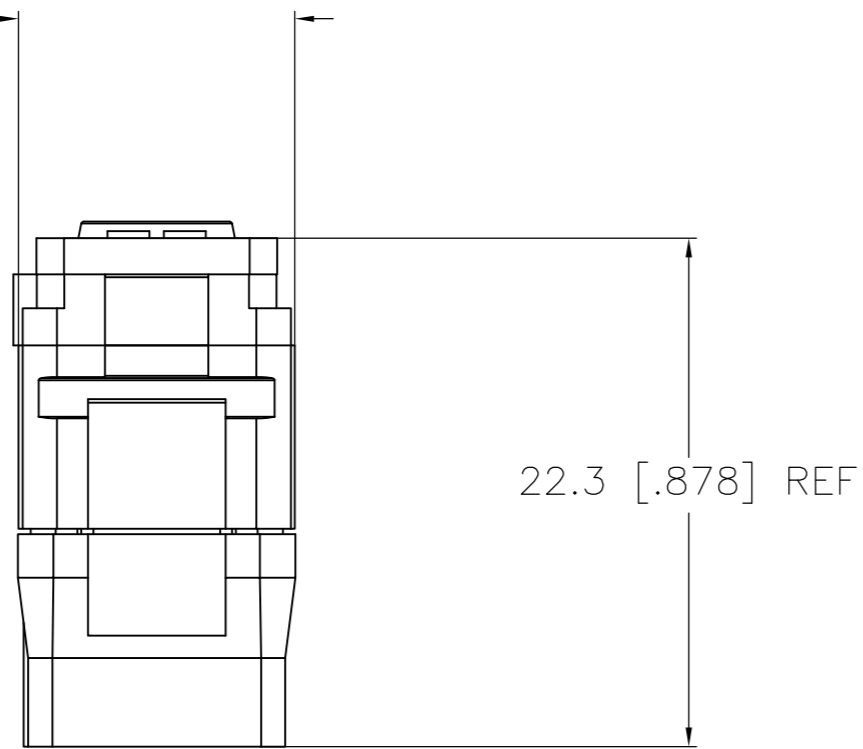
3. DESCRIPTIVE PART NUMBER: GPRBE20C1PA
 THIS INSERT CONTAINS:
 19 CAVITIES FOR SIZE 20 PIN CONTACTS
 1 CAVITY FOR SIZE 5 PIN CONTACTS

4. THIS PRODUCT IS SOLD BY TYCO ELECTRONICS
 UNDER A LICENSE FROM RADIALL SA.



MATING FACE

12.05 [.474] / 12.01 [.473]



THIS PRINT IS
PRELIMINARY
 UNQUALIFIED PRODUCT
 CONTACT PRODUCT ENGINEERING
 BEFORE USING THIS PRINT

1738136-1
 PART NUMBER

THIS DRAWING IS A CONTROLLED DOCUMENT.		DWN	NOV03	 Tyco Electronics Corporation Harrisburg, PA 17105-3608	PRELIMINARY
DIMENSIONS:		CHK	NOV03		
mm [INCHES]		APVD	NOV03		
TOLERANCES UNLESS OTHERWISE SPECIFIED:		PRODUCT SPEC	NAME		
0 PLC ± -		APPLICATION SPEC		GPR-B PIN INSERT	
1 PLC ± -		WEIGHT		CLASS E	
2 PLC ± 0.05 [.002]		SCALE		CONTACT ARRANGEMENT 20C1 KEY A	
3 PLC ± -		SIZE		RESTRICTED TO	
4 PLC ± -		CAGE CODE		A2 00779	
ANGLES ± -		DRAWING NO		C=1738136	
FINISH		SHEET		1 OF 1	
MATERIAL		REV		1	
1		CUSTOMER DRAWING		SCALE 1:1	