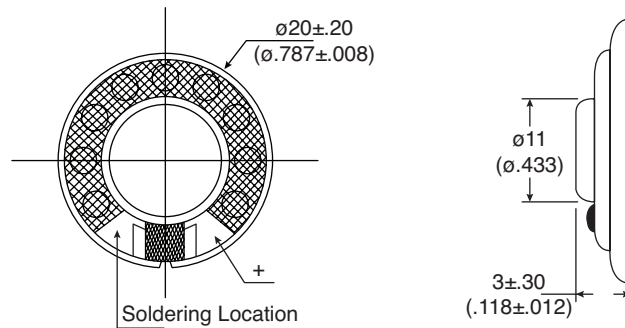
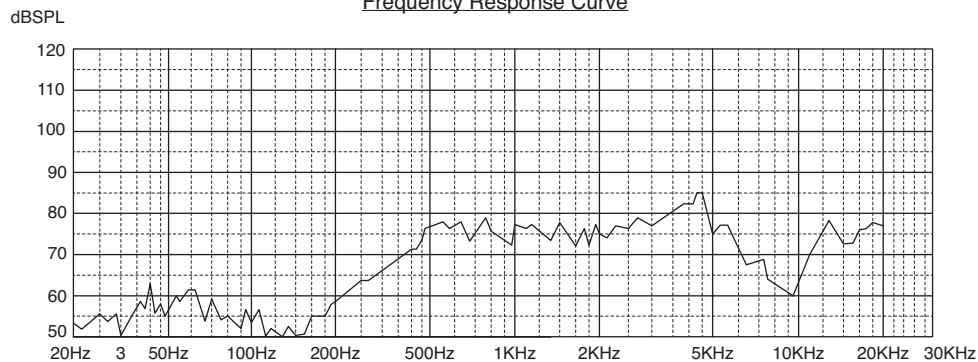


Part Number:

254-PS2032-RO



Frequency Response Curve



Speaker

KT-400563

Electrical Specifications:

- Nominal Impedance: $32\Omega \pm 15\%$ at 1000Hz
- Power Rating: Normal 0.2W, Maximum 0.3W
- Lowest Resonant Frequency: 650 ± 150 Hz
- Output Sound Pressure Level: 76 ± 3 dB/0.2W, 0.5 Meter
Average at 1000, 1200, 1500, 2000Hz
- Frequency Range: 400~6500Hz, Average SPL -10dB

Materials:

- Magnet: NdFeB
- Weight: ~2.2 grams

Notes:

- RoHS Compliant