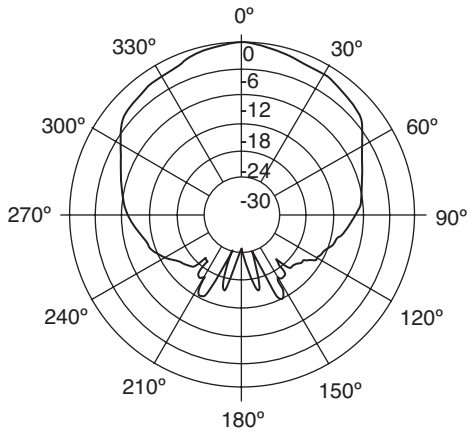


**Part Number:**

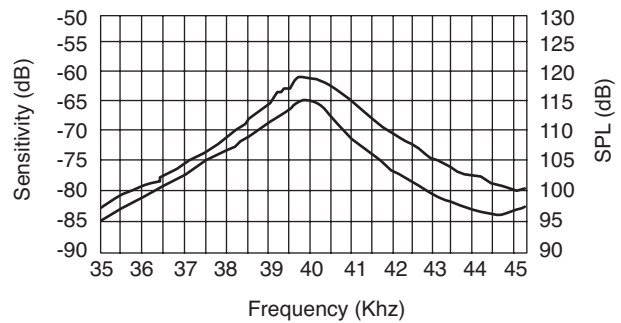
255-400ST12M-ROX  
255-400SR12M-ROX

Ultrasonic Transducers

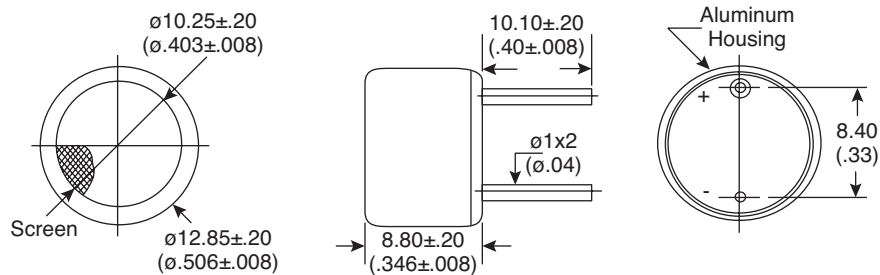
**Beam Angle**  
Tested at 40.0Khz Frequency



**Sensitivity/Sound Pressure Level**  
Tested under 10Vrms @ 30cm



**Dimensions: mm**



KT-400482

**Electrical Specifications:**

- Center frequency ( $f_0$ ): 40.0KHz  $\pm$  1.0KHz
- SPL @  $f_0$ : 255-400ST12M-ROX = 115dB min at 40KHz; 0dB re 0.0002  $\mu$ bar per 10Vrms at 30cm
- Sensitivity @  $f_0$ : 255-400SR12M-ROX = -67dB min. (0dB = 1V/ $\mu$  bar)
- Bandwidth: 2KHz@-6dB
- Capacitance: 2,400pF  $\pm$  20%@1KHz

**Soldering Process:**

- Reflow Temperature: 250°C

**Mechanical Specifications:**

- Type: Transmitter: 255-400ST12M-ROX  
Receiver: 255-400SR12M-ROX
- Operating temperature: -30°C ~ +70°C
- Storage temperature: -40°C ~ +80°C

**Note:**

- RoHS Compliant by Exemption