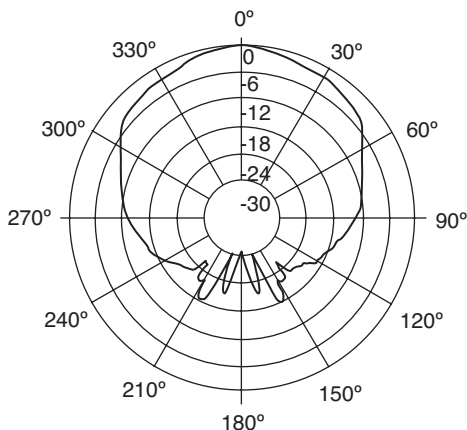


Part Number:

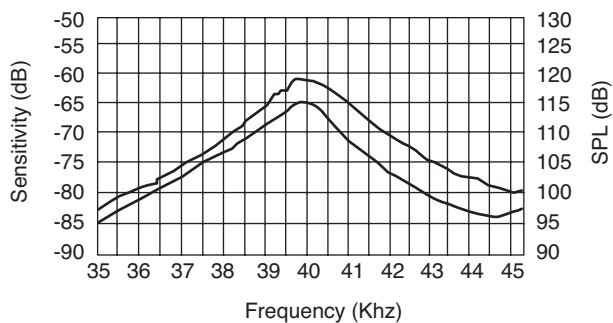
255-400ST12M-ROX
255-400SR12M-ROX

Ultrasonic Transducers

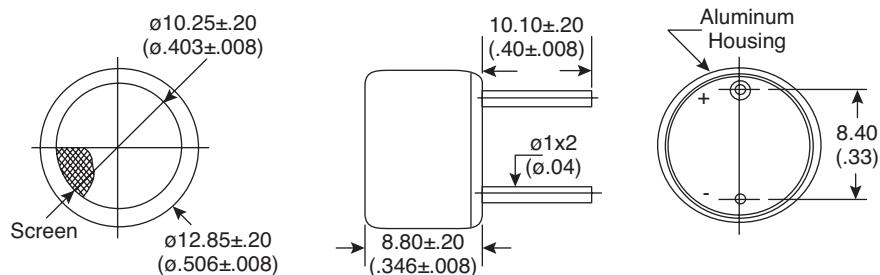
Beam Angle
Tested at 40.0Khz Frequency



Sensitivity/Sound Pressure Level
Tested under 10Vrms @ 30cm



Dimensions: mm



KT-400482

Electrical Specifications:

- Center frequency (f_0): 40.0KHz \pm 1.0KHz
- SPL @ f_0 : 255-400ST12M-ROX = 115dB min at 40KHz; 0dB re 0.0002 μ bar per 10Vrms at 30cm
- Sensitivity @ f_0 : 255-400SR12M-ROX = -67dB min. (0dB = 1V/ μ bar)
- Bandwidth: 2KHz@-6dB
- Capacitance: 2,400pF \pm 20%@1KHz

Soldering Process:

- Reflow Temperature: 250°C

Mechanical Specifications:

- Type: Transmitter: 255-400ST12M-ROX
Receiver: 255-400SR12M-ROX
- Operating temperature: -30°C ~ +70°C
- Storage temperature: -40°C ~ +80°C

Note:

- RoHS Compliant by Exemption