

## CLASS G FUSEBLOCKS



### Description

All Littelfuse Class G fuseblocks offer snap-to-release DIN Rail Mounting feature and universal mounting holes. Class G fuseblocks are designed for use with time-delay current limiting Class G fuses.

### Features/Benefits

- Meet requirements for branch circuit protection
- One hand release from DIN Rail (snap-to-release) for several blocks
- Universal mounting holes make for easy replacement
- DIN Rail mountability

### Recommended Fuses

SLC series fuses

### Specifications

<b>Voltage Ratings:</b>	600 VAC (0–20 A) 480 VAC (25–60 A)
<b>Ampere Ratings:</b>	0–60 A
<b>Flammability Rating:</b>	UL94 V-0
<b>Approvals:</b>	UL Listed (File No. E14721) CSA Certified (File No. LR7091)

### Web Resources

For additional technical information visit:  
[www.littelfuse.com/fuseblocks](http://www.littelfuse.com/fuseblocks)

### Ordering Information (Class G 600 V)

AMP RATING	POLES	CATALOG/SYSTEM NUMBER				WIRE MATERIAL	WIRE TYPE	BASE TEMP RATING	SNAP TO RELEASE	(600 V)			
		BASE PART NUMBER	SUFFIX							AMP RATING	TERMINAL INFORMATION		
			BOX LUG	PRESSURE PLATE	SCREW						TERMINAL	WIRE RANGE	TORQUE
15	1	LFG600151	CDINR	PQDINR	SQDINR	Cu Only	Solid/Stranded	150° C	•	15	Box Lug	6-14 AWG	4.0 N-m (35 in-lbs)
	2	LFG600152	CDINR	PQDINR	SQDINR					Pressure Plate	10-14 AWG	2.3 N-m (20 in-lbs)	
	3	LFG600153	CDINR	PQDINR	SQDINR					Screw	10-14 AWG	2.3 N-m (20 in-lbs)	
20	1	LFG600201	CDINR	PQDINR	SQDINR	Cu Only	Solid/Stranded	150° C	•	20	Box Lug	6-14 AWG	4.0 N-m (35 in-lbs)
	2	LFG600202	CDINR	PQDINR	SQDINR					Pressure Plate	10-14 AWG	2.3 N-m (20 in-lbs)	
	3	LFG600203	CDINR	PQDINR	SQDINR					Screw	10-14 AWG	2.3 N-m (20 in-lbs)	

### Ordering Information (Class G 480 V)

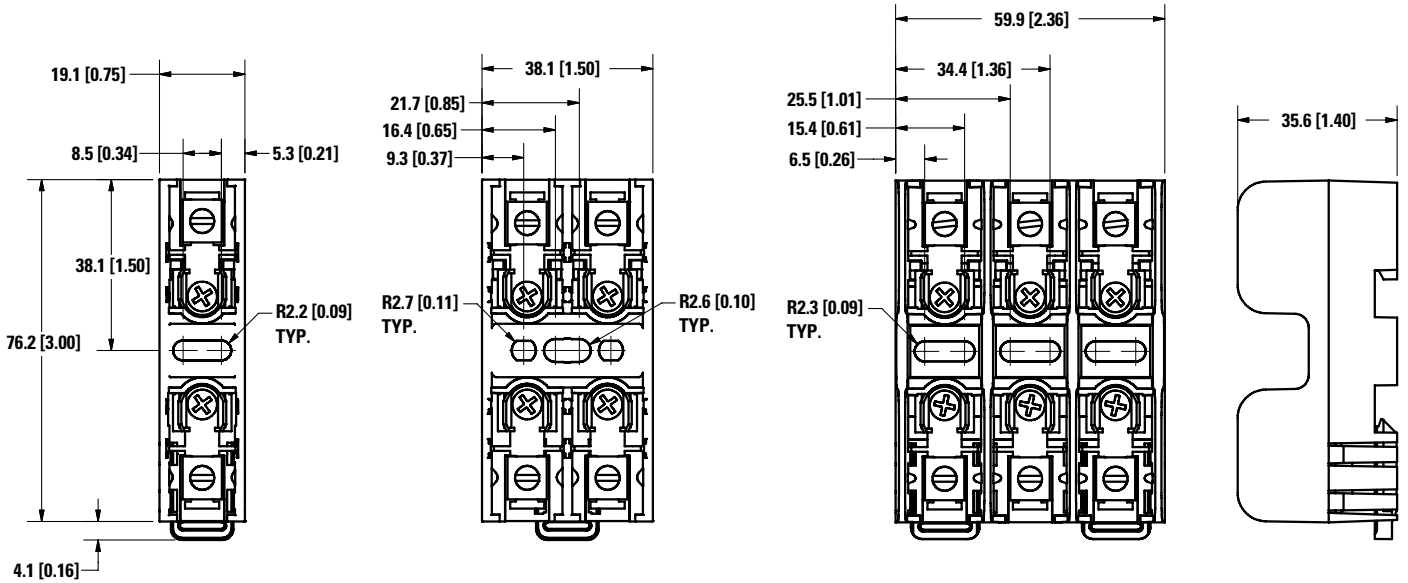
AMP RATING	POLES	CATALOG/SYSTEM NUMBER				WIRE MATERIAL	WIRE TYPE	BASE TEMP RATING	SNAP TO RELEASE	(480 V)			
		BASE PART NUMBER	SUFFIX							AMP RATING	TERMINAL INFORMATION		
			BOX LUG	PRESSURE PLATE	SCREW						TERMINAL	WIRE RANGE	TORQUE
30	1	LFG480301	CDINR	PQDINR	SQDINR	Cu Only	Solid/Stranded	150° C	•	30	Box Lug	6-14 AWG	4.0 N-m (35 in-lbs)
	2	LFG480302	CDINR	PQDINR	SQDINR	Cu Only				Pressure Plate	10-14 AWG	2.3 N-m (20 in-lbs)	
	3	LFG480303	CDINR	PQDINR	SQDINR	Cu Only				Screw	10-14 AWG	2.3 N-m (20 in-lbs)	
60	1	LFG480601	CDINR			Cu/Al	Solid/Stranded	125° C	•	60	Box Lug	2-4 AWG	5.6 N-m (50 in-lbs)
	2	LFG480602	CDINR			Cu/Al				Box Lug	6-14 AWG	2.8 N-m (25 in-lbs)	
	3	LFG480603	CDINR										

# CLASS G FUSEBLOCKS

## Dimensions in mm (inches)

600 V 15 & 20 A

480 V 30 A



480 V 60 A

