

**GENERAL OPERATING CHARACTERISTICS**

PRESSURE RANGE	0 TO 775 mmHg (0 TO 15 PSIG)
OVERPRESSURE	3103 mmHg (60 PSI)
TEMPERATURE RANGES	
STORAGE	-55°C TO +125°C
OPERATE	-40°C TO +85°C
COMPENSATED	0°C TO +50°C
SUPPLY VOLTAGE	16 VDC MAX
INPUT RESISTANCE	6800 OHM TYP

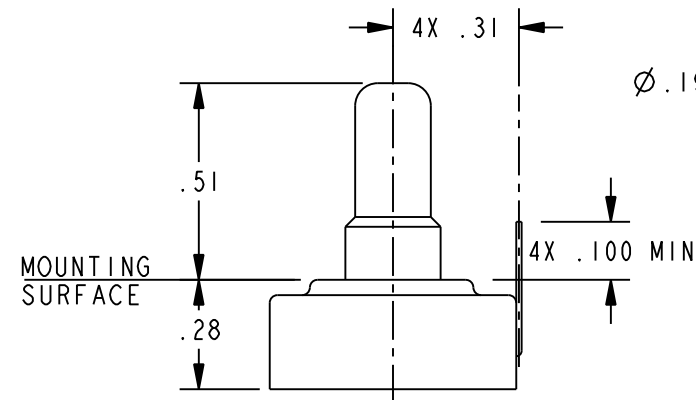
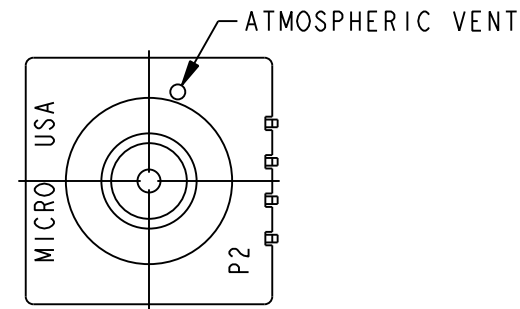
**ELECTRICAL PERFORMANCE AT 10.00±.01 VDC SUPPLY AND +25°C**

NULL OFFSET	0 ± 1 mV (AT 0 PSI)
F.S.O. $\triangle 3$	40 ± 1.5 mV (0 TO 15 PSI)
LINEARITY (BFSL)	
INPUT < VENT	.25% F.S.O. MAX $\triangle 3$
INPUT > VENT	.50% F.S.O. MAX $\triangle 3$
HYSTERESIS & REPEATABILITY	±.15% F.S.O. TYP $\triangle 3$

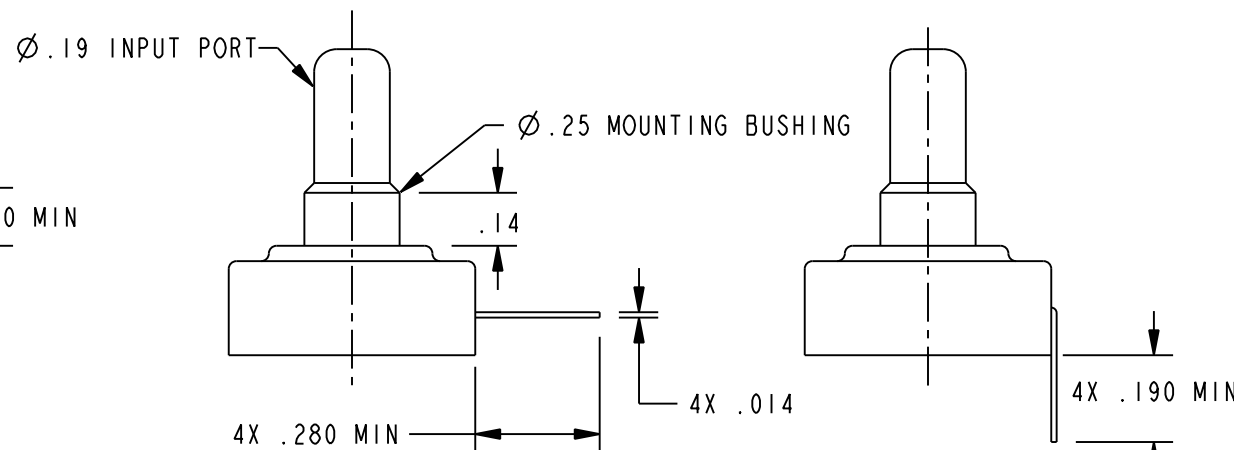
**TEMPERATURE ERROR (25°C TO 0°C OR +25°C TO +50°C)**

NULL SHIFT	±4 mV MAX
SENSITIVITY SHIFT	±3.0% F.S.O. MAX $\triangle 3$

CATALOG LISTING	TERMINAL STYLE
136PC15G1L	1 $\triangle 4$
136PC15G2L	2 $\triangle 4$
136PC15G1L23	1 $\triangle 5$
136PC15G3L23	3 $\triangle 5$

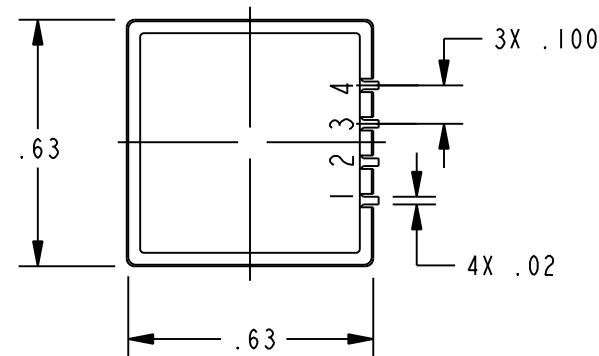


STYLE 1



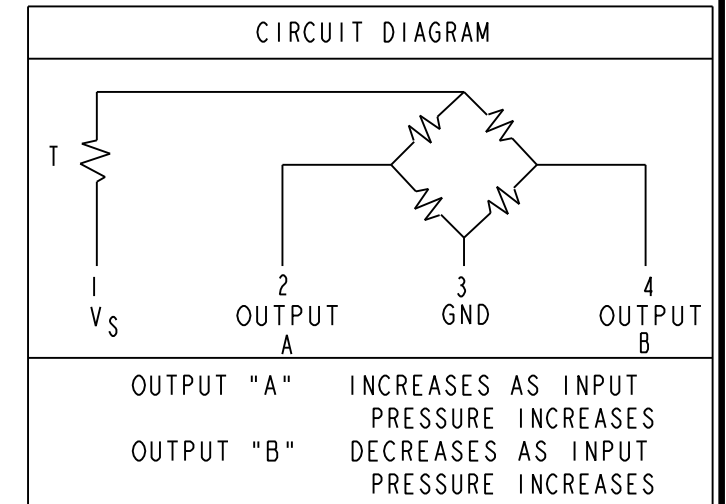
STYLE 2

STYLE 3



**NOTES**

- 1 - TERMINALS ARE PLATED FOR SOLDERING
- 2 - LIMIT SOLDERING TO 315°C MAX FOR 10 SECONDS MAX
- $\triangle 3$  F.S.O. IS THE ALGEBRAIC DIFFERENCE BETWEEN THE OUTPUT END POINTS (NULL AND FULL PRESSURE)
- $\triangle 4$  INPUT MEDIA LIMITED ONLY TO THOSE MEDIA THAT WILL NOT ATTACK POLYESTER, SILICON OR SILICONE BASED ADHESIVE MATERIAL SELECTED FOR RESISTANCE TO GASOLINE AND GASOLINE VAPORS
- $\triangle 5$



THIRD ANGLE PROJECTION	
SCALE	2 : 1
DO NOT SCALE PRINT	
UNLESS OTHERWISE SPECIFIED TOLERANCES ARE	
ONE PLACE (.0)	±.030
TWO PLACE (.00)	±.015
THREE PLACE (.000)	±.005
ANGLES	±
WEIGHT	

CATALOG LISTING 136PC15G SERIES CHART 2

ISSUE 16

REVISIONS  
A 206109  
30 JUL 02  
B 0011992  
29MAR05

CHECK 29MAR05  
AK  
CHECK 30 JUL 02  
SAV  
CHECK 30 JUL 02

PTC/CAD 2D  
DRAWN  
D L T 30 JUL 02