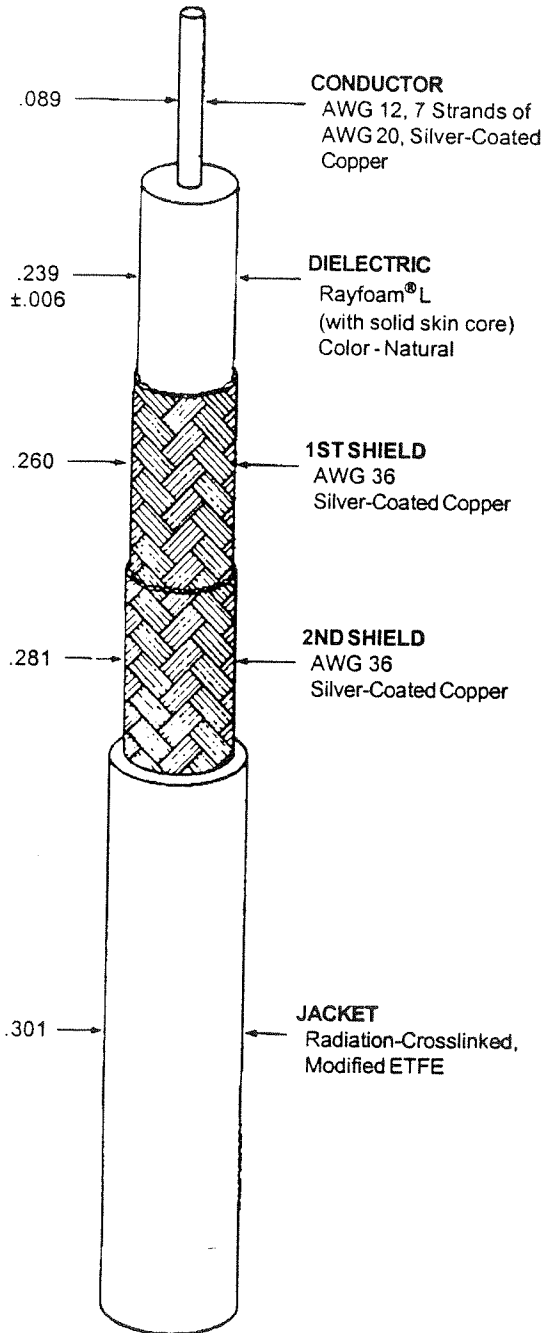


THIS SPECIFICATION SHEET FORMS A PART OF THE LATEST ISSUE OF RAYCHEM SPECIFICATION 1200.

CONSTRUCTION DETAILS

DIMENSIONS ARE NOMINAL VALUES IN INCHES UNLESS OTHERWISE DESIGNATED.



Outer jacket color will be black (designated by a "-0" appended to a part number, e.g., 5012H3012-0) unless otherwise specified.

Designate outer jacket color with a dash number in accordance with MIL-STD-681.

ELECTRICAL CHARACTERISTICS

CHARACTERISTIC IMPEDANCE	50 ± 2 ohms, Method A
CAPACITANCE	25.0 pF/ft. (minimum)
VELOCITY OF PROPAGATION	77% (nominal)
ATTENUATION	6.2 dB/100 ft. (maximum) at 400 MHz

ADDITIONAL REQUIREMENTS

ELECTRICAL

CONDUCTOR RESISTANCE	1.7 ohms/1000ft. (nominal)
INSULATION RESISTANCE	10,000 megohms (minimum) for 1000ft.
JACKET FLAWS	1.0 kV (rms), 60 Hz
VOLTAGE WITHSTAND (DIELECTRIC)	1000 volts (rms) (minimum)
SHIELD RESISTANCE	2.2 ohms/1000ft. (nominal)
VSWR	FREQUENCY (Mhz) STRUCTURAL RETURN LOSS (db)
	2.8 - 24 15.6 (minimum)
	108 - 136 15.6 (minimum)
	960 - 1215 15.6 (minimum)
	4200 - 4400 14.0 (minimum)
	When terminated with approved connectors

ENVIRONMENTAL

AGING STABILITY	135°C/-55°C/8.00 inch mandrel
FLAMMABILITY	Method B
HEAT SHOCK	225°C
LOW TEMPERATURE-COLD BEND	-55°C/8.00 inch mandrel
SKYDROL RESISTANCE	24 hours at 50 ± 1°C, change in O.D. of 5% (maximum)
VOLTAGE WITHSTAND (POST ENVIRONMENTAL)	1000 volts (rms), 1 minute

PHYSICAL

INSULATION (DIELECTRIC) ELONGATION	50% (minimum)
TENSILE STRENGTH	800 lbf/in ² (minimum)
JACKET ELONGATION	50% (minimum)
TENSILE STRENGTH	5000 lbf/in ² (minimum)
JACKET THICKNESS	.010 inch (nominal)
SHIELD COVERAGE (EACH)	90% (minimum)
INSULATION (DIELECTRIC) CONCENTRICITY	75% (minimum)

PRODUCT IDENTIFICATION: The cable shall be marked in a contrasting color at 6 inch (nominal) intervals between marks as follows:
"5012H3012-06090"

Replaces EPD 5883

WEIGHT 67.9 lbs/1000 ft. (nominal)