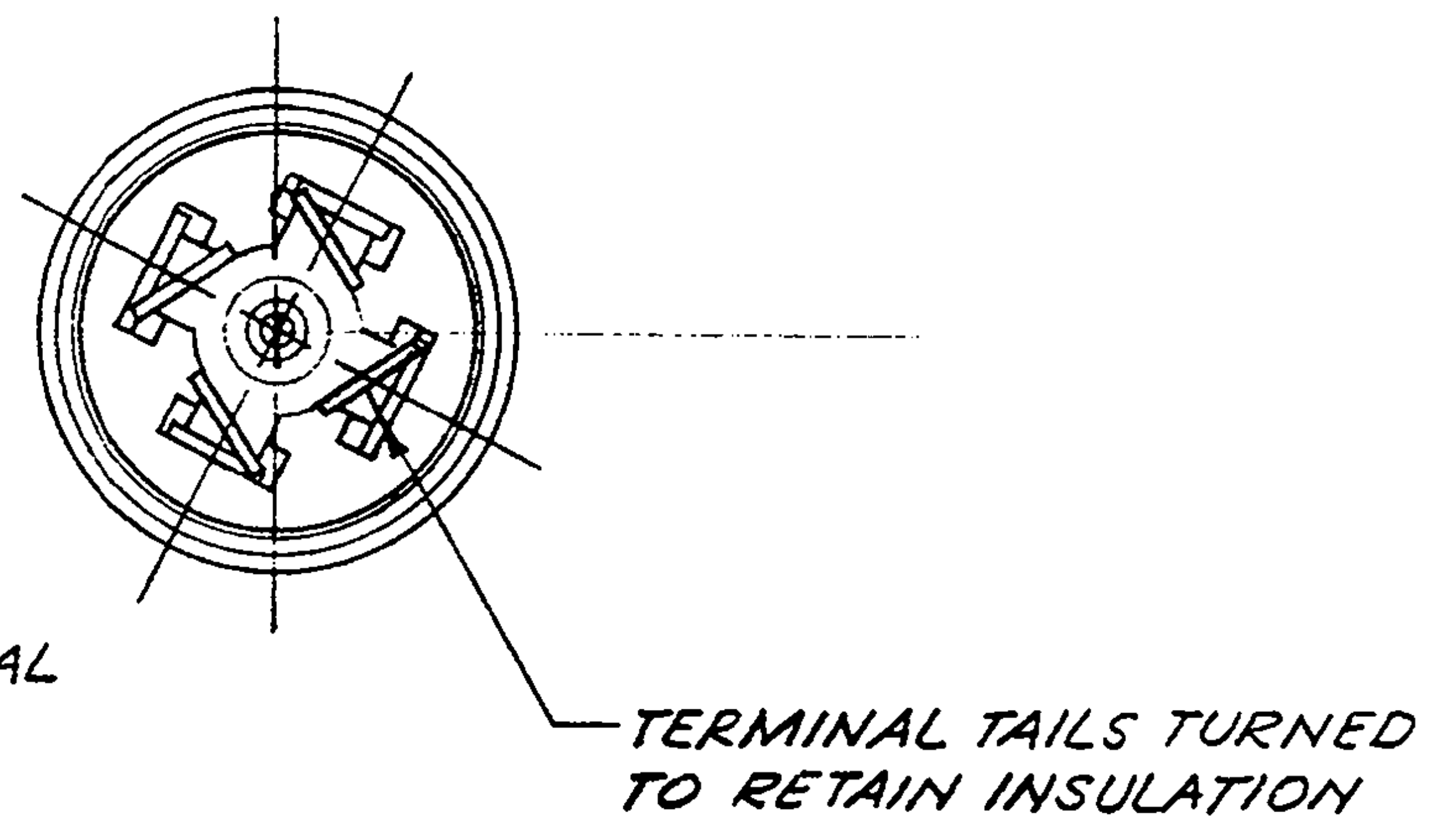
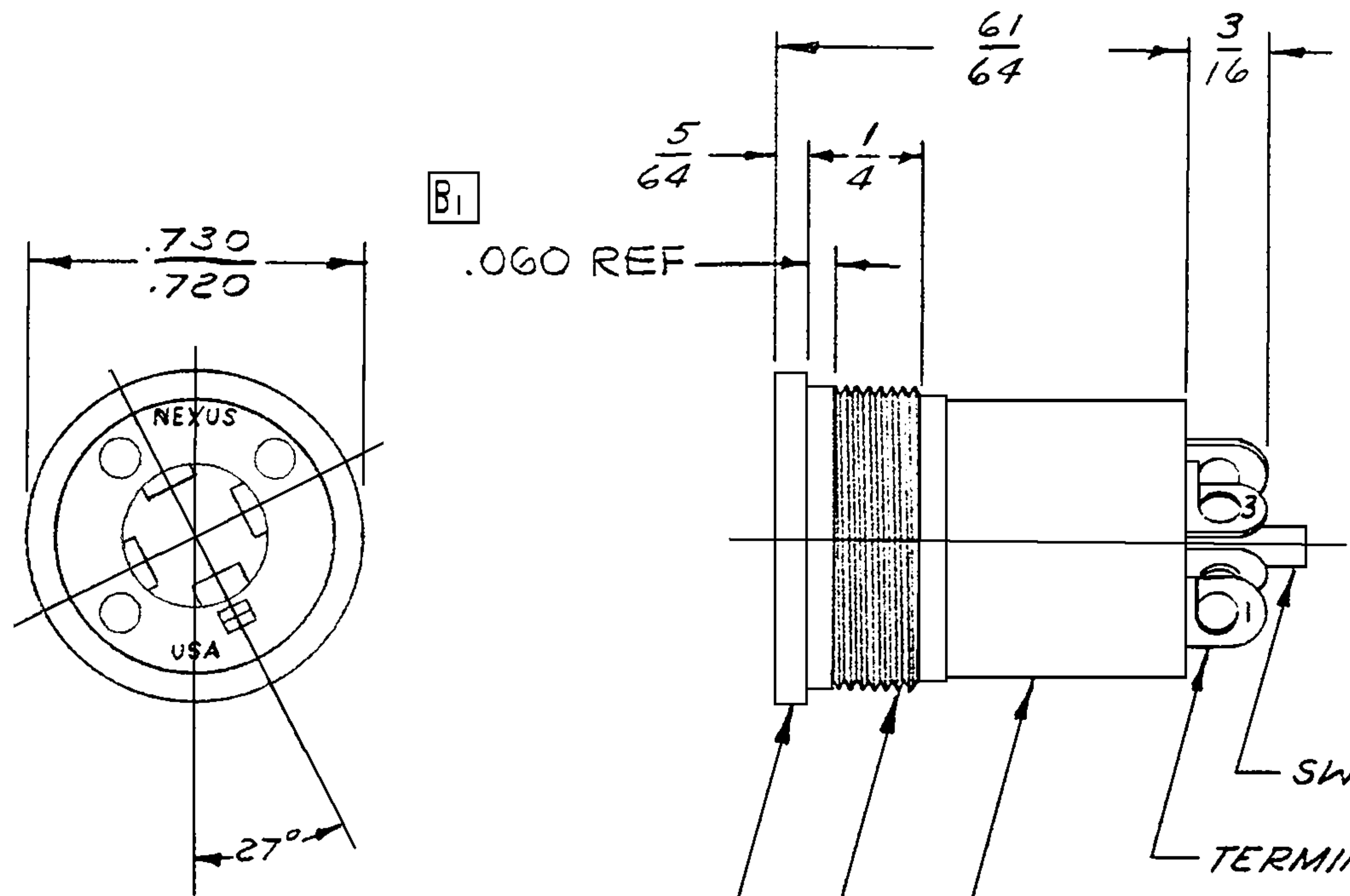


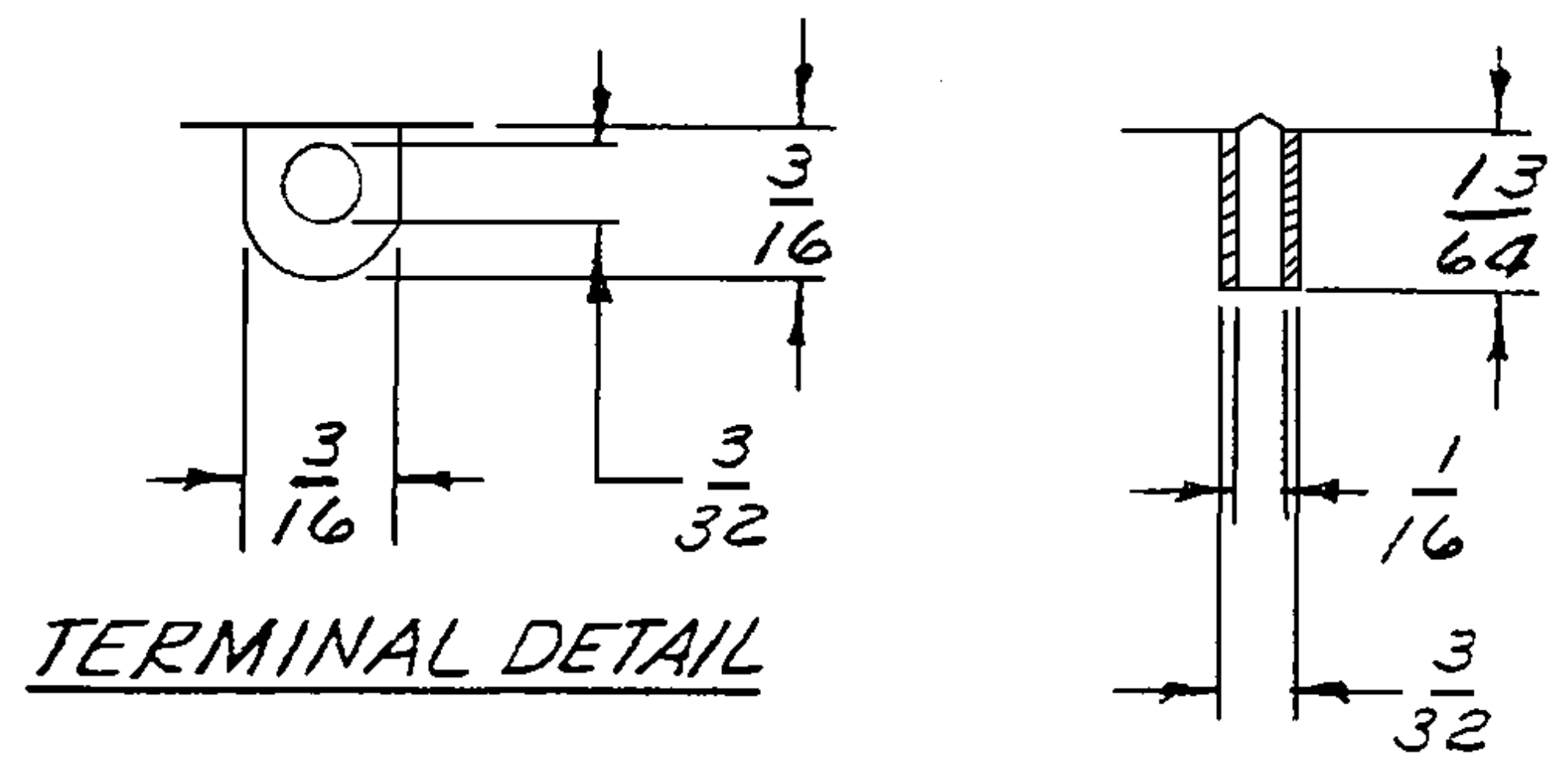
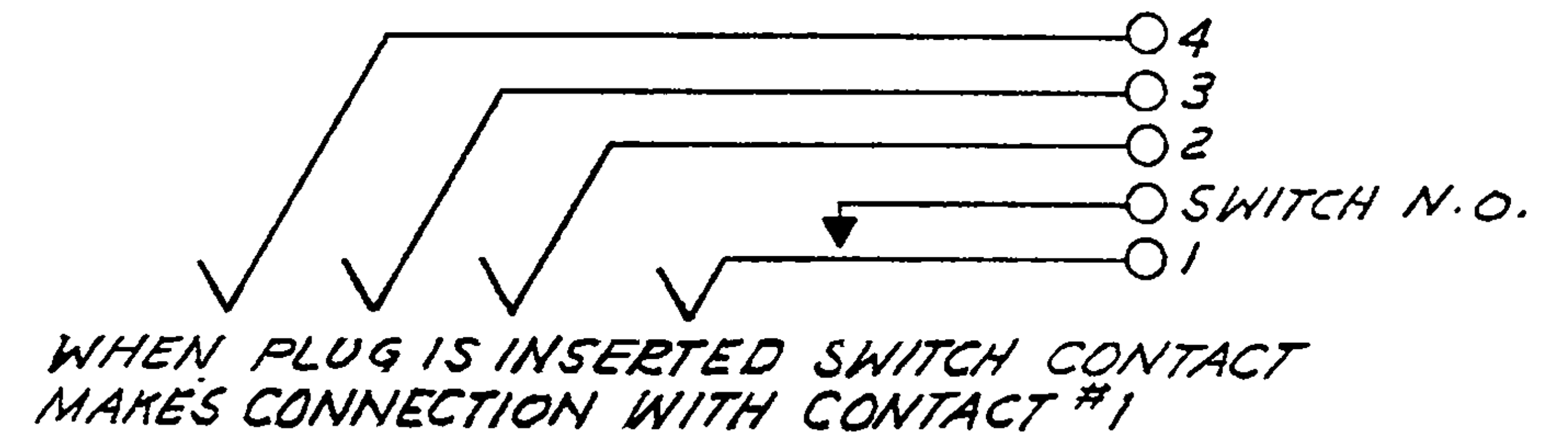
**B TJGT-120**

NOTES:-

1. SWITCH-TERMINAL & TERMINAL #1 ARE CLOSED WHEN TELEPHONE PLUG IS ASSEMBLED IN JACK.
2. TERMINALS #1, 2, 3 & 4 TO BE BERYL COPPER. SWITCH-TERMINAL TO BE BRASS.
3. ALL TERMINALS FINISHED PER QQ-N-290 TYPE I CLASS III NICKEL. SWITCH-TERMINAL TO BE GOLD FLASHED PER MIL-G-45204 TYPE II.
4. ASSEMBLY TO MAKE CONTACT WITH TELEPHONE PLUGS TYPE U-93/U, U-174/U & NEXUS TP-120



JACK SCHEMATIC



TERMINAL DETAIL

B	NOTE WAS FULL THREADED TO WITHIN .060	12/4/90	
A	REDRAWN	8-18-69	
LET.	REVISION	DATE	CHK.

DWN. BY <i>M. Ambro</i>	DATE 8-18-69	MATERIAL	
CHECKED BY		FINISH	
APPR. BY		WEIGHT	SCALE 2:1
		TITLE	
		TELEPHONE JACK FOUR CONDUCTOR WITH N.O. SWITCH	
		DO NOT SCALE DWG.	SHEET OF
		<b>NEXUS</b> STAMFORD, CONN. SIZE DWG. NO. B TJGT-120	