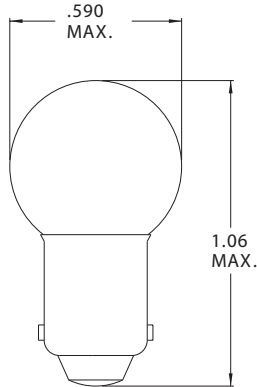
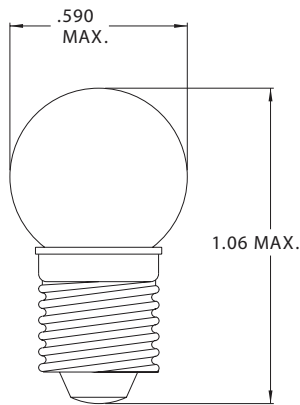


## G-4 1/2 Miniature Bayonet Base



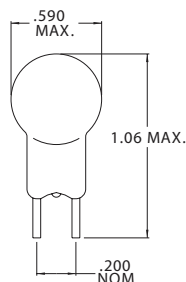
Part Number	Design Voltage	Amps	MSCP	Life Hours	Filament Type
CM427	5.0	.50	2.3	15	C-2R
CM503	5.1	.15	.60	100	C-2R
CM607	6.0	.50	3.6	3	C-2R
CM1406	6.0	.04	.10	250	C-6
CM604	6.15	.50	3.2	15	C-2R
CM55	7.0	.41	2.0	500	C-2R
CM1896	7.0	.50	2.2	1,500	C-2R
CM57	14.0	.24	2.0	500	C-2V
CM57X	14.0	.24	2.0	500	C-2F
CM293	14.0	.33	2.0	5,000	C-2F
CM431	14.0	.25	2.7	250	C-2V
CM1895	14.0	.27	2.0	1,500	C-2F
CM433	18.0	.25	3.5	250	C-2V
CM456	28.0	.17	2.0	5,000	C-2F

## G-4 1/2 Miniature Screw Base



Part Number	Design Voltage	Amps	MSCP	Life Hours	Filament Type
CM136	1.25	.60	.20	75	S-2
CM116	2.65	.41	.80	15	C-2R
CM27	4.90	.30	1.4	30	C-2R
CM425	5.00	.50	2.3	15	C-2
CM502	5.10	.15	.60	100	C-2R
CM1482	6.00	.45	2.2	100	C-2R
CM1483	6.00	.04	.10	500	C-6
CM31	6.15	.30	2.0	15	C-2R
CM605	6.15	.50	3.4	15	C-2R
CM428	12.50	.25	2.4	250	C-2V
CM430	14.0	.25	2.7	250	C-2R
CM432	18.0	.25	3.5	250	C-2V

## G-4 1/2 Miniature 2 Pin Base



Part Number	Design Voltage	Amps	MSCP	Life Hours	Filament Type
CM15	7.0	.40	2.0	500	C-6
CM20	14.0	.23	2.0	500	C-2R