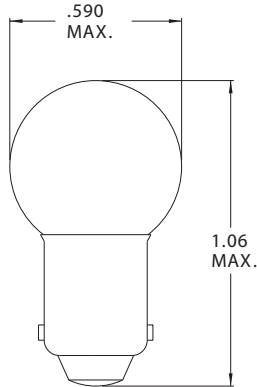
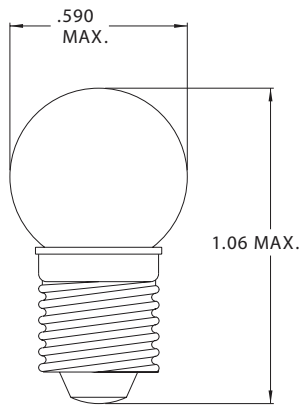


G-4 1/2 Miniature Bayonet Base



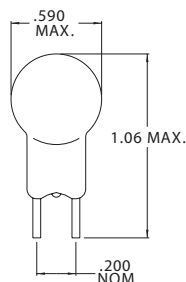
| Part Number | Design Voltage | Amps | MSCP | Life Hours | Filament Type |
|-------------|----------------|------|------|------------|---------------|
| CM427 | 5.0 | .50 | 2.3 | 15 | C-2R |
| CM503 | 5.1 | .15 | .60 | 100 | C-2R |
| CM607 | 6.0 | .50 | 3.6 | 3 | C-2R |
| CM1406 | 6.0 | .04 | .10 | 250 | C-6 |
| CM604 | 6.15 | .50 | 3.2 | 15 | C-2R |
| CM55 | 7.0 | .41 | 2.0 | 500 | C-2R |
| CM1896 | 7.0 | .50 | 2.2 | 1,500 | C-2R |
| CM57 | 14.0 | .24 | 2.0 | 500 | C-2V |
| CM57X | 14.0 | .24 | 2.0 | 500 | C-2F |
| CM293 | 14.0 | .33 | 2.0 | 5,000 | C-2F |
| CM431 | 14.0 | .25 | 2.7 | 250 | C-2V |
| CM1895 | 14.0 | .27 | 2.0 | 1,500 | C-2F |
| CM433 | 18.0 | .25 | 3.5 | 250 | C-2V |
| CM456 | 28.0 | .17 | 2.0 | 5,000 | C-2F |

G-4 1/2 Miniature Screw Base



| Part Number | Design Voltage | Amps | MSCP | Life Hours | Filament Type |
|-------------|----------------|------|------|------------|---------------|
| CM136 | 1.25 | .60 | .20 | 75 | S-2 |
| CM116 | 2.65 | .41 | .80 | 15 | C-2R |
| CM27 | 4.90 | .30 | 1.4 | 30 | C-2R |
| CM425 | 5.00 | .50 | 2.3 | 15 | C-2 |
| CM502 | 5.10 | .15 | .60 | 100 | C-2R |
| CM1482 | 6.00 | .45 | 2.2 | 100 | C-2R |
| CM1483 | 6.00 | .04 | .10 | 500 | C-6 |
| CM31 | 6.15 | .30 | 2.0 | 15 | C-2R |
| CM605 | 6.15 | .50 | 3.4 | 15 | C-2R |
| CM428 | 12.50 | .25 | 2.4 | 250 | C-2V |
| CM430 | 14.0 | .25 | 2.7 | 250 | C-2R |
| CM432 | 18.0 | .25 | 3.5 | 250 | C-2V |

G-4 1/2 Miniature 2 Pin Base



| Part Number | Design Voltage | Amps | MSCP | Life Hours | Filament Type |
|-------------|----------------|------|------|------------|---------------|
| CM15 | 7.0 | .40 | 2.0 | 500 | C-6 |
| CM20 | 14.0 | .23 | 2.0 | 500 | C-2R |