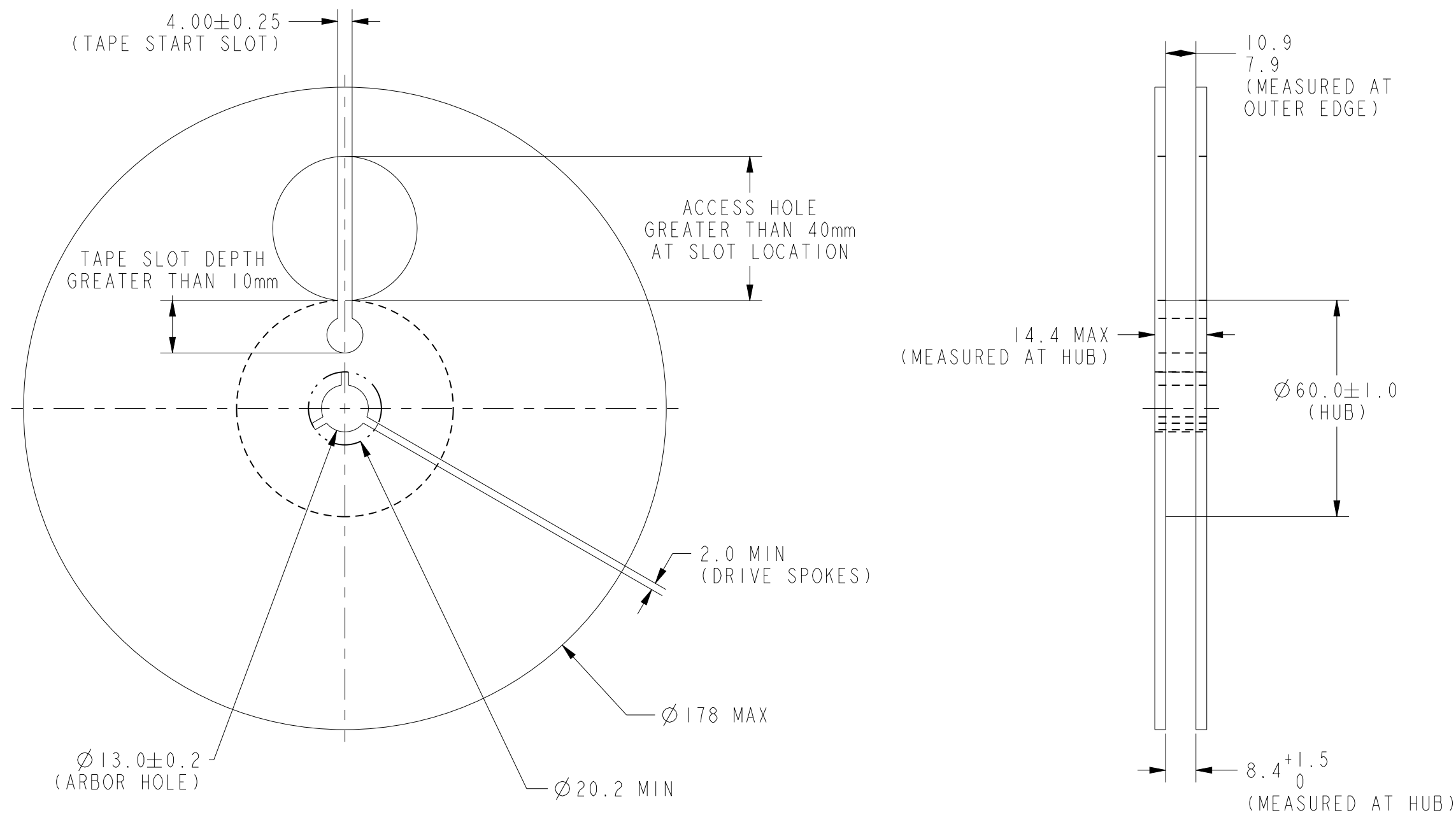
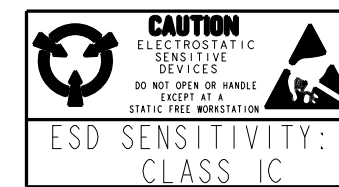


TAPE AND REEL DIMENSIONS 5



DIRECTION OF FEED FROM REEL

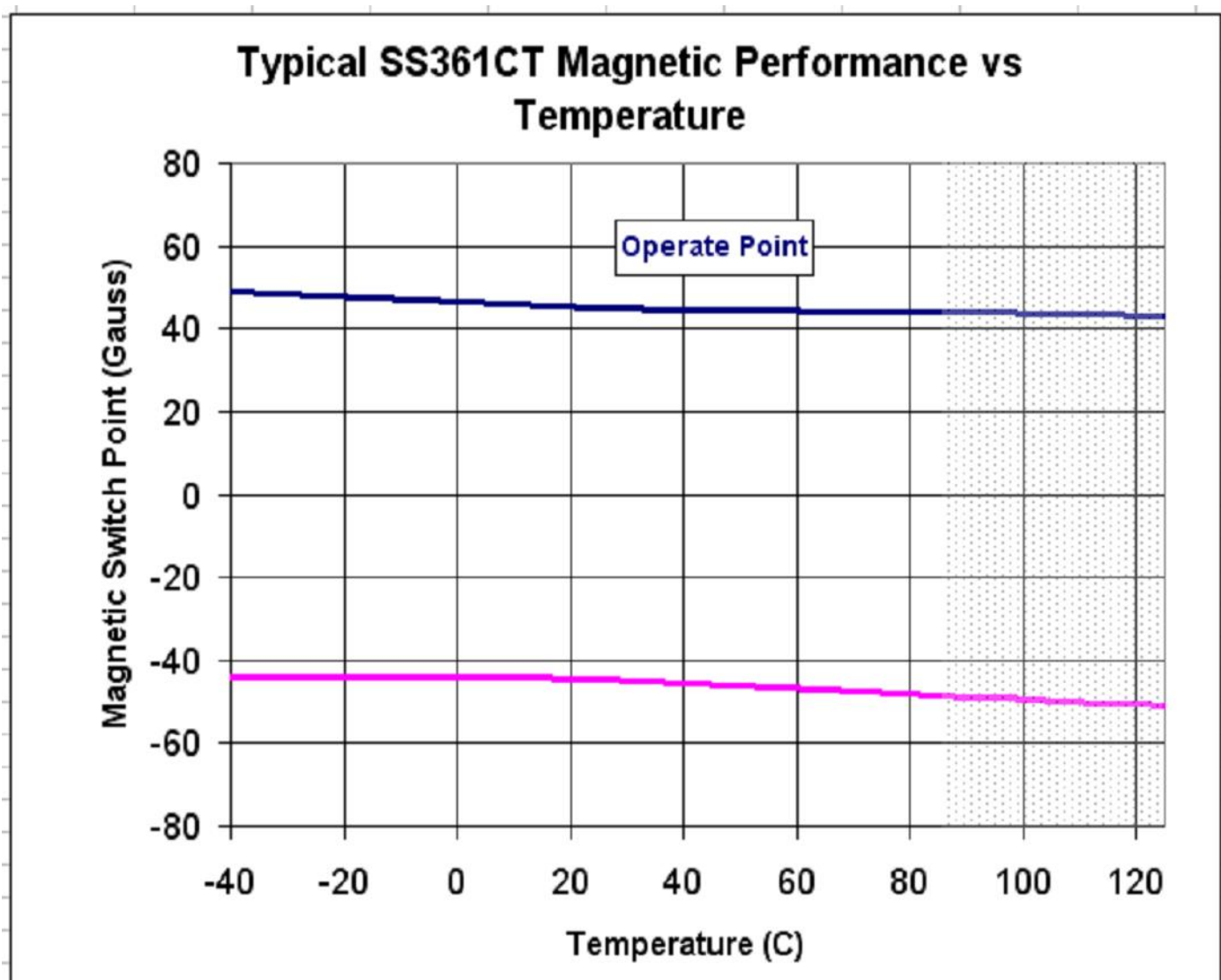


THIS DRAWING COVERS A PROPRIETARY ITEM AND IS THE PROPERTY OF HONEYWELL. THIS DRAWING IS NOT TO BE COPIED OR USED WITHOUT THE PERMISSION OF HONEYWELL.

Honeywell				
SIZE	TYPE	CAGE CODE	DRAWING NAME	REV
C	I	-	SS361CT	C
SCALE	NONE	SHEET		2 OF 3

CHARACTERISTICS ARE AT $V_s=4.0$ TO 24 VOLTS WITH 20 mA LOAD WITH \triangle \triangle
 $T_A=-40^{\circ}\text{C}$ TO $+125^{\circ}\text{C}$ UNLESS OTHERWISE NOTED

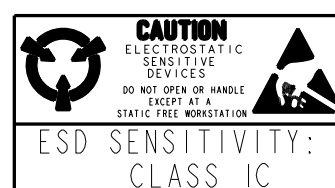
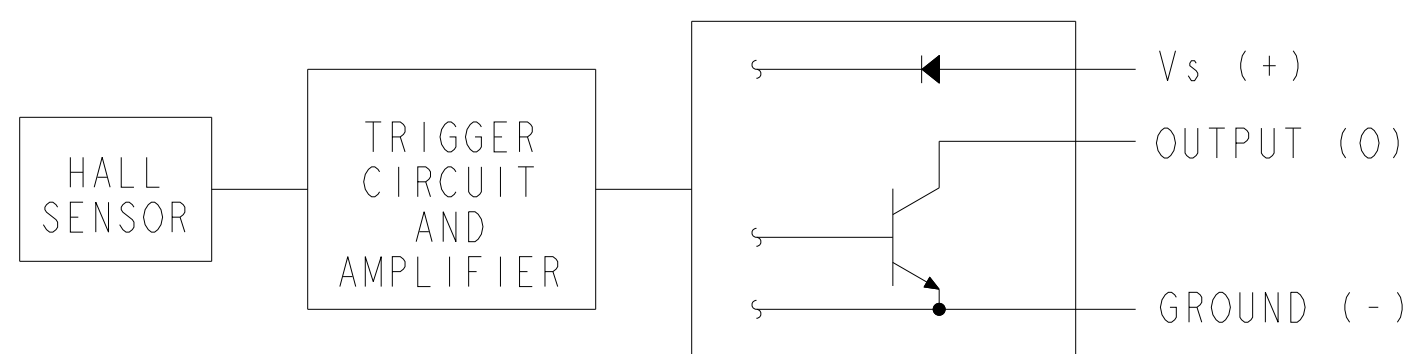
PARAMETER	CONDITIONS	MIN	TYP	MAX	UNITS
SUPPLY VOLTAGE	-40°C TO 125°C	4.0		24.0	VOLTS
SUPPLY CURRENT	$V_{\text{SUPPLY}}=5\text{V}$ AT 25°C		4.0	6.0	mA
				8.0	
OUTPUT CURRENT				20.0	mA
V_{sat}	GAUSS > 95			0.4	VOLTS
OUTPUT LEAKAGE	GAUSS < -95			10.0	μA
RISE TIME	25°C			1.5	μS
FALL TIME	25°C			1.5	μS
THERMAL RESISTANCE $R_{\theta JA}$	SINGLE LAYER, SINGLE SIDED PCB		303		$^{\circ}\text{C}/\text{W}$
OPERATE	-40°C TO 85°C	5	50	80	GAUSS
	-40°C TO 125°C	5	50	95	
RELEASE	-40°C TO 85°C	-80	-50	-5	GAUSS
	-40°C TO 125°C	-95	-50	-5	
DIFFERENTIAL	-40°C TO 85°C	50	100	160	GAUSS
	-40°C TO 125°C	50	100	190	
OPERATING TEMP		-40		+125	$^{\circ}\text{C}$
STORAGE TEMP		-40		+150	$^{\circ}\text{C}$



ABSOLUTE MAXIMUM RATINGS \triangle

PARAMETER	CONDITIONS	MIN	TYP	MAX	UNITS
SUPPLY VOLTAGE		-28.0		28.0	VOLTS
APPLIED OUTPUT VOLTAGE		-0.5		28.0	VOLTS
OUTPUT CURRENT				20.0	mA
MAGNETIC FLUX				NO LIMIT	GAUSS

BLOCK DIAGRAM CURRENT SINKING OUTPUT



THIS DRAWING COVERS A PROPRIETARY ITEM AND IS THE PROPERTY OF HONEYWELL. THIS DRAWING IS NOT TO BE COPIED OR USED WITHOUT THE PERMISSION OF HONEYWELL.

Honeywell				
SIZE	TYPE	CAGE CODE	DRAWING NAME	REV
C	I	-	SS361CT	C
SCALE	NONE		SHEET	3 OF 3