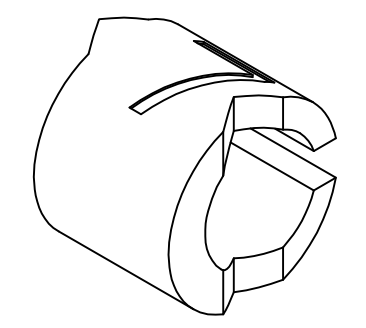
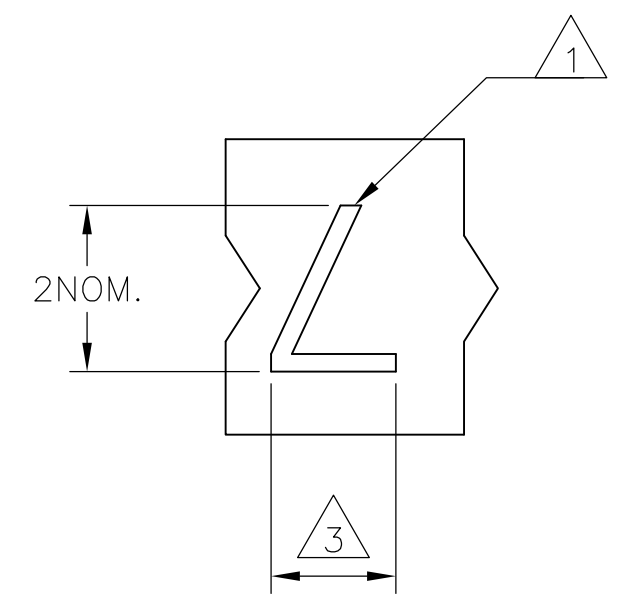
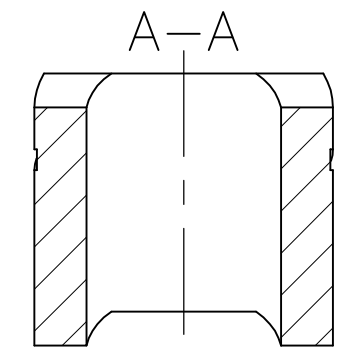
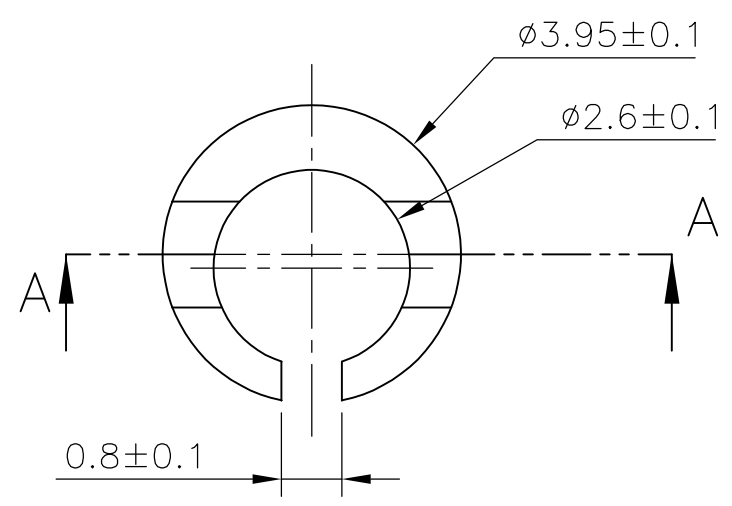
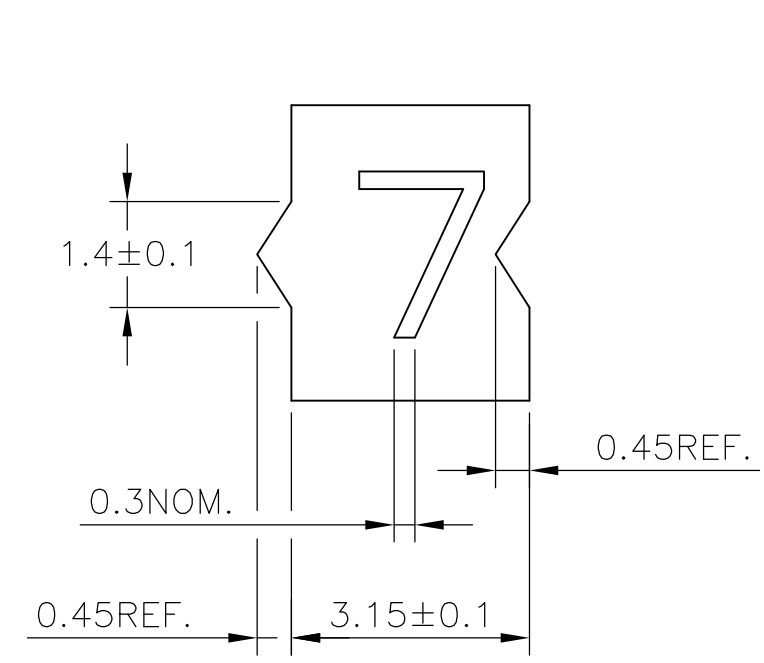


THIS DRAWING IS UNPUBLISHED. RELEASED FOR PUBLICATION  
 © COPYRIGHT - By - ALL RIGHTS RESERVED.

| REVISIONS |     |   |           |        |
|-----------|-----|---|-----------|--------|
| P         | LTR | DESCRIPTION                             | DATE      | APVD   |
| 2         |     | STRIKE THROUGH OBS PARTS. ECR-16-009538 | 08JUL2016 | AFK LS |



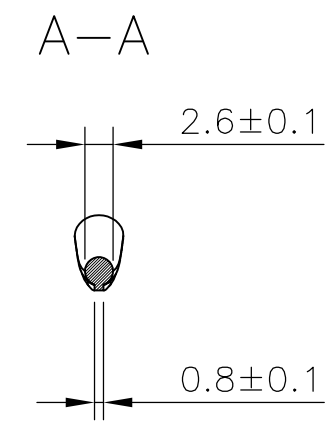
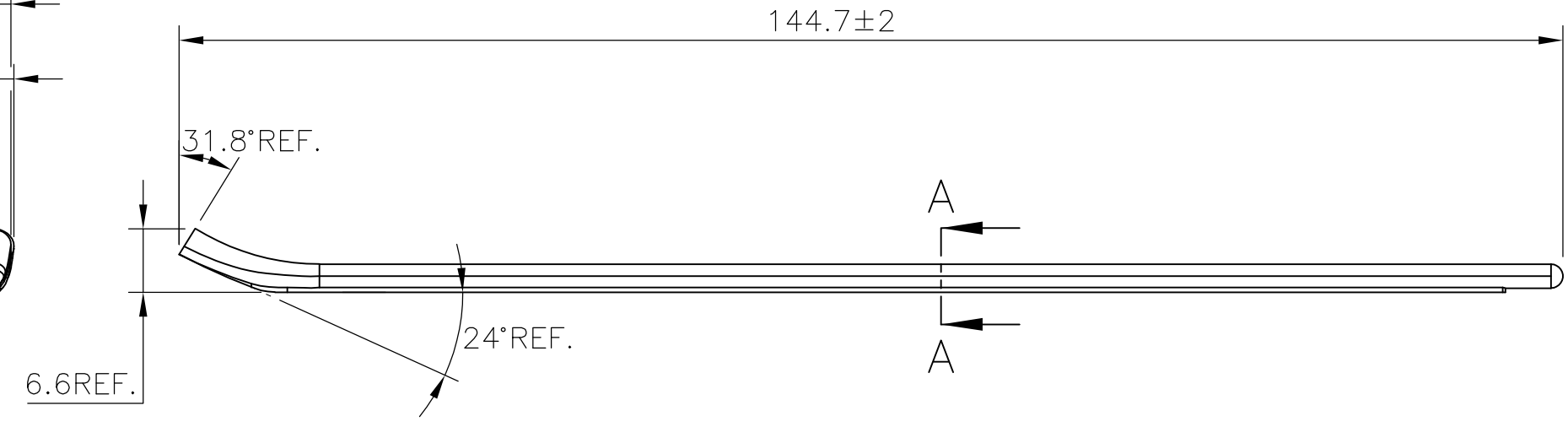
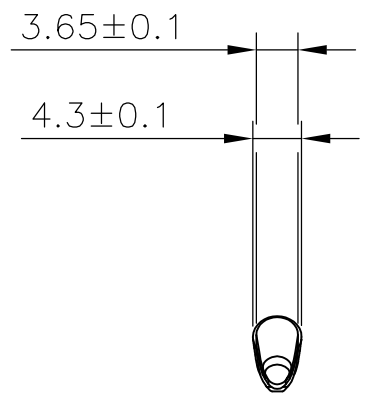
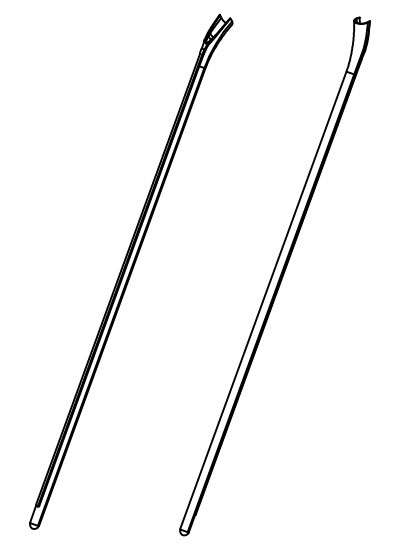
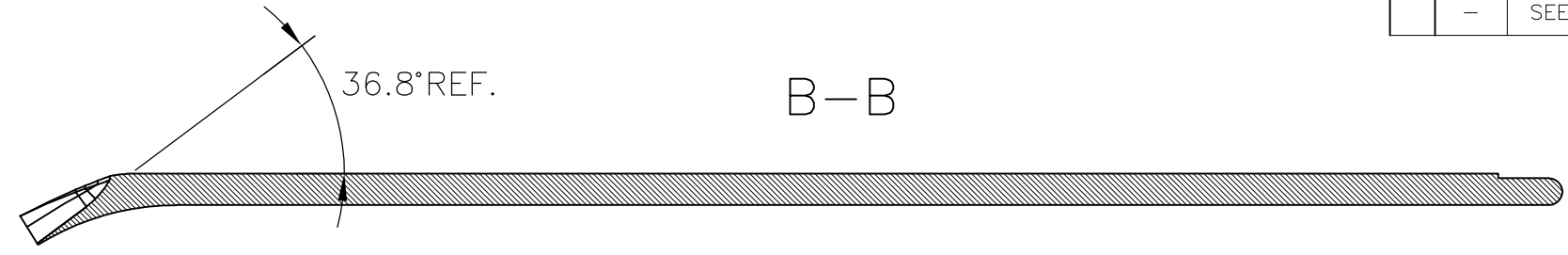
NOTES:

- 1 FOR PART NUMBER SEE SHEET 3 OF 3.
- 2 MARK SHOULD BE CENTRALLY POSITIONED  $\pm 0.1$ mm.
- 3 WIDTH OF MARK DEPENDS ON CHARACTER PRINTED

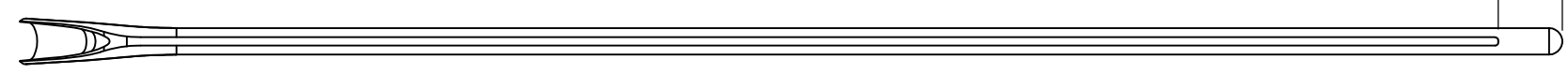
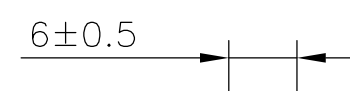
|  |     |                                    |   |                    |                             |       |     |       |     |       |     |        |     |                   |   |  |
|--|-----|------------------------------------|---|--------------------|-----------------------------|-------|-----|-------|-----|-------|-----|--------|-----|-------------------|---|--|
| THIS DRAWING IS A CONTROLLED DOCUMENT.   |     | DWN<br>RAGHAVENDRA K<br>25MAR2013  | TE Connectivity                                   |                    |                             |       |     |       |     |       |     |        |     |                   |   |  |
| DIMENSIONS:<br>mm  |     | CHK<br>KEAN ALAN<br>25MAR2013      |   |                    |                             |       |     |       |     |       |     |        |     |                   |   |  |
| TOLERANCES UNLESS OTHERWISE SPECIFIED:   |     | APVD<br>MARIO APPELLO<br>25MAR2013 | NAME<br>SNAP-ON MARKER STB/STD 06 WITH APPLICATOR |                    |                             |       |     |       |     |       |     |        |     |                   |   |  |
| <table border="0"> <tr><td>0 PLC</td><td>± -</td></tr> <tr><td>1 PLC</td><td>± -</td></tr> <tr><td>2 PLC</td><td>± -</td></tr> <tr><td>3 PLC</td><td>± -</td></tr> <tr><td>4 PLC</td><td>± -</td></tr> <tr><td>ANGLES</td><td>± -</td></tr> </table> |     | 0 PLC                              | ± -   | 1 PLC              | ± -                         | 2 PLC | ± - | 3 PLC | ± - | 4 PLC | ± - | ANGLES | ± - | PRODUCT SPEC<br>- | - |  |
| 0 PLC  | ± - |                                    |   |                    |                             |       |     |       |     |       |     |        |     |                   |   |  |
| 1 PLC  | ± - |                                    |   |                    |                             |       |     |       |     |       |     |        |     |                   |   |  |
| 2 PLC  | ± - |                                    |   |                    |                             |       |     |       |     |       |     |        |     |                   |   |  |
| 3 PLC  | ± - |                                    |   |                    |                             |       |     |       |     |       |     |        |     |                   |   |  |
| 4 PLC  | ± - |                                    |   |                    |                             |       |     |       |     |       |     |        |     |                   |   |  |
| ANGLES   | ± - |                                    |   |                    |                             |       |     |       |     |       |     |        |     |                   |   |  |
| MATERIAL<br>-  |     | FINISH<br>-                        | APPLICATION SPEC<br>-                             | -                  |                             |       |     |       |     |       |     |        |     |                   |   |  |
|  |     | WEIGHT<br>0                        | SIZE<br>A3  | CAGE CODE<br>00779 | DRAWING NO<br>C-8-1198163-2 |       |     |       |     |       |     |        |     |                   |   |  |
| CUSTOMER DRAWING   |     |                                    | SCALE<br>NTS                                      | SHEET<br>1 OF 3    | REV<br>2                    |       |     |       |     |       |     |        |     |                   |   |  |

THIS DRAWING IS UNPUBLISHED. RELEASED FOR PUBLICATION  
 © COPYRIGHT - By - ALL RIGHTS RESERVED.

| REVISIONS |     |             |      |     |      |
|-----------|-----|-------------|------|-----|------|
| P         | LTR | DESCRIPTION | DATE | DWN | APVD |
| -         | -   | SEE SHEET 1 | -    | -   | -    |



6.6 REF.



|   |  |                                    |   |                 |                    |                             |                    |
|---|--|------------------------------------|---|-----------------|--------------------|-----------------------------|--------------------|
| THIS DRAWING IS A CONTROLLED DOCUMENT.                                      |  | DWN<br>RAGHAVENDRA K<br>25MAR2013  | TE Connectivity                                   |                 |                    |                             |                    |
| DIMENSIONS:<br>mm   |  | CHK<br>KEAN ALAN<br>25MAR2013      |   |                 |                    |                             |                    |
| TOLERANCES UNLESS OTHERWISE SPECIFIED:                                      |  | APVD<br>MARIO APPELLO<br>25MAR2013 | NAME<br>SNAP-ON MARKER STB/STD 06 WITH APPLICATOR |                 |                    |                             |                    |
| 0 PLC ± -<br>1 PLC ± -<br>2 PLC ± -<br>3 PLC ± -<br>4 PLC ± -<br>ANGLES ± - |  | PRODUCT SPEC<br>-                  | APPLICATION SPEC<br>-                             |                 |                    |                             |                    |
| MATERIAL<br>-   |  | FINISH<br>-                        | WEIGHT<br>-                                       | SIZE<br>A3      | CAGE CODE<br>00779 | DRAWING NO<br>C-8-1198163-2 | RESTRICTED TO<br>- |
| CUSTOMER DRAWING  |  |                                    | SCALE<br>NTS                                      | SHEET<br>2 OF 3 | REV<br>2           |                             |                    |

THIS DRAWING IS UNPUBLISHED.

RELEASED FOR PUBLICATION

REVISIONS

© COPYRIGHT - By -

ALL RIGHTS RESERVED.

| P | LTR | DESCRIPTION | DATE | DWN | APVD |
|---|-----|-------------|------|-----|------|
| - | -   | SEE SHEET 1 | -    | -   | -    |

| DESCRIPTION   | PART NO.    |
|---------------|-------------|
| STB06-0-0     | 3-1768038-3 |
| STB06-1-1     | 3-1768038-8 |
| STB06-2-2     | 4-1768038-4 |
| STB06-2-6     | 4-1768038-6 |
| STB06-3-3     | 5-1768038-0 |
| STB06-5-5     | 6-1768038-0 |
| STB06-6-6     | 6-1768038-5 |
| STB06-7-7     | 7-1768038-1 |
| STB06-8-8     | 7-1768038-6 |
| STB06-BLANK-0 | 8-1768038-4 |
| STB06-BLANK-1 | 8-1768038-5 |
| STB06-BLANK-2 | 8-1768038-6 |
| STB06-BLANK-3 | 8-1768038-7 |
| STB06-BLANK-5 | 8-1768038-8 |
| STB06-BLANK-6 | 8-1768038-9 |
| STB06-BLANK-7 | 9-1768038-0 |
| STB06-BLANK-8 | 9-1768038-1 |
| STD06W/1-12   | 7-1768710-7 |
| STD06W/1-18   | 7-1768710-8 |
| STD06W/SA     | 8-1768043-7 |
| STD06W/SAB    | 8-1768043-8 |
| STD06W/SB     | 8-1768043-9 |
| STD06W-0      | 134056-000  |
| STD06W-1      | 712904-000  |
| STD06W-2      | 478630-000  |
| STD06W-3      | 991038-000  |
| STD06W-4      | 662434-000  |
| STD06W-5      | 531934-000  |
| STD06W-6      | 177598-000  |
| STD06W-7      | 632126-000  |

| DESCRIPTION            | PART NO.               |
|------------------------|------------------------|
| STD06W-8               | 384682-000             |
| STD06W-9               | 965848-000             |
| STD06W-A               | 465694-000             |
| STD06W-AC              | 9-1768043-0            |
| <del>STD06W-A-LC</del> | <del>9-1768043-1</del> |
| STD06W-B               | 390550-000             |
| STD06W-BLANK           | 114376-000             |
| <del>STD06W-B-LC</del> | <del>9-1768043-2</del> |
| STD06W-C               | 286932-000             |
| STD06W-COLON           | 046438-000             |
| STD06W-D               | 651444-000             |
| STD06W-DOT             | 9-1768043-4            |
| STD06W-E               | 574158-000             |
| STD06W-EARTH           | 9-1768043-5            |
| STD06W-F               | 235542-000             |
| STD06W-G               | 578874-000             |
| STD06W-H               | 459916-000             |
| STD06W-I               | 195488-000             |
| STD06W-J               | 257040-000             |
| STD06W-K               | 573384-000             |
| <del>STD06W-K-LC</del> | <del>1768044-2</del>   |
| STD06W-L               | 234826-000             |
| <del>STD06W-L-LC</del> | <del>1768044-3</del>   |
| STD06W-M               | 273236-000             |
| STD06W-MINUS           | 1768044-4              |
| STD06W-N               | 928608-000             |
| <del>STD06W-N-LC</del> | <del>1768044-6</del>   |
| STD06W-P               | 588992-000             |
| STD06W-PLUS            | 1768044-7              |
| STD06W-Q               | 168296-000             |

| DESCRIPTION            | PART NO.               |
|------------------------|------------------------|
| STD06W-R               | 455404-000             |
| STD06W-S               | 220668-000             |
| STD06W-SLASH           | 094824-000             |
| STD06W-T               | 819568-000             |
| STD06W-U               | 639630-000             |
| STD06W-V               | 683320-000             |
| STD06W-W               | 015462-000             |
| STD06W-X               | 061564-000             |
| STD06W-Y               | 004924-000             |
| STD06W-Z               | 217706-000             |
| STD06Y/SA              | 1-1768044-1            |
| STD06Y-0               | 459072-000             |
| STD06Y-1               | 474550-000             |
| STD06Y-2               | 493356-000             |
| STD06Y-3               | 444122-000             |
| STD06Y-4               | 805984-000             |
| STD06Y-5               | 092458-000             |
| STD06Y-6               | 226310-000             |
| STD06Y-7               | 677496-000             |
| STD06Y-8               | 729268-000             |
| STD06Y-9               | 978452-000             |
| STD06Y-A               | 087406-000             |
| STD06Y-AC              | 1-1768044-4            |
| <del>STD06Y-A-LC</del> | <del>1-1768044-5</del> |
| STD06Y-B               | 757816-000             |
| STD06Y-BLANK           | 1-1768044-6            |
| <del>STD06Y-B-LC</del> | <del>1-1768044-7</del> |
| STD06Y-C               | 621660-000             |
| STD06Y-COLON           | 1-1768044-8            |
| STD06Y-D               | 661096-000             |

| DESCRIPTION            | PART NO.               |
|------------------------|------------------------|
| <del>STD06Y-D-LC</del> | <del>1-1768044-9</del> |
| STD06Y-DOT             | 2-1768044-0            |
| STD06Y-E               | 056868-000             |
| STD06Y-EARTH           | 2-1768044-1            |
| <del>STD06Y-E-LC</del> | <del>2-1768044-2</del> |
| STD06Y-F               | 863870-000             |
| STD06Y-G               | 203428-000             |
| STD06Y-H               | 582580-000             |
| STD06Y-I               | 945988-000             |
| STD06Y-J               | 301972-000             |
| STD06Y-K               | 668832-000             |
| STD06Y-L               | 001308-000             |
| <del>STD06Y-L-LC</del> | <del>2-1768044-8</del> |
| STD06Y-M               | 682660-000             |
| STD06Y-MINUS           | 2-1768044-9            |
| STD06Y-N               | 858346-000             |
| <del>STD06Y-N-LC</del> | <del>3-1768044-1</del> |
| STD06Y-P               | 033374-000             |
| STD06Y-PLUS            | E52054-000             |
| STD06Y-Q               | 675790-000             |
| STD06Y-R               | 168706-000             |
| STD06Y-S               | 074826-000             |
| STD06Y-SLASH           | 562584-000             |
| STD06Y-T               | 836378-000             |
| STD06Y-U               | 816500-000             |
| STD06Y-V               | 709862-000             |
| STD06Y-W               | 976882-000             |
| STD06Y-X               | 424858-000             |
| STD06Y-Y               | 067448-000             |
| STD06Y-Z               | 930240-000             |



OBSOLETE PART

THIS DRAWING IS A CONTROLLED DOCUMENT.

|             |  |
|-------------|--|
| DIMENSIONS: | TOLERANCES UNLESS OTHERWISE SPECIFIED: |
| mm          |  |
|             | 0 PLC ± -                              |
|             | 1 PLC ± -                              |
|             | 2 PLC ± -                              |
|             | 3 PLC ± -                              |
|             | 4 PLC ± -                              |
|             | ANGLES ± -                             |

MATERIAL - FINISH -

DWN 25MAR2013  
RAGHAVENDRA K

CHK 25MAR2013  
KEAN ALAN

APVD 25MAR2013  
MARIO APPELLO

PRODUCT SPEC -

APPLICATION SPEC -

WEIGHT -

**STE** TE Connectivity

NAME: SNAP-ON MARKER STB/STD 06 WITH APPLICATOR

SIZE: A3 CAGE CODE: 00779 DRAWING NO: C-8-1198163-2 RESTRICTED TO: -

CUSTOMER DRAWING SCALE: NTS SHEET: 3 OF 3 REV: 2