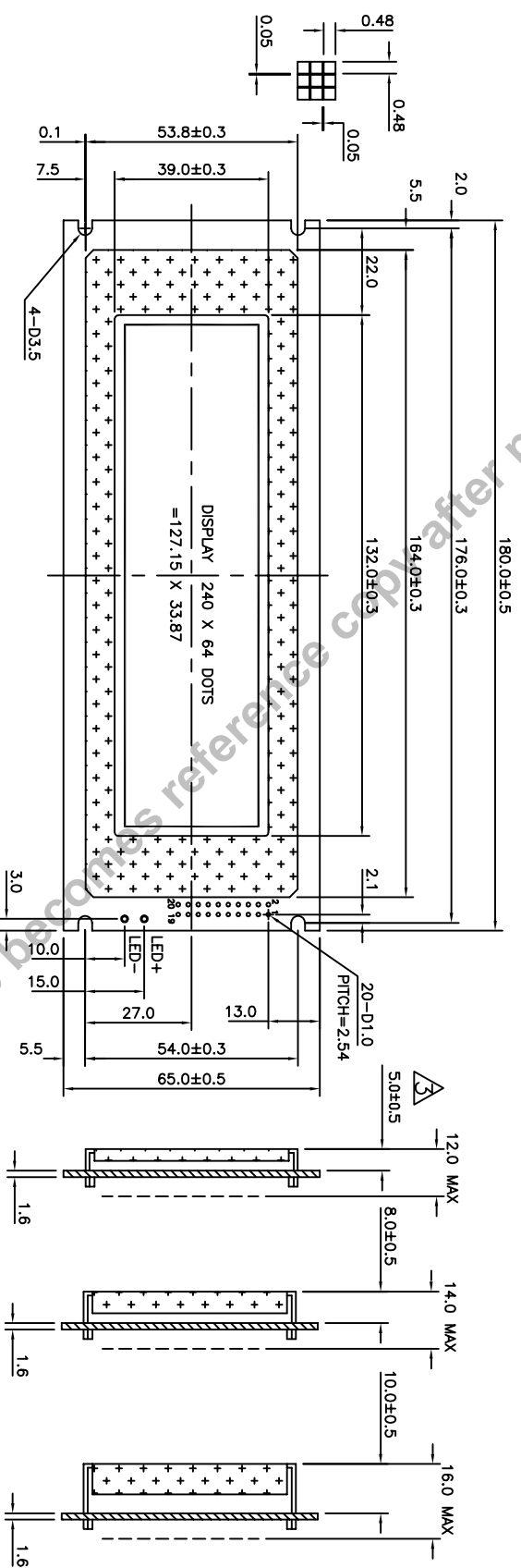


ISSUE	AMENDMENT	DATE
1	ADD 32K RAM	99.10.14
2	UPDATE DRAWING	02.05.24
3	MODIFY DIMENSION ADD NOTES	02.12.16



1	2	3	4	5	6	7	8	9	10	11	12	13	14	15	16	17	18	19	20
FG	VSS	VDD	VO	/WR	/RD	/CE	C/D	NC	/RST	DB0	DB1	DB2	DB3	DB4	DB5	DB6	DB7	FS	NC

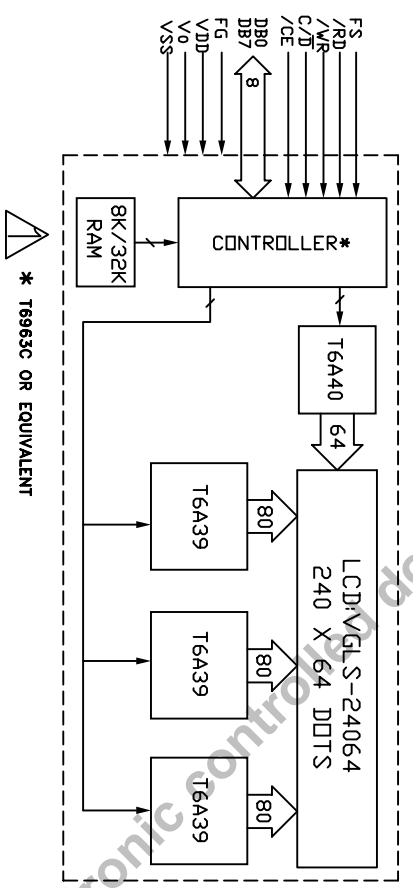
NOTES:

△ SPECIAL CHARACTERISTIC

+ SAFETY CHARACTERISTIC

○ REFERENCE ONLY

▽ CRITICAL DIMENSION



\* T6963C OR EQUIVALENT

**VB** VARRITRONIX LIMITED

TITLE: SPECIFICATION OF MODULE

PROJECT NO: MGL(S)-24064

TOLERANCE UNLESS OTHERWISE SPECIFIED:  
X.X ±0.3  
X.XX ±0.1

DIMENSIONS IN MM

SCALE: DO NOT ON SCALE

THIRD ANGLE PROJECTION

THIRD ANGLE PROJECTION	NAME	SIZE	DATE
DRAWN	LUO XIAN GANG		02.12.16
CHECKED	HE JIAN WEN		
APPROVED	DERRICK TAM		

ITEM NO. MGLS24064-XX

DESCRIPTION: MGLS24064

FILE NO: MGLS24064-XX R3.DWG/REV 3

SHEET 1 OF 1