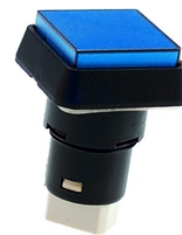


**LUMOTAST 25 - Signal lamps, 24 V, ring nut fixing, housing****1.65.122.956/0000**

Please include the desired lens in your order.

**General information**

Form of lens	square
--------------	--------

**Dimensions**

Length of collar	25 mm
Width of collar	25 mm
Overall height	9.8 mm
Mounting depth with connector	30.7 mm
Mounting depth with plug-in socket	33.4 mm
Mounting hole	16.2 mm

**Mechanical design**

Mounting	ring nut
Terminals	pin connector 4-pole / plug-in socket
Lamp socket	Bi-Pin T1 / T1¼
Lamp	filament lamp / LED

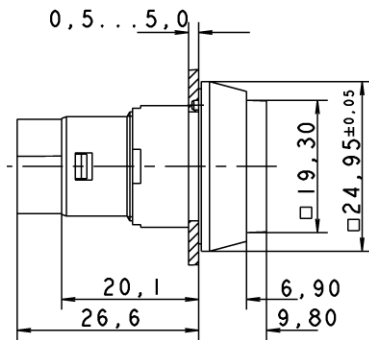
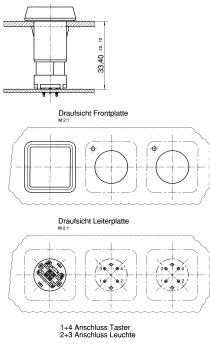
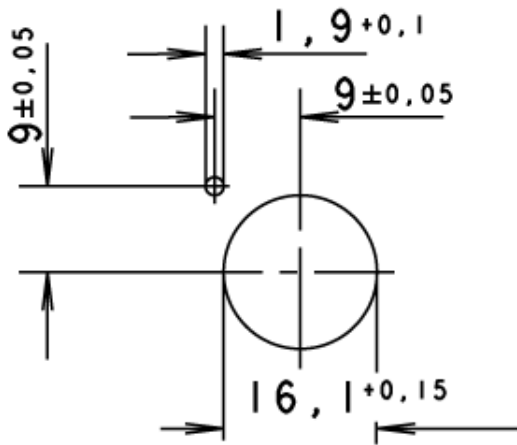
**Electrical characteristics**

Voltage limit max.	24 V
Power limit max.	0.7 W

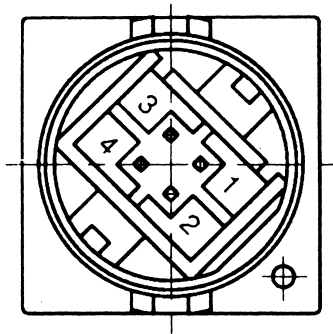
**Other specifications**

Degree of protection from front side	IP65 (DIN EN 60529)
Weight	7 g
Operation temperature min.	-25 °C
Ambient temp. operating max.	+70 °C
Storage temperature min.	-40 °C
Storage temperature max.	+80 °C
Environmental resistance	acc. to IEC 60068-2-14, -30, -33 and -78
ROHS compliant	yes
REACH compliant	yes

Panel cut-out



1+4 = NO contact 2+3 = lamp socket (3 = cathode)



with socket connector

