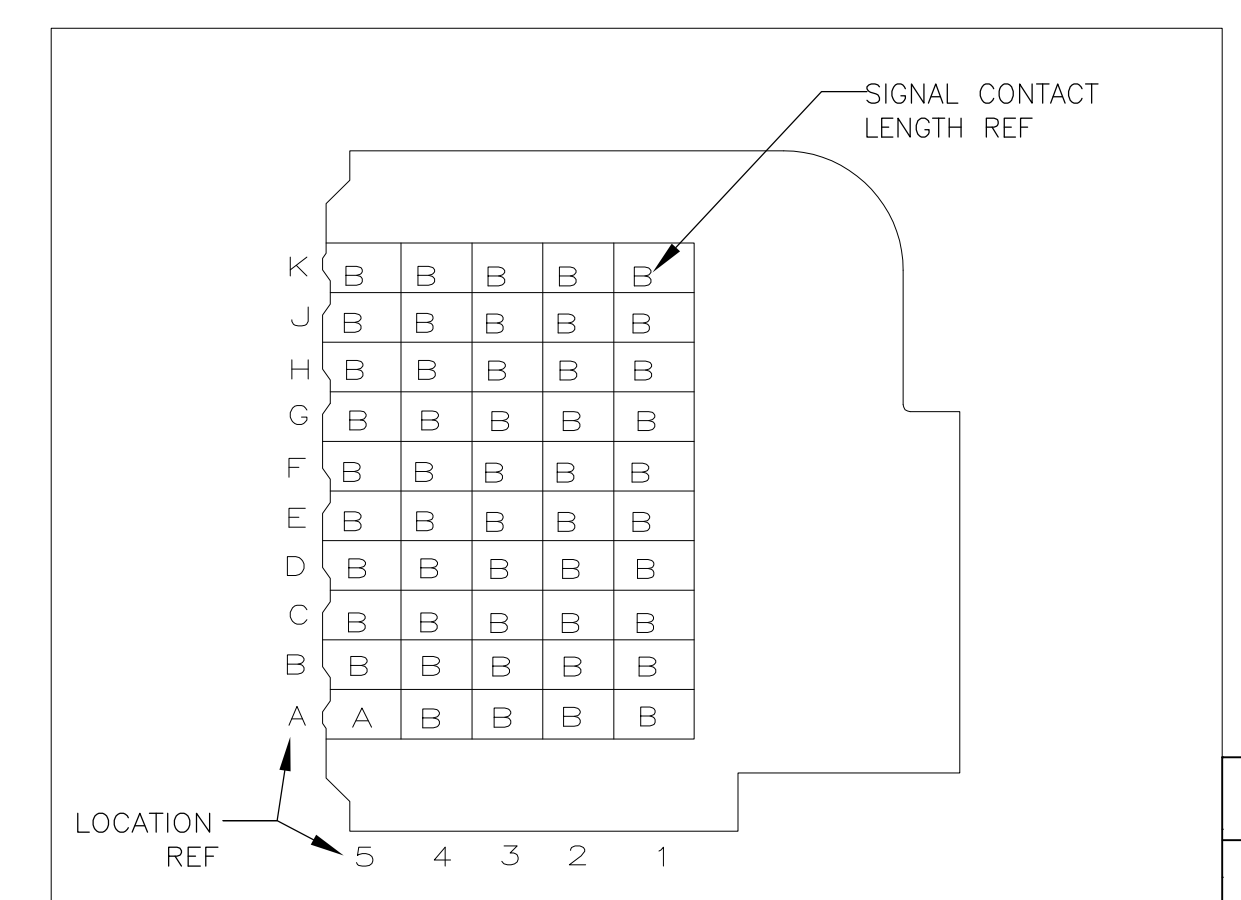
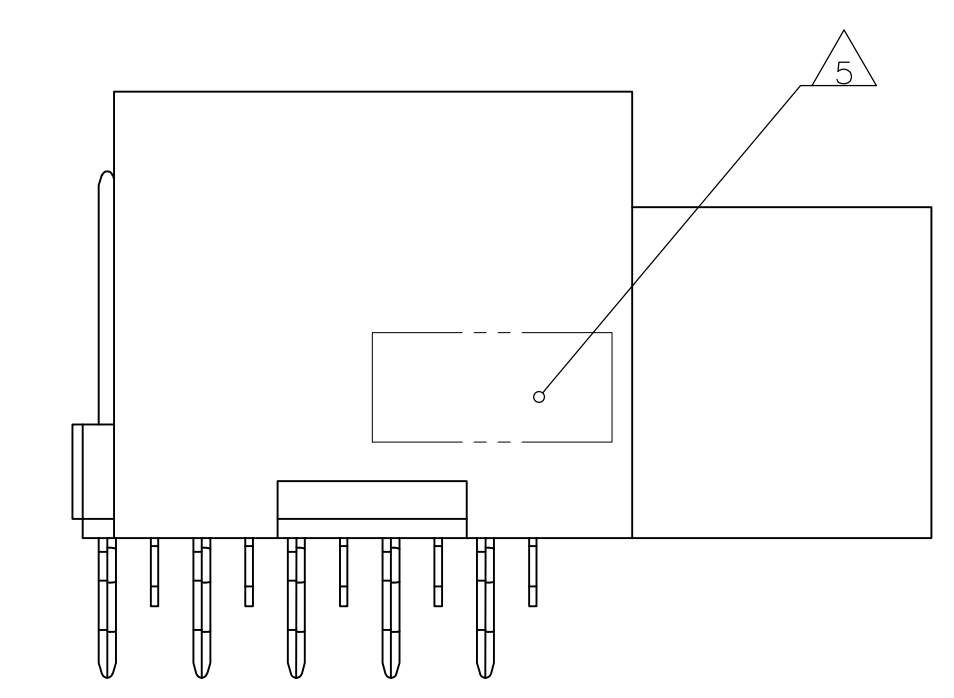
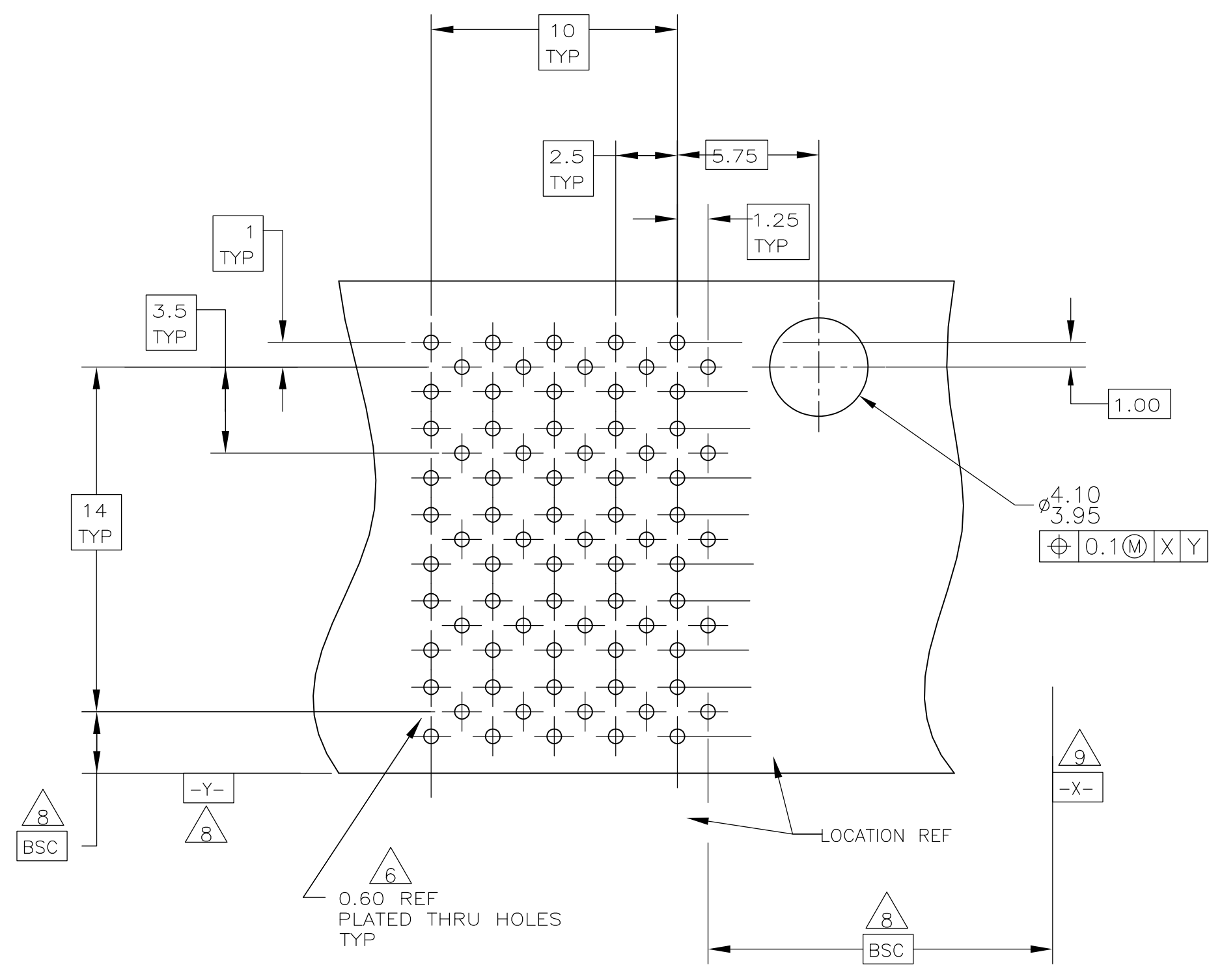
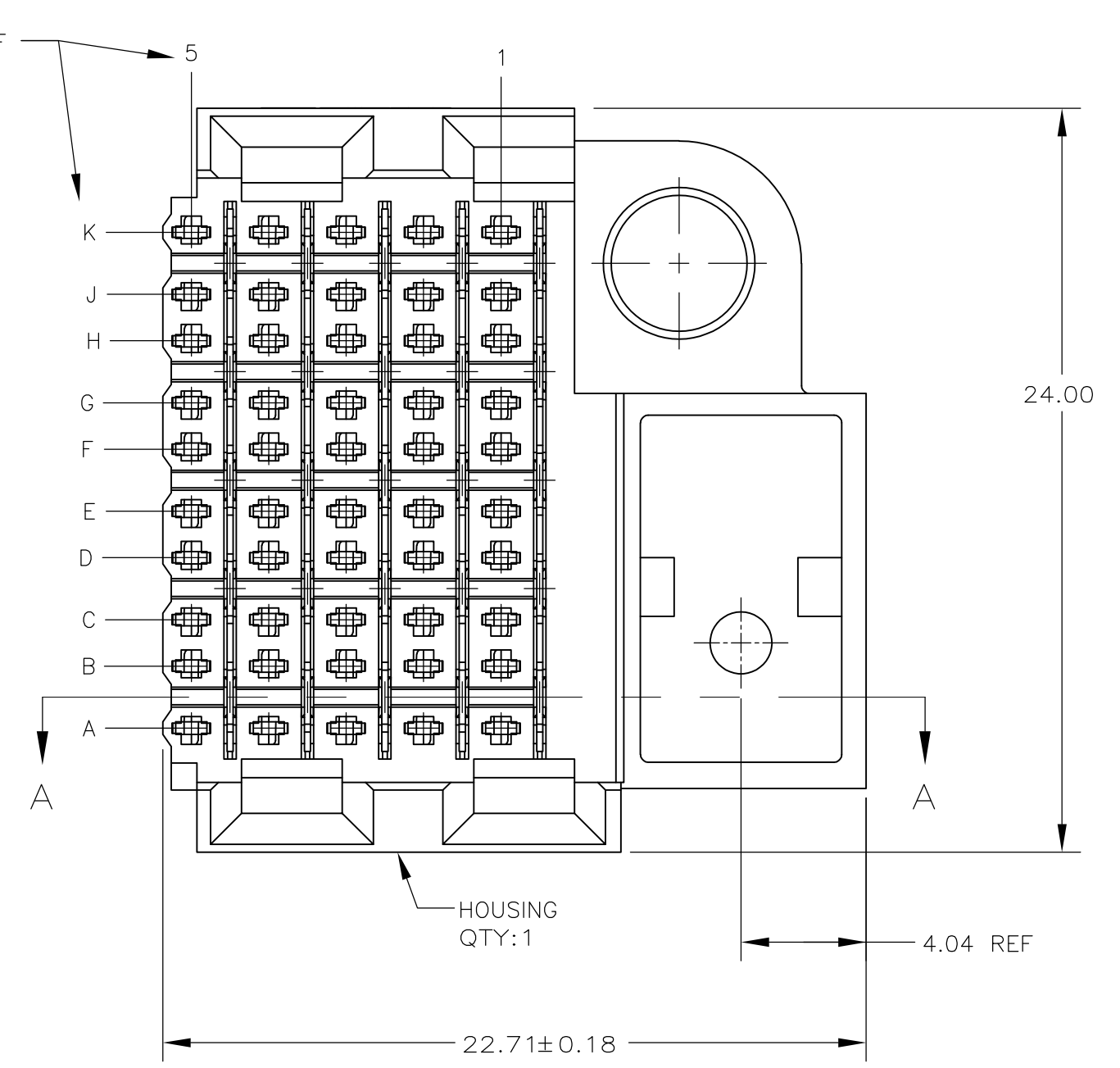
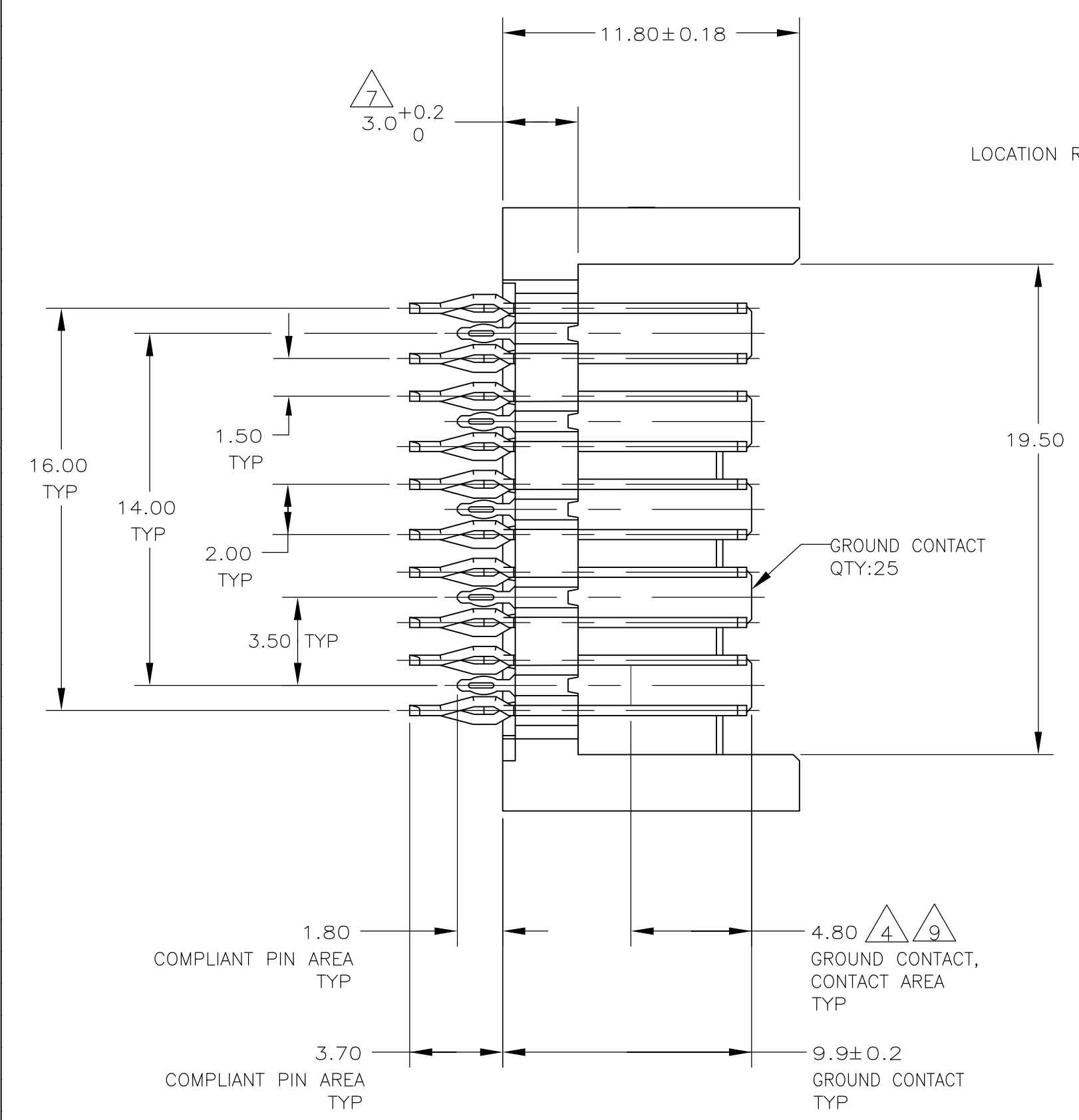
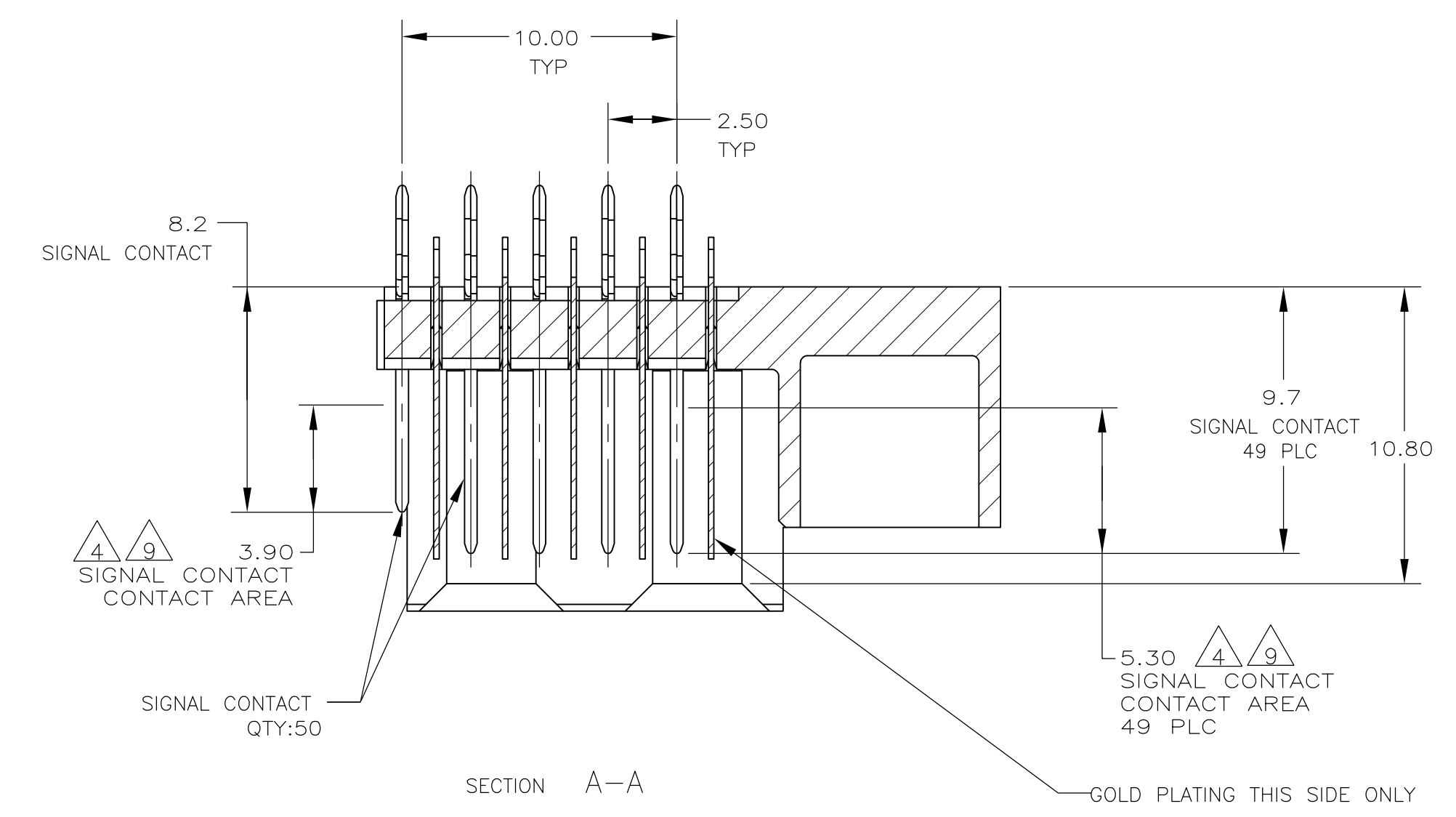


LOC		DIST		REVISIONS			
P	LTR	DESCRIPTION	DATE	DN	APV	REV	REV
A		REVISED PER ECO-14-002491	21FEB2014	AP	RP		

- 2 PHOSPHOR BRONZE
- 3 LCP, UL94V-0
- 4 0.76um MIN GOLD OVER 1.27um MIN NICKEL UNDERPLATE OR GOLD FLASH OVER 0.76um MIN PALLADIUM NICKEL OVER 1.27um MIN NICKEL UNDERPLATE ON CONTACT AREA. 0.76um MIN TIN LEAD OVER 1.27um MIN NICKEL ON COMPLIANT PIN AREA
- 5 CONNECTOR MARKED WITH PART NUMBER AND DATE CODE
- 6 REFERENCE APPLICATION SPEC 114-13020 FOR RECOMMENDED PLATED THRU HOLE DIAMETER AND PLATING THICKNESSES
- 7 APPLICATION SEATING HEIGHT TO PRINTED CIRCUIT BOARD
- 8 DATUMS AND BASIC DIMENSIONS ESTABLISHED BY CUSTOMER
- 9 CONTACT AREA LUBRICATED WITH BELLCORE APPROVED LUBRICANT TECHNICAL REFERENCE: GR-1217-CORE, ISSUE 1, NOVEMBER 1995



A = 8.2 REF SIGNAL CONTACT LENGTH  
 B = 9.7 REF SIGNAL CONTACT LENGTH

ROW A: 1-4	ROW A: 5	120967-1
ROWS B-K: 1-5	PIN LOCATION	PART NUMBER
SIGNAL CONTACT TYPE B QTY: 49	SIGNAL CONTACT TYPE A QTY: 1	

THIS DRAWING IS A CONTROLLED DOCUMENT.		DIN B CARBO 14DEC04	TE Connectivity	
DIMENSIONS: mm		CIR R PATTERSON 14DEC04	NAME	
TOLERANCES UNLESS OTHERWISE SPECIFIED:		APV R PATTERSON 14DEC04	PRODUCT SPEC	
0. PLC ± -		APPLICATION SPEC		
1. PLC ± -		SIZE CAGE CODE DRAWING NO		
2. PLC ± 0.13		WEIGHT		
3. PLC ± 0.05		A1 00779 C=120967		
4. PLC ± -		CUSTOMER DRAWING		
ANGLES ± -		SCALE 5:1 SHEET 1 OF 1 REV A		