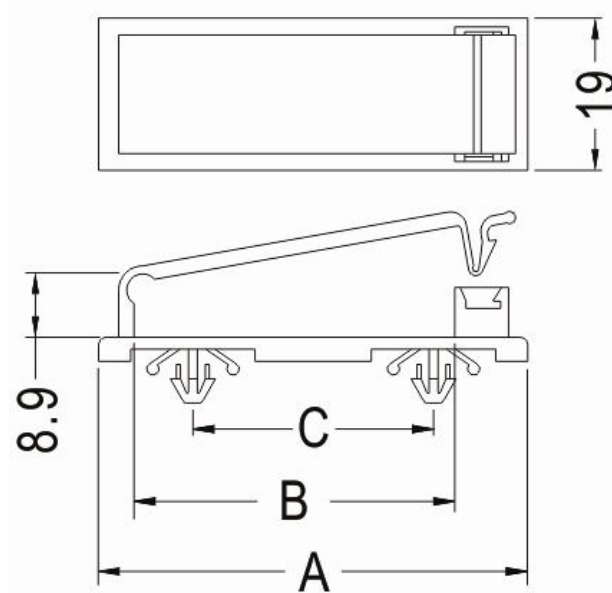


524420000



CHASSIS Ø4.0  
THICKNESS 0.8~2.2

A [mm]	B [mm]	C [mm]
45.5	32.0	25.0

524420000

Material: Nylon 66, UL94 V-0

FLAT CABLE CLAMP

Surface: Natural

Drawn  
Mark Wirth  
2012-02-27

Last Update  
Mark Wirth  
2012-02-27

**Würth Elektronik eiSos GmbH & Co KG**  
**D – 74638 Waldenburg**  
**Max-Eyth-Straße 1**  
**Tel.: 0049 7942-945-0 / Fax: 0049 7942-945-400**  
[www.we-online.de](http://www.we-online.de)