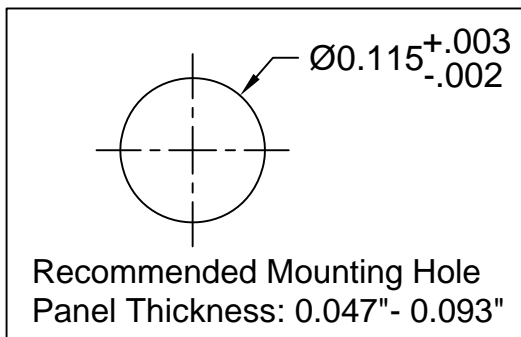
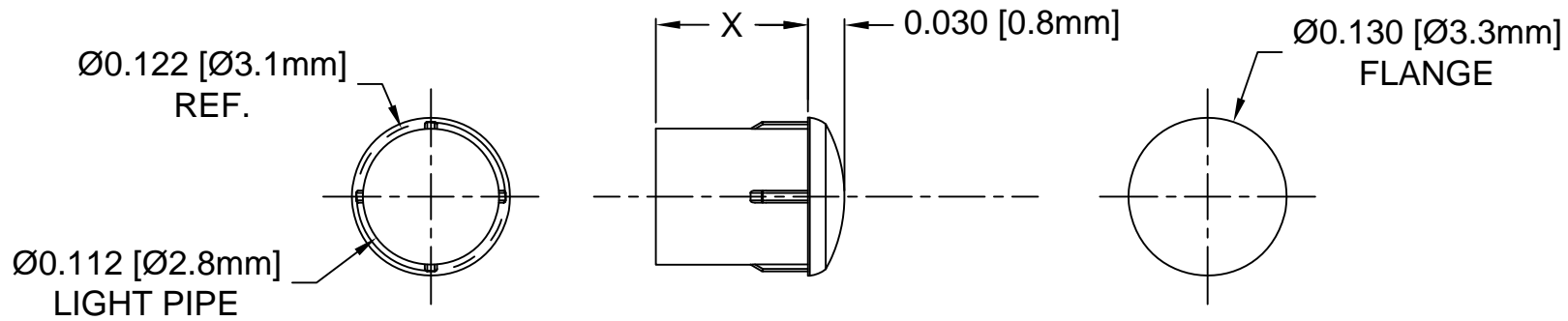



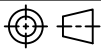
Part No.	X = Body Length
PLP2-100	0.100 ( 2.5mm )
PLP2-125	0.125 ( 3.2mm )
PLP2-188	0.188 ( 4.8mm )
PLP2-215	0.215 ( 5.5mm )
PLP2-250	0.250 ( 6.4mm )
PLP2-313	0.313 ( 7.9mm )
PLP2-350	0.350 ( 8.9mm )
PLP2-375	0.375 ( 9.5mm )
PLP2-500	0.500 ( 12.7mm )
PLP2-625	0.625 ( 15.9mm )
PLP2-750	0.750 ( 19.0mm )
PLP2-1000	1.000 ( 25.4mm )
PLP2-1200	1.200 ( 30.5mm )
PLP2-3MM	3mm ( 0.118" )
PLP2-4MM	4mm ( 0.157" )
PLP2-5MM	5mm ( 0.197" )
PLP2-6MM	6mm ( 0.236" )
PLP2-7MM	7mm ( 0.276" )
PLP2-8MM	8mm ( 0.315" )
PLP2-9MM	9mm ( 0.354" )
PLP2-10MM	10mm ( 0.394" )

REV.	DESCRIPTION	DATE	APPROVED
<b>R</b>	Updated General Specifications Note 1.	10/01/12	<b>T. Y.</b>
<b>T</b>	Added Panel Thickness.	05/01/15	<b>J. C.</b>
<b>U</b>	Added .100", .188", .313" Lengths to Offering List.	05/27/15	<b>J. C.</b>
<b>V</b>	Added Metric Lengths to Offering List.	07/15/15	<b>J. C.</b>
<b>W</b>	Added Color Options, Sheet #2.	02/02/16	<b>J. C.</b>



2. MATERIAL: POLYCARBONATE, 94V-0, CLEAR.

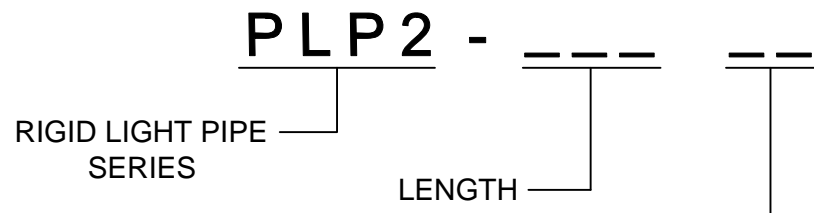
1. GENERAL SPECIFICATIONS: BIVAR MOLDED COMPONENT SPECIFICATION BV00-E101 and BSMC-1001.

STANDARD TOLERANCE (UNLESS OTHERWISE SPECIFIED)		 4 THOMAS, IRVINE, CA. 92618 TEL: (949) 951-8808 FAX: (949) 951-3974		
DECIMALS	ANGULAR			
.X ± .1	X° ± 1°		<b>TITLE:</b> PRESS-FIT, PANEL MOUNT, LIGHT PIPE, FRONT MOUNT	
.XX ± .01			<b>PART NO:</b> PLP2-XXX	
.XXX ± .005			<b>REVISION:</b> W	
<b>DESIGNED:</b> Michael Chen	<b>DATE:</b> 01/16/02	<b>CAGE CODE :</b> 32559		<b>SHEET #</b> 1 OF 2
<b>CHECKED:</b> E. M. Muldoon	<b>DATE:</b> 04/26/02	CAD GENERATED DOCUMENT, DO NOT MEASURE DRAWING.		

**OTHER AVAILABLE COLORS**

\* SEE TABLE FOR ORDERING INFORMATION

REV.	DESCRIPTION	DATE	APPROVED
	SEE SHEET #1		



COLOR	Order Code
BLUE	BE
BLACK	BK
GREEN	GN
GRAY	GY
RED	RD
YELLOW	YW

NOTE: LEAVE ORDER CODE BLANK IF NO COLOR IS DESIRED.

3. PARTS ARE DYED TO COLOR UPON REQUEST.

STANDARD TOLERANCE ( UNLESS OTHERWISE SPECIFIED ) <u>DECIMALS</u> <u>ANGULAR</u>		<b>BIVAR</b> <sup>®</sup> 4 THOMAS, IRVINE, CA. 92618 TEL: (949) 951-8808    FAX: (949) 951-3974	
DESIGNED: <b>K. Aukshunas</b>		DATE: <b>01/25/16</b>	
CHECKED: <b>J. Chiang</b>		DATE: <b>01/25/16</b>	
PART NO: <b>PLP2-XXX</b>		REVISION: <b>W</b>	
CAGE CODE : <b>32559</b>		SHEET # <b>2</b> OF <b>2</b>	
CAD GENERATED DOCUMENT. DO NOT MEASURE DRAWING.			