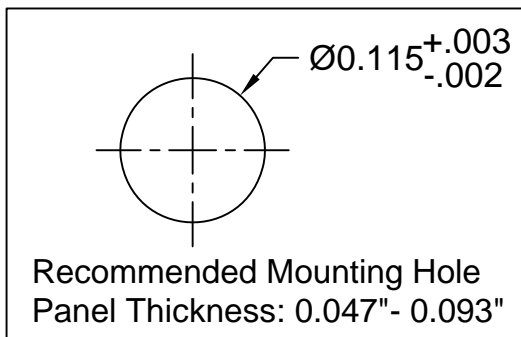


| Part No. | X = Body Length |
|-----------|------------------|
| PLP2-100 | 0.100 (2.5mm) |
| PLP2-125 | 0.125 (3.2mm) |
| PLP2-188 | 0.188 (4.8mm) |
| PLP2-215 | 0.215 (5.5mm) |
| PLP2-250 | 0.250 (6.4mm) |
| PLP2-313 | 0.313 (7.9mm) |
| PLP2-350 | 0.350 (8.9mm) |
| PLP2-375 | 0.375 (9.5mm) |
| PLP2-500 | 0.500 (12.7mm) |
| PLP2-625 | 0.625 (15.9mm) |
| PLP2-750 | 0.750 (19.0mm) |
| PLP2-1000 | 1.000 (25.4mm) |
| PLP2-1200 | 1.200 (30.5mm) |
| PLP2-3MM | 3mm (0.118") |
| PLP2-4MM | 4mm (0.157") |
| PLP2-5MM | 5mm (0.197") |
| PLP2-6MM | 6mm (0.236") |
| PLP2-7MM | 7mm (0.276") |
| PLP2-8MM | 8mm (0.315") |
| PLP2-9MM | 9mm (0.354") |
| PLP2-10MM | 10mm (0.394") |

| REV. | DESCRIPTION | DATE | APPROVED |
|----------|---|----------|--------------|
| R | Updated General Specifications Note 1. | 10/01/12 | T. Y. |
| T | Added Panel Thickness. | 05/01/15 | J. C. |
| U | Added .100", .188", .313" Lengths to Offering List. | 05/27/15 | J. C. |
| V | Added Metric Lengths to Offering List. | 07/15/15 | J. C. |
| W | Added Color Options, Sheet #2. | 02/02/16 | J. C. |



2. MATERIAL: POLYCARBONATE, 94V-0, CLEAR.

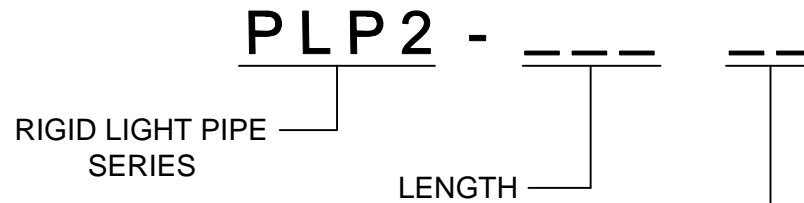
1. GENERAL SPECIFICATIONS: BIVAR MOLDED COMPONENT SPECIFICATION BV00-E101 and BSMC-1001.

| STANDARD TOLERANCE (UNLESS OTHERWISE SPECIFIED) | | BIVAR® | |
|--|--------------------------|--|--|
| DECIMALS | ANGULAR | 4 THOMAS, IRVINE, CA. 92618 TEL: (949) 951-8808 FAX: (949) 951-3974 | |
| .X ± .1 | X° ± 1° | TITLE: PRESS-FIT, PANEL MOUNT, LIGHT PIPE, FRONT MOUNT | |
| .XX ± .01 | | PART NO: PLP2-XXX | |
| .XXX ± .005 | | REVISION: W | |
| DESIGNED: Michael Chen | DATE: 01/16/02 | CAGE CODE : 32559 | |
| CHECKED: E. M. Muldoon | DATE: 04/26/02 | SHEET # 1 OF 2 | |
| CAD GENERATED DOCUMENT, DO NOT MEASURE DRAWING. | | | |

OTHER AVAILABLE COLORS

* SEE TABLE FOR ORDERING INFORMATION


| REV. | DESCRIPTION | DATE | APPROVED |
|------|--------------|------|----------|
| | SEE SHEET #1 | | |
| | | | |
| | | | |
| | | | |



| COLOR | Order Code |
|--------|------------|
| BLUE | BE |
| BLACK | BK |
| GREEN | GN |
| GRAY | GY |
| RED | RD |
| YELLOW | YW |

NOTE: LEAVE ORDER CODE BLANK IF NO COLOR IS DESIRED.

3. PARTS ARE DYED TO COLOR UPON REQUEST.

| | | | |
|--|--------------------------|--|-----------------------|
| STANDARD TOLERANCE (UNLESS OTHERWISE SPECIFIED) <u>DECIMALS</u> <u>ANGULAR</u> | | BIVAR [®] 4 THOMAS, IRVINE, CA. 92618 TEL: (949) 951-8808 FAX: (949) 951-3974 | |
| | |  | |
| DESIGNED: K. Aukshunas | DATE: 01/25/16 | PART NO: PLP2-XXX | REVISION: W |
| CHECKED: J. Chiang | DATE: 01/25/16 | CAGE CODE : 32559 | SHEET # 2 OF 2 |
| <small>CAD GENERATED DOCUMENT. DO NOT MEASURE DRAWING.</small> | | | |