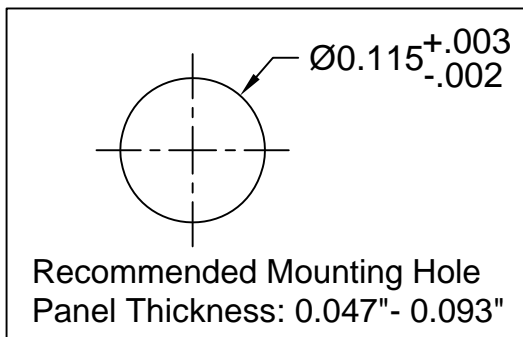


Part No.	X = Body Length
PLP2-100	0.100 (2.5mm)
PLP2-125	0.125 (3.2mm)
PLP2-188	0.188 (4.8mm)
PLP2-215	0.215 (5.5mm)
PLP2-250	0.250 (6.4mm)
PLP2-313	0.313 (7.9mm)
PLP2-350	0.350 (8.9mm)
PLP2-375	0.375 (9.5mm)
PLP2-500	0.500 (12.7mm)
PLP2-625	0.625 (15.9mm)
PLP2-750	0.750 (19.0mm)
PLP2-1000	1.000 (25.4mm)
PLP2-1200	1.200 (30.5mm)
PLP2-3MM	3mm (0.118")
PLP2-4MM	4mm (0.157")
PLP2-5MM	5mm (0.197")
PLP2-6MM	6mm (0.236")
PLP2-7MM	7mm (0.276")
PLP2-8MM	8mm (0.315")
PLP2-9MM	9mm (0.354")
PLP2-10MM	10mm (0.394")

REV.	DESCRIPTION	DATE	APPROVED
R	Updated General Specifications Note 1.	10/01/12	T. Y.
T	Added Panel Thickness.	05/01/15	J. C.
U	Added .100", .188", .313" Lengths to Offering List.	05/27/15	J. C.
V	Added Metric Lengths to Offering List.	07/15/15	J. C.
W	Added Color Options, Sheet #2.	02/02/16	J. C.



2. MATERIAL: POLYCARBONATE, 94V-0, CLEAR.

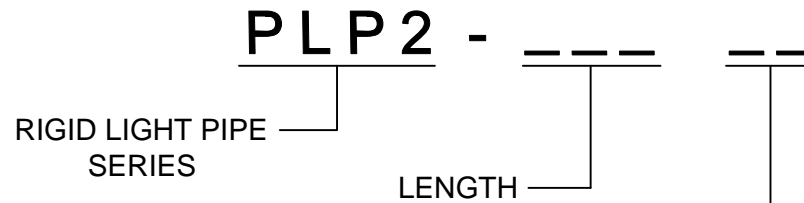
1. GENERAL SPECIFICATIONS: BIVAR MOLDED COMPONENT SPECIFICATION BV00-E101 and BSMC-1001.

STANDARD TOLERANCE (UNLESS OTHERWISE SPECIFIED)		 4 THOMAS, IRVINE, CA. 92618 TEL: (949) 951-8808 FAX: (949) 951-3974	
DECIMALS	ANGULAR		
.X ± .1	X° ± 1°	 TITLE: PRESS-FIT, PANEL MOUNT, LIGHT PIPE, FRONT MOUNT	
.XX ± .01			
.XXX ± .005			
DESIGNED: Michael Chen	DATE: 01/16/02	PART NO: PLP2-XXX	REVISION: W
CHECKED: E. M. Muldoon	DATE: 04/26/02	CAGE CODE : 32559	SHEET # 1 OF 2
CAD GENERATED DOCUMENT, DO NOT MEASURE DRAWING.			

OTHER AVAILABLE COLORS

* SEE TABLE FOR ORDERING INFORMATION

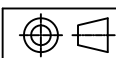
REV.	DESCRIPTION	DATE	APPROVED
	SEE SHEET #1		



COLOR	Order Code
BLUE	BE
BLACK	BK
GREEN	GN
GRAY	GY
RED	RD
YELLOW	YW

NOTE: LEAVE ORDER CODE BLANK IF NO COLOR IS DESIRED.

3. PARTS ARE DYED TO COLOR UPON REQUEST.

STANDARD TOLERANCE (UNLESS OTHERWISE SPECIFIED) <u>DECIMALS</u> <u>ANGULAR</u>		BIVAR [®] 4 THOMAS, IRVINE, CA. 92618 TEL: (949) 951-8808 FAX: (949) 951-3974	
			
DESIGNED: K. Aukshunas	DATE: 01/25/16	PART NO: PLP2-XXX	REVISION: W
CHECKED: J. Chiang	DATE: 01/25/16	CAGE CODE : 32559	SHEET # 2 OF 2
<small>CAD GENERATED DOCUMENT. DO NOT MEASURE DRAWING.</small>			