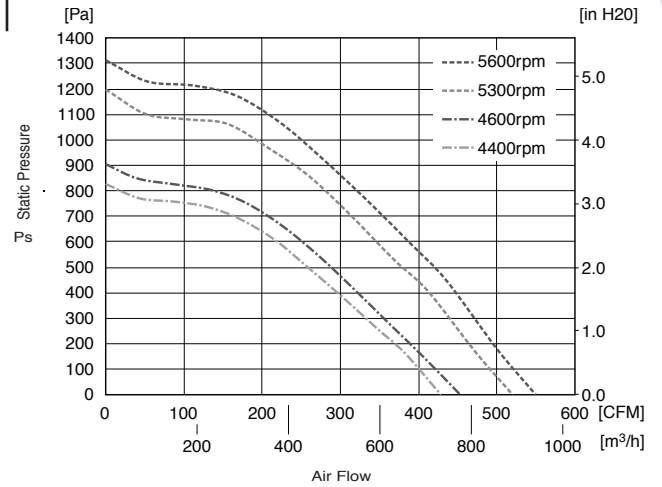


Characteristic Curves



General Specifications

Motor Protection:

Locked Rotor, Reverse Polarity

Insulation Resistance:

10M Ω min measured with 500V DC between all leads shorted together and case

Dielectric Withstand Voltage: AC 500V 1 minute

Allowable Ambient Temperature Range:

-30°C ~ +70°C (Operating)
-40°C ~ +80°C (Storage)

Expected Life

L10 Life:

40°C 70,000 Hours

Material

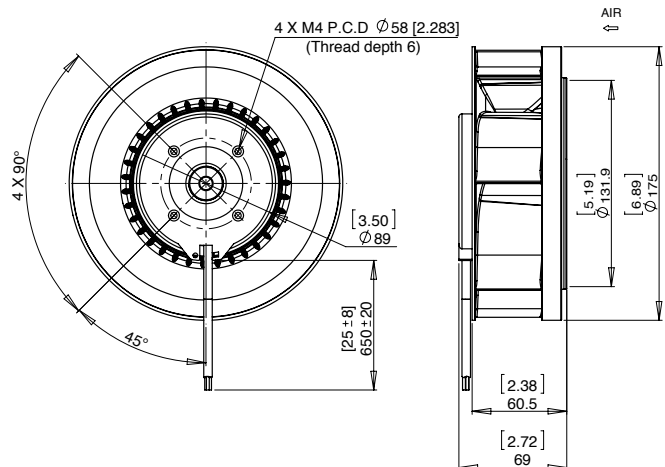
Impeller : Plastic

Bearing : Ball Bearing

Lead Wire : UL1430, AWG18, +Red, -Black,
Speed Control = Yellow,
Speed Signal = White

Outline

Units: $\frac{[inch]}{mm}$



Specifications

| MODEL | Rated Voltage | Operating Voltage | Current | Input Power | Speed | Max. Air Flow | | Max. Static Pressure | | Noise | Mass |
|------------------|---------------|-------------------|-------------------|-------------------|------------------------------------|-------------------|------------------------------------|----------------------|--------------------|--------------------|------|
| | (V) | (V) | (A) ^{*1} | (W) ^{*1} | (min ⁻¹) ^{*1} | CFM ^{*1} | (m ³ /hr) ^{*1} | in H ₂ O | (Pa) ^{*1} | (dB) ^{*1} | (g) |
| F175H1-061-D0750 | 48 | 30 ~ 72 | 3.8 | 182.4 | 5400 | 625 | 1062 | 4.67 | 1167 | 78 | 900 |
| F175H2-061-D0750 | 48 | 30 ~ 72 | 2.3 | 110.4 | 4500 | 514 | 873 | 3.36 | 843 | 73 | 900 |
| F175H3-061-D0540 | 24 | 18 ~ 30 | 4.7 | 112.8 | 4700 | 541 | 919 | 3.65 | 913 | 74 | 900 |
| F175H4-061-D0540 | 24 | 18 ~ 30 | 3.0 | 72 | 4000 | 455 | 773 | 2.60 | 651 | 71 | 900 |

Rotation: Clockwise looking at Air Inlet

*1: Average Values in Free Air and Rated Voltage Condition