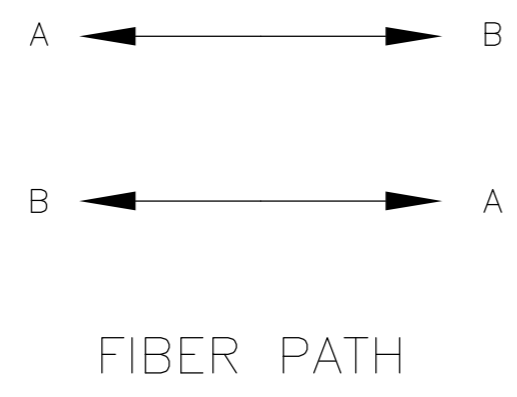
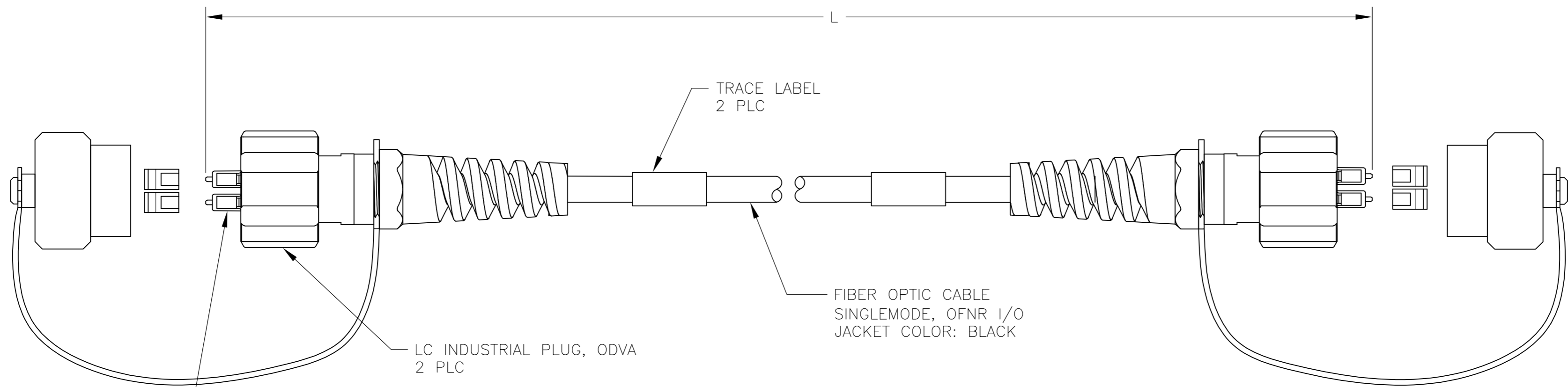


THIS DRAWING IS UNPUBLISHED. RELEASED FOR PUBLICATION  
 © COPYRIGHT - By - ALL RIGHTS RESERVED.

LOC	DIST	REVISIONS			
P	LTR	DESCRIPTION	DATE	DWN	APVD
CE	16				
	D	ECR-14-011707	13AUG2014	HZ	RZ

1. MAXIMUM CONNECTOR INSERTION LOSS IS 0.2dB PLUS CABLE ATTENUATION OF 0.7dB/km AT 1310nm. (SEE TABLE)
2. MINIMUM RETURN LOSS: 55dB (1310nm)
3. TEST DATA PROVIDED WITH EACH ASSEMBLY.
4. PRODUCT AND PROCESSING MUST MEET REQUIREMENTS OF TEC-138-702.



THIS DRAWING IS A CONTROLLED DOCUMENT.		DWN J.W.DAVIS 01NOV05	<b>STE</b> TE Connectivity	
DIMENSIONS: METERS [INCHES]		CHK J.DUNCAN 01NOV05		
TOLERANCES UNLESS OTHERWISE SPECIFIED:		APVD F.McCORKEL 01NOV05	NAME CABLE ASSEMBLY, FIBER OPTIC, SINGLEMODE, 2 FIBER BREAKOUT, SEALED LC DUPLEX (ODVA), BOTH ENDS	
MATERIAL		PRODUCT SPEC	SIZE A2	CAGE CODE 00779
FINISH		APPLICATION SPEC	DRAWING NO 1828936	RESTRICTED TO
		WEIGHT	SCALE NTS	SHEET 1 of 2
		CUSTOMER DRAWING	REV D	


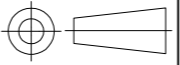
1828936

THIS DRAWING IS UNPUBLISHED. RELEASED FOR PUBLICATION  
 © COPYRIGHT - By - ALL RIGHTS RESERVED.

LOC	DIST	REVISIONS					
		P	LTR	DESCRIPTION	DATE	DWN	APVD
CE	16	-	-	SEE SHEET 1	-	-	-

MAX IL (dB)	L METERS [INCHES]	PART NUMBER
0.27	100.00±1.00 [3937±39]	9-1828936-9
0.48	400.00±4.00 [15748±158]	9-1828936-8
0.38	250.00±2.50 [9843±99]	9-1828936-7
0.34	200.00±2.00 [7874±79]	9-1828936-6
0.24	60.00±0.60 [2362±24]	6-1828936-0
0.24	50.00±0.50 [1968±19]	5-1828936-0
0.23	40.00±0.40 [1575±16]	4-1828936-0
0.23	39.00±0.39 [1535±15]	3-1828936-9
0.23	38.00±0.38 [1496±15]	3-1828936-8
0.23	37.00±0.37 [1457±15]	3-1828936-7
0.23	36.00±0.36 [1417±14]	3-1828936-6
0.22	35.00±0.35 [1378±14]	3-1828936-5
0.22	34.00±0.34 [1339±13]	3-1828936-4
0.22	33.00±0.33 [1299±13]	3-1828936-3
0.22	32.00±0.32 [1260±13]	3-1828936-2
0.22	31.00±0.30 [1220±12]	3-1828936-1
0.22	30.00±0.30 [1181±12]	3-1828936-0
0.22	29.00±0.30 [1141.7±12.0]	2-1828936-9
0.22	28.00±0.30 [1102.4±12.0]	2-1828936-8
0.22	27.00±0.30 [1063.0±12.0]	2-1828936-7
0.22	26.00±0.30 [1023.6±12.0]	2-1828936-6
0.22	25.00±0.30 [984.2±12.0]	2-1828936-5
0.22	24.00±0.30 [944.9±12.0]	2-1828936-4
0.22	23.00±0.30 [905.5±12.0]	2-1828936-3
0.22	22.00±0.30 [866.1±12.0]	2-1828936-2
0.21	21.00±0.30 [826.8±12.0]	2-1828936-1
0.21	20.00±0.30 [787.4±12.0]	2-1828936-0
0.21	19.00±0.30 [748.0±12.0]	1-1828936-9
0.21	18.00±0.30 [708.7±12.0]	1-1828936-8
0.21	17.00±0.30 [669.3±12.0]	1-1828936-7
0.21	16.00±0.30 [629.9±12.0]	1-1828936-6
0.21	15.00±0.30 [590.6±12.0]	1-1828936-5
0.21	14.00±0.15 [551.2±6.0]	1-1828936-4
0.21	13.00±0.15 [511.8±6.0]	1-1828936-3
0.21	12.00±0.15 [472.4±6.0]	1-1828936-2
0.21	11.00±0.15 [433.1±6.0]	1-1828936-1
0.21	10.00±0.15 [393.7±6.0]	1-1828936-0
0.20	9.00±0.15 [354.3±6.0]	1828936-9
0.20	8.00±0.08 [315.0±3.0]	1828936-8
0.20	7.00±0.08 [275.6±3.0]	1828936-7
0.20	6.00±0.08 [236.2±3.0]	1828936-6
0.20	5.00±0.08 [196.8±3.0]	1828936-5
0.20	4.00±0.05 [118.1±2.0]	1828936-4
0.20	3.00±0.05 [118.1±2.0]	1828936-3
0.20	2.00±0.05 [78.7±2.0]	1828936-2
0.20	1.00±0.05 [39.4±2.0]	1828936-1

MAX IL (dB) L METERS [INCHES] PART NUMBER

THIS DRAWING IS A CONTROLLED DOCUMENT.		DWN J.W.DAVIS 01NOV05	 TE Connectivity		
DIMENSIONS: METERS [INCHES]		CHK J.DUNCAN 01NOV05			
TOLERANCES UNLESS OTHERWISE SPECIFIED:		APVD F.McCORKEL 01NOV05	NAME CABLE ASSEMBLY, FIBER OPTIC, SINGLEMODE, 2 FIBER BREAKOUT, SEALED LC DUPLEX (ODVA), BOTH ENDS		
 0 PLC ± - 1 PLC ± - 2 PLC ± - 3 PLC ± - 4 PLC ± - ANGLES ± -		PRODUCT SPEC -	RESTRICTED TO		
MATERIAL		APPLICATION SPEC -	SIZE A2	CAGE CODE 00779	DRAWING NO C=1828936
FINISH		WEIGHT -	SCALE NTS		SHEET 2 OF 2
		CUSTOMER DRAWING		SCALE NTS	REV D