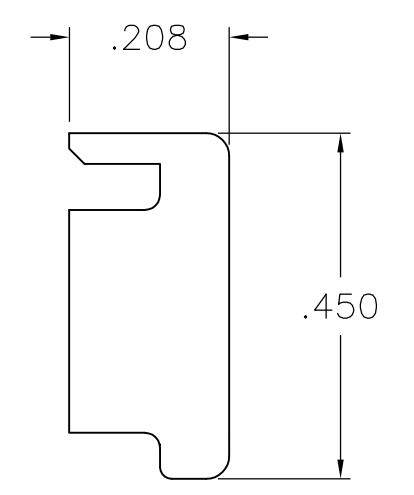
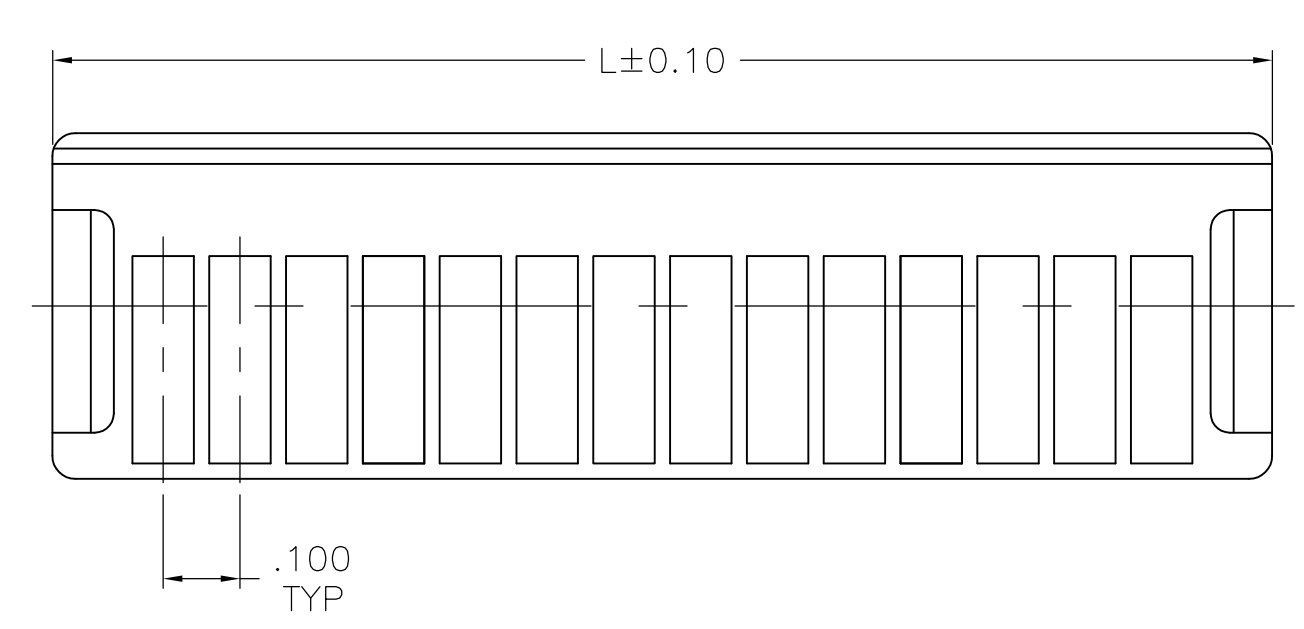
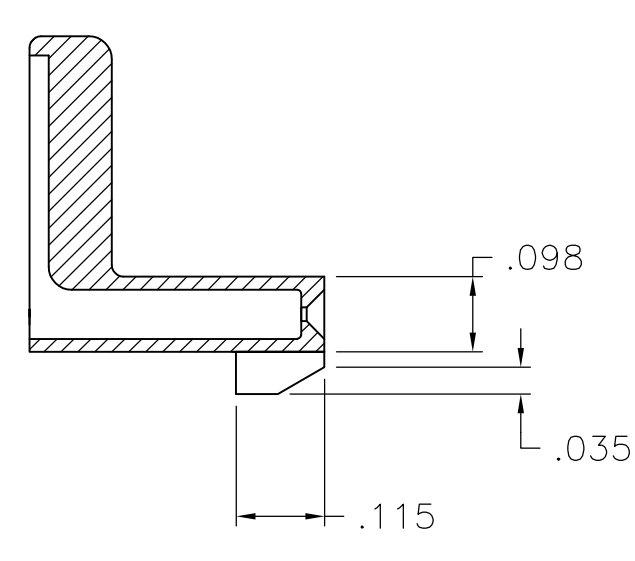
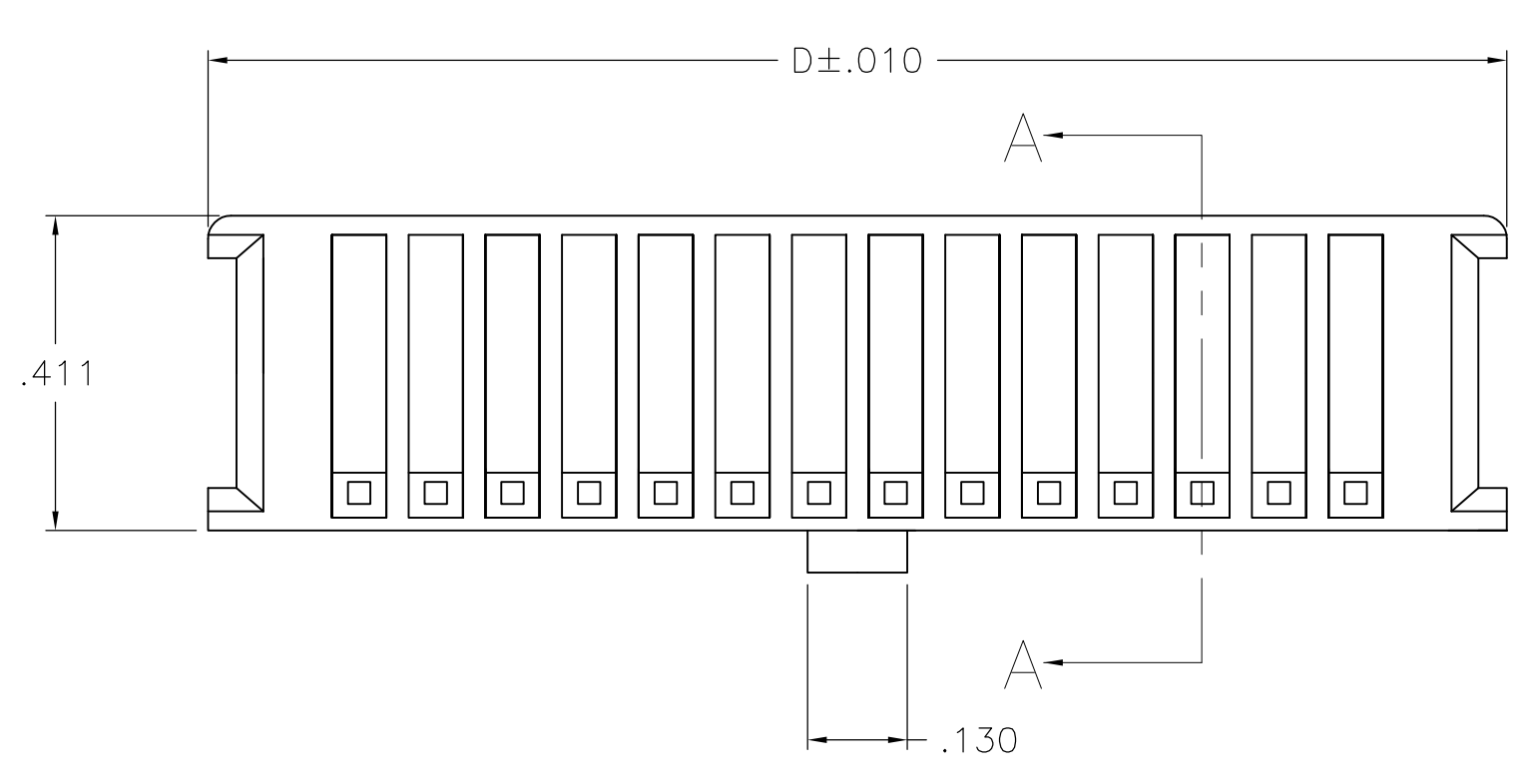


LOC		DIST		REVISIONS			
GP	00	REV	DESCRIPTION	DATE	BY	APPV	
B			REDRAWN PER ECO-08-013517	20JUN08	JDP	CWR	

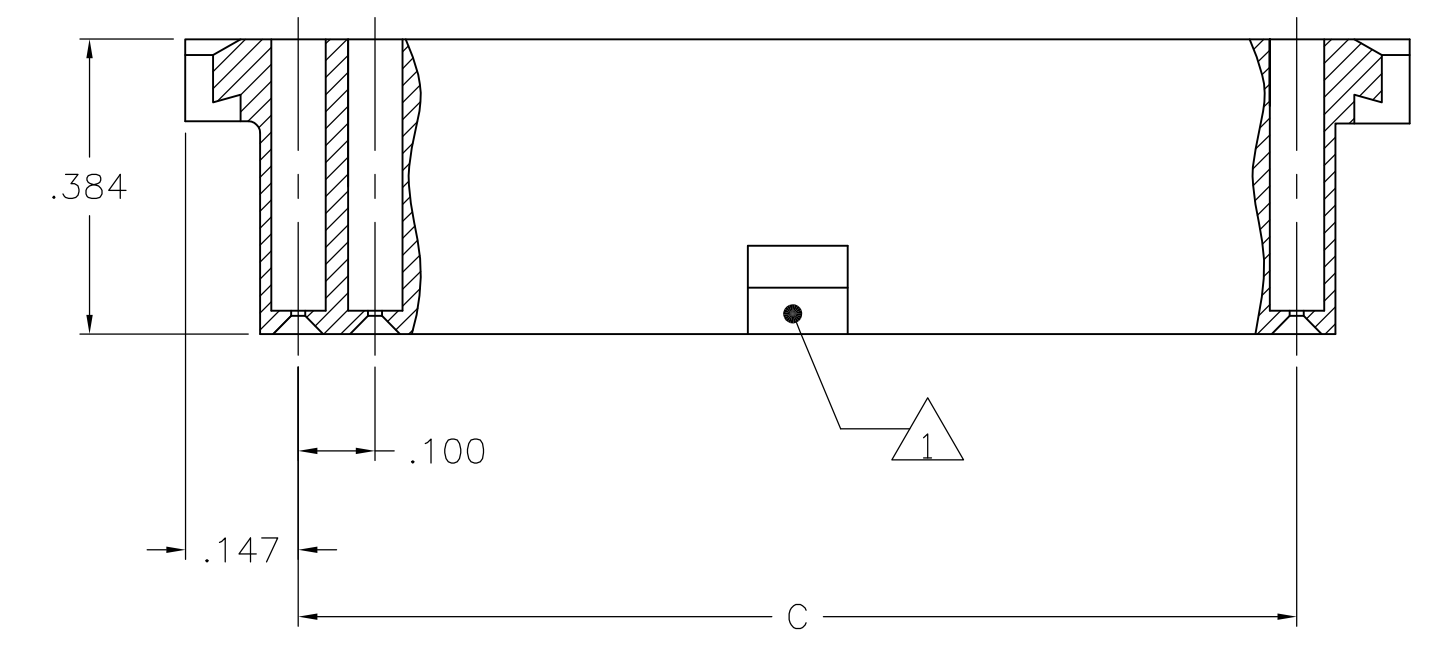
- 1. OPTIONAL POLARIZER.
- 2. MATERIAL: THERMOPLASTIC, UL 94-V0.
- 3. FINISH: BLUE.
- 4. PART NUMBER INCLUDES COVER AND HOUSING.
- 5. HOUSING ACCEPTS A FLEXSTRIP JUMPER END OR THE TERMINATED END OF THE FFC CABLE. HOUSING AND CABLE END ARE SECURED BY THE COVER.



COVER



SECTION A-A



HOUSING

REV	DESCRIPTION	DATE	BY	APPV	TE P/N	
3.388	3.394	3.100	32	NO	FP-3202S 8-1437251-9	
3.288	3.294	3.000	31	NO	FP-3102S 8-1437251-2	
3.188	3.194	2.900	30	NO	FP-3002S 7-1437251-8	
3.088	3.094	2.800	29	NO	FP-2902S 7-1437251-2	
2.988	2.994	2.700	28	NO	FP-2802S 6-1437251-8	
2.888	2.894	2.600	27	NO	FP-2702S 6-1437251-0	
2.788	2.794	2.500	26	YES	FP-2602SP 5-1437251-6	
OBSOLETE	2.788	2.794	2.500	26	NO	FP-2602S 5-1437251-5
2.688	2.694	2.400	25	YES	FP-2602SP 4-1437251-8	
2.688	2.694	2.400	25	NO	FP-2502S 4-1437251-7	
2.588	2.594	2.300	24	YES	FP-2402SP 4-1437251-3	
2.588	2.594	2.300	24	NO	FP-2402S 4-1437251-2	
2.488	2.494	2.200	23	YES	FP-2302SP 3-1437251-5	
2.488	2.494	2.200	23	NO	FP-2302S 3-1437251-4	
2.388	2.394	2.100	22	YES	FP-2202SP 2-1437251-9	
OBSOLETE	2.388	2.394	2.100	22	NO	FP-2202S 2-1437251-8
2.288	2.294	2.000	21	YES	FP-2102SP 2-1437251-3	
2.288	2.294	2.000	21	NO	FP-2102S 2-1437251-2	
OBSOLETE	2.188	2.194	1.900	20	YES	FP-2002SP 1-1437251-8
OBSOLETE	2.188	2.194	1.900	20	NO	FP-2002S 1-1437251-7
2.088	2.094	1.800	19	YES	FP-1902SP 1-1437251-1	
2.088	2.094	1.800	19	NO	FP-1902S 1-1437251-0	
1.988	1.994	1.700	18	YES	FP-1802SP 1437251-6	
1.988	1.994	1.700	18	NO	FP-1802S 1437251-5	
1.888	1.894	1.600	17	YES	FP-1702SP 9-1437250-7	
1.888	1.894	1.600	17	NO	FP-1702S 9-1437250-6	
OBSOLETE	1.788	1.794	1.500	16	YES	FP-1602SP 9-1437250-2
OBSOLETE	1.788	1.794	1.500	16	NO	FP-1602S 9-1437250-1
1.688	1.694	1.400	15	YES	FP-1502SP 8-1437250-4	
1.688	1.694	1.400	15	NO	FP-1502S 8-1437250-3	
1.588	1.594	1.300	14	YES	FP-1402SP 7-1437250-9	
1.588	1.594	1.300	14	NO	FP-1402S 7-1437250-8	
1.488	1.494	1.200	13	YES	FP-1302SP 7-1437250-1	
1.488	1.494	1.200	13	NO	FP-1302S 7-1437250-0	
1.388	1.394	1.100	12	YES	FP-1202SP 6-1437250-6	
1.388	1.394	1.100	12	NO	FP-1202S 6-1437250-5	
1.288	1.294	1.000	11	YES	FP-1102SP 5-1437250-8	
1.288	1.294	1.000	11	NO	FP-1102S 5-1437250-7	
1.188	1.194	0.900	10	YES	FP-1002SP 5-1437250-3	
1.188	1.194	0.900	10	NO	FP-1002S 5-1437250-2	
1.088	1.094	0.800	9	YES	FP-0902SP 4-1437250-6	
1.088	1.094	0.800	9	NO	FP-0902S 4-1437250-5	
0.988	0.994	0.700	8	YES	FP-0802SP 4-1437250-1	
0.988	0.994	0.700	8	NO	FP-0802S 4-1437250-0	
0.888	0.894	0.600	7	YES	FP-0702SP 3-1437250-3	
0.888	0.894	0.600	7	NO	FP-0702S 3-1437250-2	
0.788	0.794	0.500	6	YES	FP-0602SP 2-1437250-8	
0.788	0.794	0.500	6	NO	FP-0602S 2-1437250-7	
0.688	0.694	0.400	5	YES	FP-0502SP 2-1437250-1	
0.688	0.694	0.400	5	NO	FP-0502S 2-1437250-0	
OBSOLETE	0.588	0.594	0.300	4	YES	FP-0402SP 1-1437250-6
OBSOLETE	0.588	0.594	0.300	4	NO	FP-0402S 1-1437250-5
OBSOLETE	0.488	0.494	0.200	3	NO	FP-0302S 1437250-8
OBSOLETE	0.388	0.394	0.100	2	NO	FP-0202S 1437250-4

THIS DRAWING IS A CONTROLLED DOCUMENT.

DIMENSIONS: INCHES. TOLERANCES UNLESS OTHERWISE SPECIFIED:

0. PLC	± .005
1. PLC	± .005
2. PLC	± .005
3. PLC	± .005
4. PLC	± .005
ANGLES	± .2°

MATERIAL: THERMOPLASTIC, UL 94-V0. FINISH: BLUE.

APPROVED: J. POLIGNONE, C. ROHDE, C. ROHDE

DATE: 20JUN08

TYCO ELECTRONICS CORPORATION, HARRISBURG, PA 17105-3608

PRODUCT SPEC: FLEXPAC, FEMALE SOCKET CONNECTOR ASSEMBLY, RIGHT ANGLE, SINGLE ROW

SIZE: A1. CAGE CODE: 00779. DRAWING NO: 1437250-4

SCALE: 4:1. SHEET 1 OF 1. REV B.

7-1437250-9  
SHOWN