

Specification Sheet

USB2.0 Flash Drive AH135



Table of Contents

1. Product Introduction.....	3
2. Product Features.....	3
3. Specifications.....	4
4. Physical Dimension.....	4
5. Revision History.....	5

1. Product Introduction

AH135 captures the image of a tree embracing the breeze. The metallic branches display the strength of a solid tree trunk and the beauty of its fine lines. The shape of hollowed-out leaf conveys richness of leaves and reminds people of sunshine gleaming through the treetops and casting a shadow onto the ground.

AH135 is made of zinc alloy, presenting boutique-like quality and touch. More than an aesthetic design, the hollowed-out look of AH135 can not only be used as grommets for users to attach a bracelet or strap but fit ergonomic concept with increased surface friction for easier plugging/unplugging.

Available in capacities from 4GB to 32GB, AH135 can meet various user needs. It is also compatible with Windows 7 operating system and comes uniquely with ACE compression software which can increase the capacity by up to 500%, making the tiny flash drive display a storage device beyond imagination!

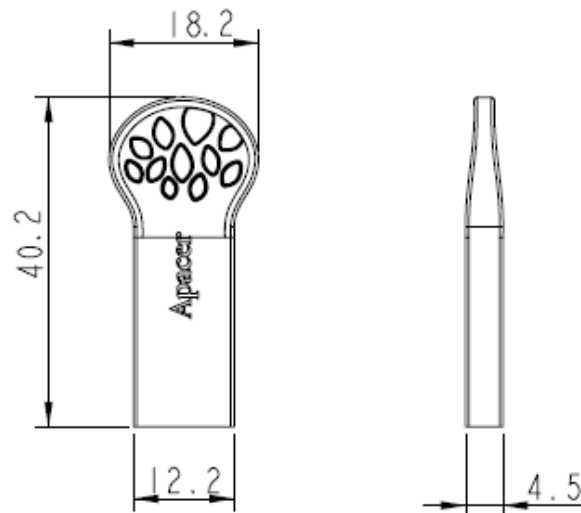
2. Product Features

- High-speed USB 2.0 certified, backwards compatible with USB 1.1
- USB powered. No external power required.
- Compact and slim
- Tree-shape design
- Metallic quality & touch; robust and sturdy
- advanced COB technology with water-proof, dust-proof and shock-proof functions
- RoHS compliant

3. Specifications

Specifications	
Interface	High-speed USB 2.0 certified, backwards compatible with USB 1.1
Power supply	USB bus powered; No external power required
Operating Systems Supported	Windows 7/XP/2000/Vista, Mac OS 8.6 and Linux 2.4.0 or above
Capacity	4GB-32GB
Operating Temperature	0° C to +60° C (32° F to 140° F)
Storage Temperature	-20° C to +60° C (-4° F to +140° F)
Dimensions	(L)40.2 x (W)18.2 x (H)4.5mm
Weight	6.5g
Certificate	CE, FCC, BSMI

4. Physical Dimension



Unit: mm

5. Revision History

Revision	History	Date	Remark
1.0	Official release	Aug. 28,2012	