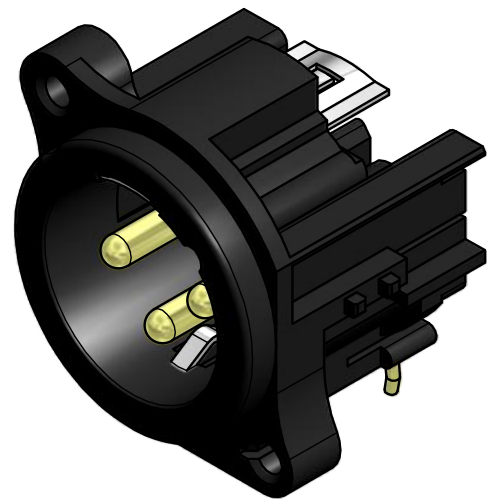
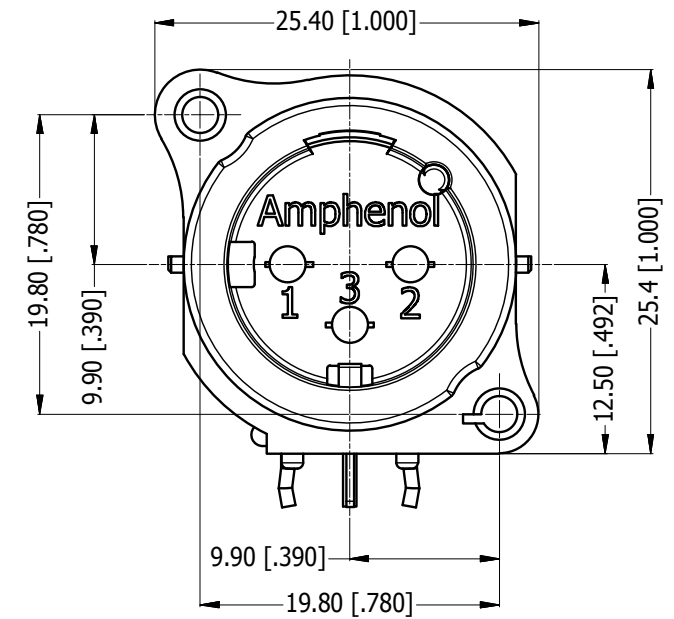
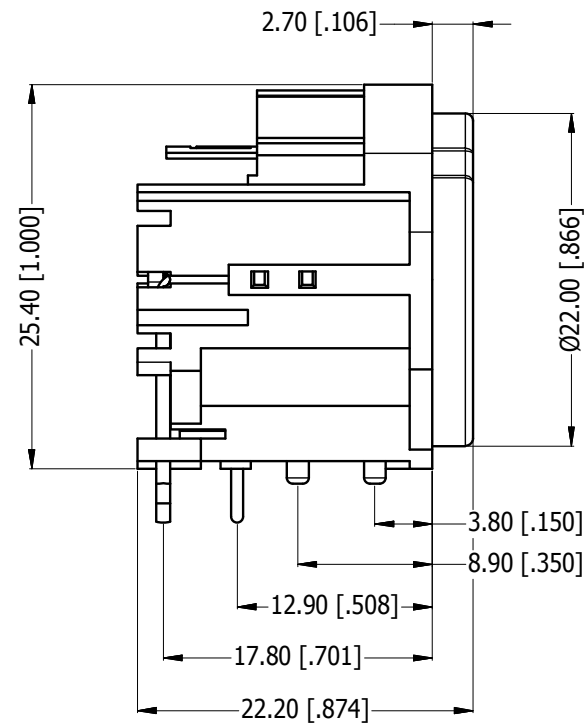
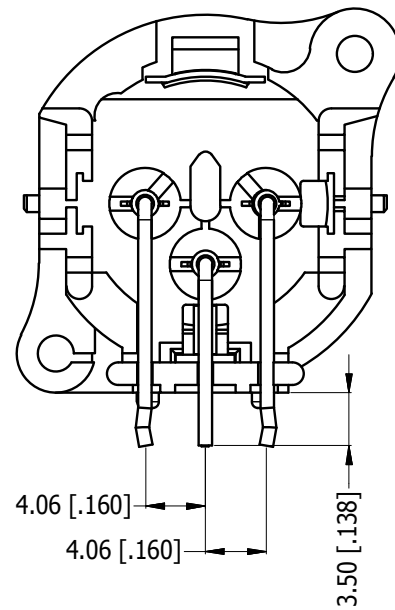
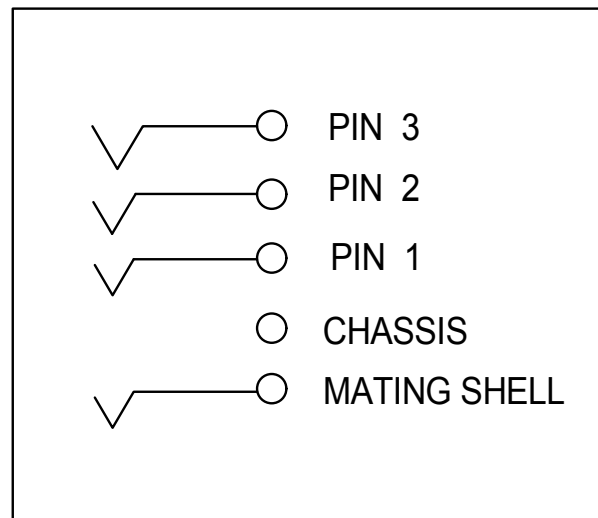


LEGEND = KEY PRODUCT CHARACTERISTICS

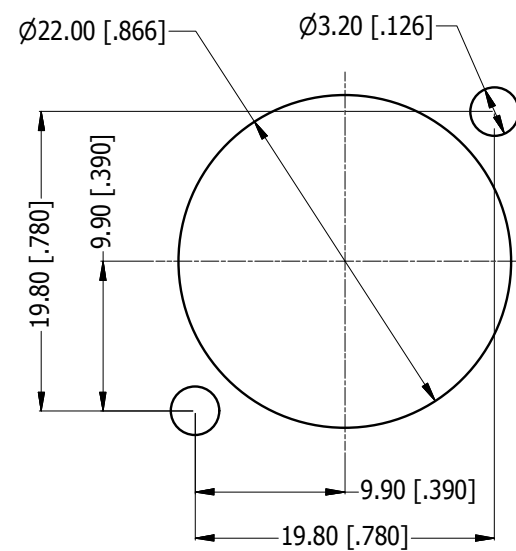
REVISION HISTORY				
REV	DESCRIPTION	DATE	BY	CHG/No
0	FIRST ISSUE	28/10/2014	MH	---



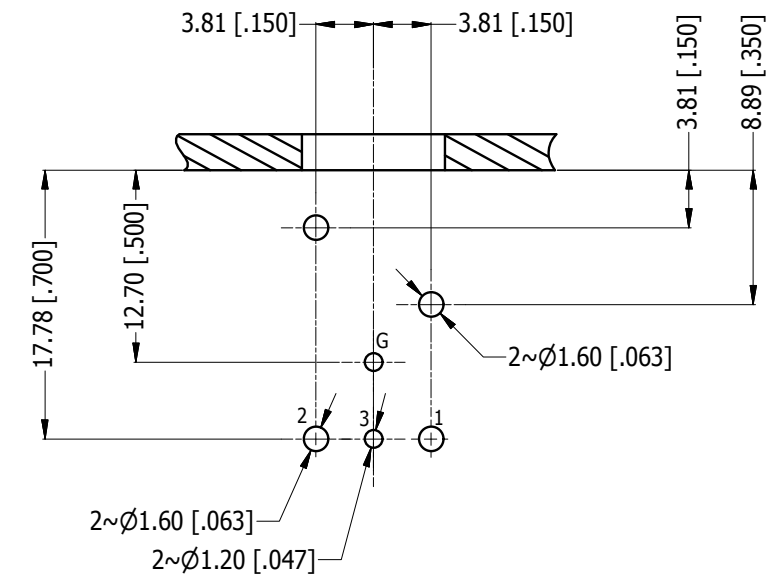
<VIEW>  
SCALE 1:1



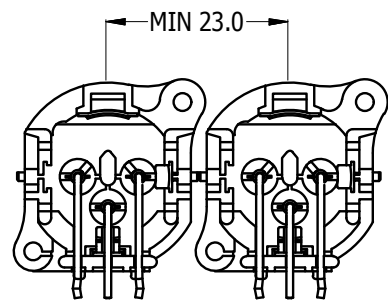
SCHMATIC CHART



PANEL CUT OUT  
REAR VIEW



PCB-LAYOUT  
COMPONENT SIDE  
TOLERANCE: ± 0.05mm [.002"]



MIN MOUNTING PITCH  
SCALE 1:1

UNLESS OTHERWISE SPECIFIED TOLERANCE TO BE		THIS DOCUMENT IS THE PROPERTY OF AMPHENOL AUSTRALIA PTY. LTD. NO PART THEREOF MAY BE REPRODUCED AND USED WITHOUT THE PRIOR WRITTEN CONSENT OF THE OWNER				<b>Amphenol</b> Amphenol Australia Pty.Ltd, 22 Industry Blvd, Carrum Downs, VIC 3201	
LINEAR	ANGULAR	MATERIAL: REFER TO COMPONENT	DRN: MH	DATE: 28/10/14	TITLE: AC3MAH-AU-PRE HORIZONTAL MALE CUSTOMER DRAWING	PART No: AC3MAH-AU-PRE	
X ±0.5	X' ±1	BREAK ALL SHARP EDGES AND REMOVE ALL BURRS	CKD: M.H	DATE: 28/10/14	DO NOT SCALE	DRAWING NO. 55011047-000-2	SHEET 2/2
X.X ±0.1	X.X' ±.30'	FINISH: REFER TO COMPONENT	APP'D: P.M	DATE: 28/10/14	DIMENSIONS IN MILLIMETRES		
X.XX ±0.05	X.XX" ±.15"		SCALE: 2:1	SIZE: A3	CAD FILE 55011047000210		