

THIS DRAWING IS UNPUBLISHED. RELEASED FOR PUBLICATION JAN ,2006.

© COPYRIGHT 2006 BY TYCO ELECTRONICS CORPORATION. ALL RIGHTS RESERVED.

| LOC | DIST | REVISIONS | | | | | |
|-----|------|-----------|-----|---------------|---------|-----|------|
| E | B | P | LTR | DESCRIPTION | DATE | DWN | APVD |
| | | C | | ECR-06-001518 | 26JAN06 | JMS | FWK |

NOTES:

- ① PACK IN ACCORDANCE WITH AMP SPEC 107-3275
- ② 100 TRAY PACK IN ACCORDANCE WITH AMP SPEC 107-3275
- ③ Au PLATING
- ④ Ni PLATING
- ⑤ THIS ITEM MUST BE WHITE

6 ELECTRICAL CHARACTERISTICS

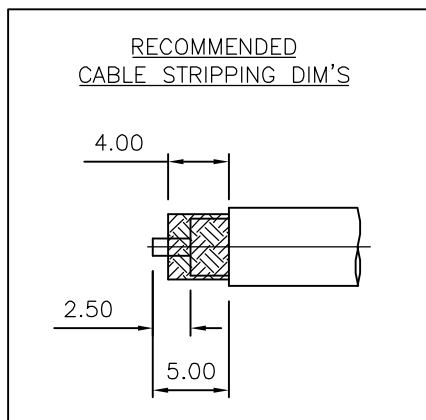
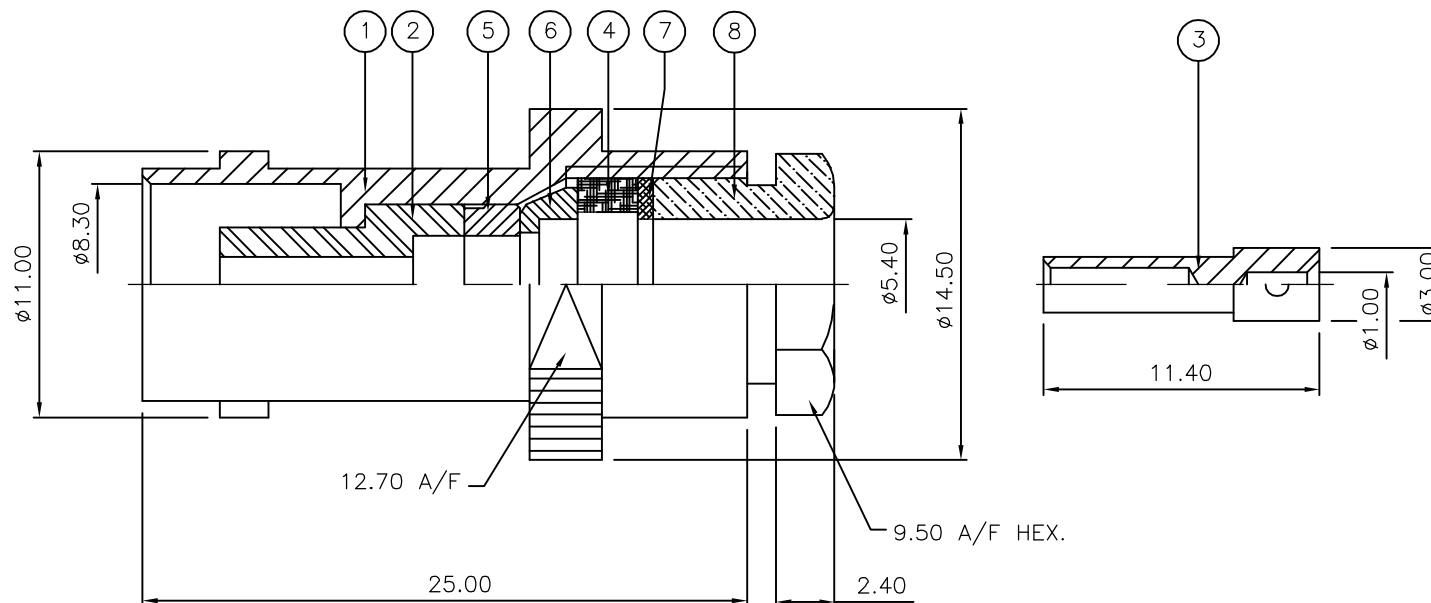
| | |
|-------------------------------|----------------------------|
| FREQUENCY RANGE: | DC - 4 GHz |
| NOMINAL IMPEDANCE: | 50 Ohm |
| INSULATION RESISTANCE: | 5000 MOhm |
| WORKING VOLTAGE: | 500 Volts RMS at Sea Level |
| DIELECTRIC WITHSTAND VOLTAGE: | 1500 Volts RMS Max |
| CONTACT RESISTANCE: | |
| CENTRE CONTACT: | 1.50 mOhm Max |
| OUTER CONTACT: | 0.20 mOhm Max |
| VSWR @ 4GHz: | 1.30:1 Max |
| INSERTION LOSS dB @ x 3 GHz: | 0.20 Max |

7 MECHANICAL CHARACTERISTICS

| | |
|-------------------------------|----------------|
| COUPLING NUT RETENTION FORCE: | N/A |
| CABLE RETENTION FORCE: | 170N Min |
| CLAMP NUT RECOMMENDED TORQUE: | 4N |
| DURABILITY: | 500 Cycles Min |

8 ENVIRONMENTAL CHARACTERISTICS

| | |
|------------------------|------------------|
| OPERATING TEMPERATURE: | -65 to +165 DegC |
|------------------------|------------------|



| QTY | QTY PER ASSY | QTY PER ASSY | MATERIAL | DESCRIPTION | ITEM |
|------|--------------|--------------|-----------------|-------------|------|
| 1 | 1 | | BRASS | CLAMP NUT | 8 |
| 1 | 1 | | BRASS | WASHER | 7 |
| 1 | 1 | | BRASS | BUSH | 6 |
| 1 | 1 | | BRASS | SLEEVE | 5 |
| 1 | 1 | | SILICONE RUBBER | GASKET | 4 |
| 1 | 1 | | BRASS | CONTACT | 3 |
| 1 | 1 | | PTFE | INSULATION | 2 |
| 1 | 1 | | BRASS | BODY | 1 |
| 6--0 | 1--0 | | | | |

| | | | | |
|--|--|--|---|--|
| THIS DRAWING IS A CONTROLLED DOCUMENT. | | DWN J.SANDWELL 26JAN06 | Tyco Electronics Corporation Bideford EX39 4HE | |
| DIMENSIONS: mm | | CHK S.PARLOW 26JAN06 | | |
| TOLERANCES UNLESS OTHERWISE SPECIFIED: | | APVD F.WHEELER-KING 26JAN06 | NAME BNC STRAIGHT JACK MIL-CLAMP 50 OHM RG58C/U, 141A/U, URM43, 76, BELDEN 9907, KX15 | |
| 0 PLC ± - | | PRODUCT SPEC | APPLICATION SPEC | |
| 1 PLC ± - | | 411-3232 | | |
| 2 PLC ± - | | WEIGHT - | | |
| 3 PLC ± - | | SIZE A3 CAGE CODE 00779 DRAWING NO C-1337536 RESTRICTED TO - | | |
| 4 PLC ± - | | CUSTOMER DRAWING | | |
| ANGLES ± - | | SCALE NTS SHEET 1 OF 1 REV C | | |
| FINISH - | | | | |
| MATERIAL SEE TABLE | | | | |