

MATERIALS AND FINISHES

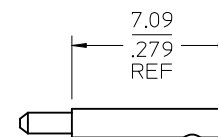
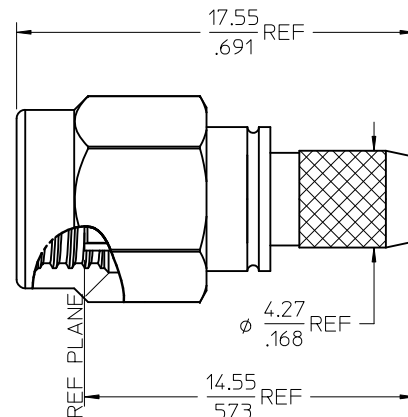
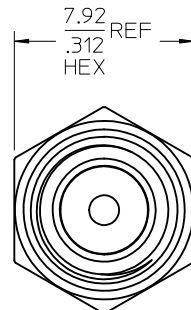
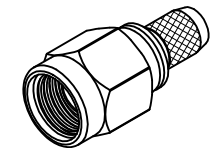
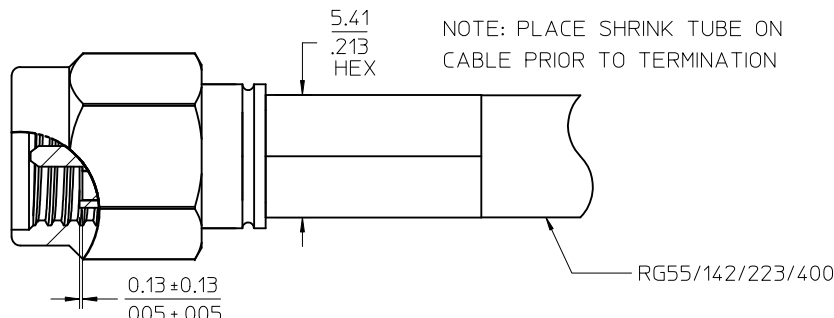
BODY AND COUPLING NUT STAINLESS STEEL
PASSIVATED

CENTER CONTACT BRASS
PLATED GOLD

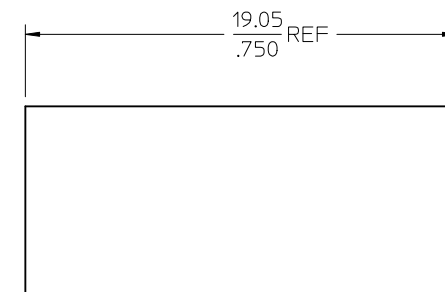
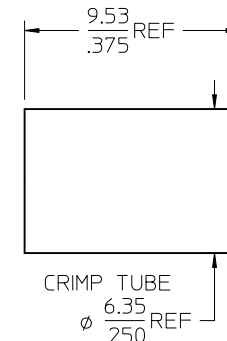
INSULATOR TEFLON

CRIMP TUBE BRASS
PLATED NICKEL

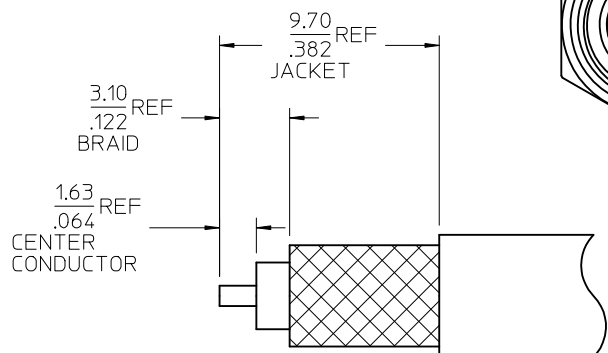
SHRINK TUBE VERSIFIT OR EQUIVALENT



CONTACT



SHRINK TUBE



RECOMMENDED STRIP DIMENSIONS

LABEL FORMAT FOR
73251-0112

PART NUMBER: 73251-0111
ORDER NUMBER: 73251-0112
MOLEX
DATE: YYWW

73251-0112	ONE PIECE 73251-0111 PER BAG
73251-0111	BULK
PART NO.	PACKAGING

ES-89675-1570	CABLE ASSY INSTRUCT.
MIL-STD-348A, FIG. 310.1	INTERFACE
SPECIFICATION	DESCRIPTION

CHG: UPDATE LABEL FOR -0112 EC NO: URF2012-0380 DRW: BOMALLEY 2012/01/04 CHK: AZR 2012/01/04 APPR: WIENER 2012/01/04	QUALITY SYMBOLS ▽=0 ▽=0	GENERAL TOLERANCES (UNLESS SPECIFIED) mm INCH 4 PLACES ± --- ± --- 3 PLACES ± --- ± --- 2 PLACES ± --- ± --- 1 PLACE ± --- ± --- ANGULAR ± 2 °	DIMENSION STYLE MM/IN	SCALE DESIGN UNITS METRIC	THIRD ANGLE PROJECTION	DRAWN BY GMH DATE 1997/11/07	CHECKED BY DHG DATE 1998/01/05	APPROVED BY GMH DATE 1997/01/06	TITLE SMA PLUG, STR, CRIMP TYPE FOR RG55/142/223/400 SMA-PC	MATERIAL NO. SEE TABLE	DOCUMENT NO. SD-73251-011	SHEET NO. 1 OF 1