

# MODEL TL-5134

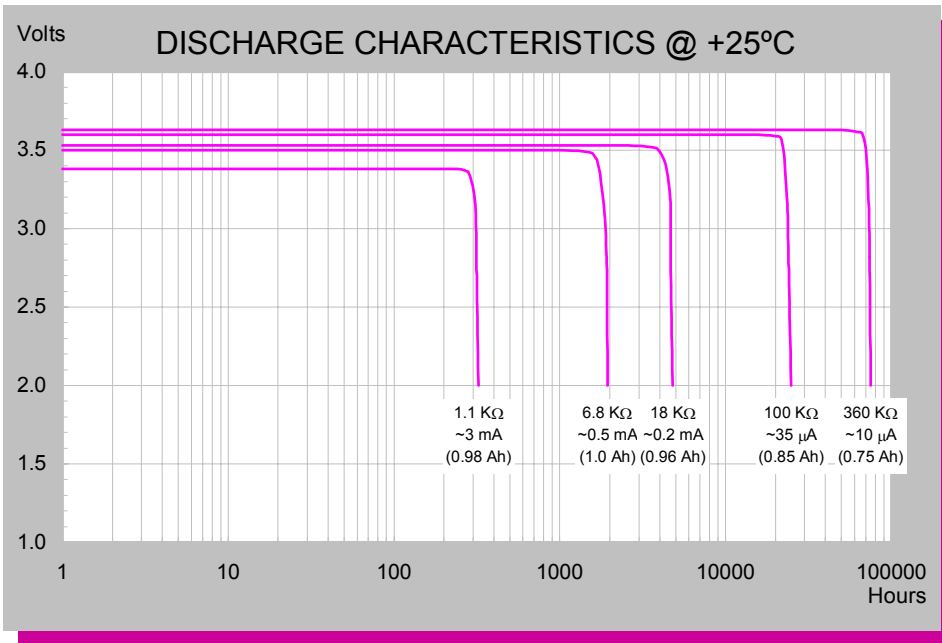
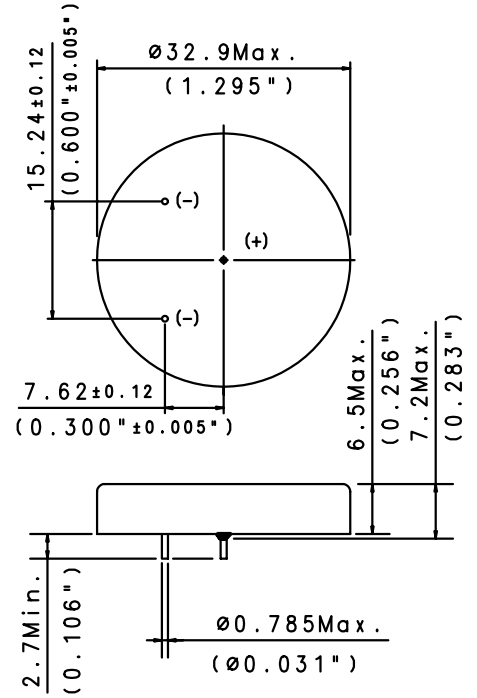
International size reference: 1/10D, ER32L65

## TECHNICAL DATA

(Typical values @+25°C for batteries stored for one year or less)

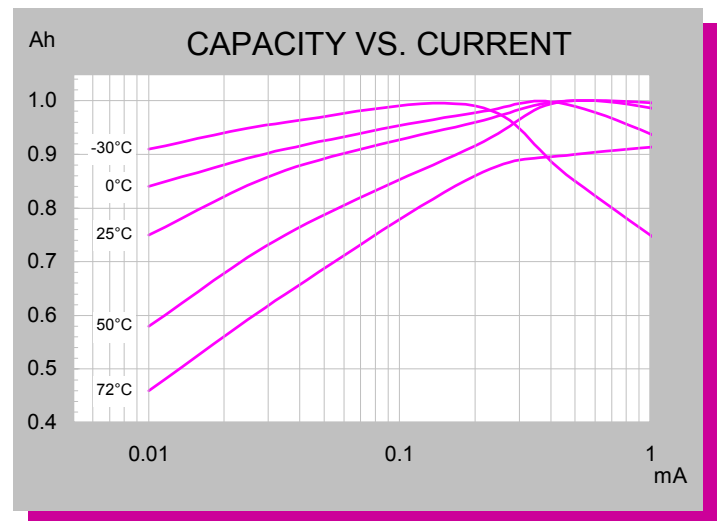
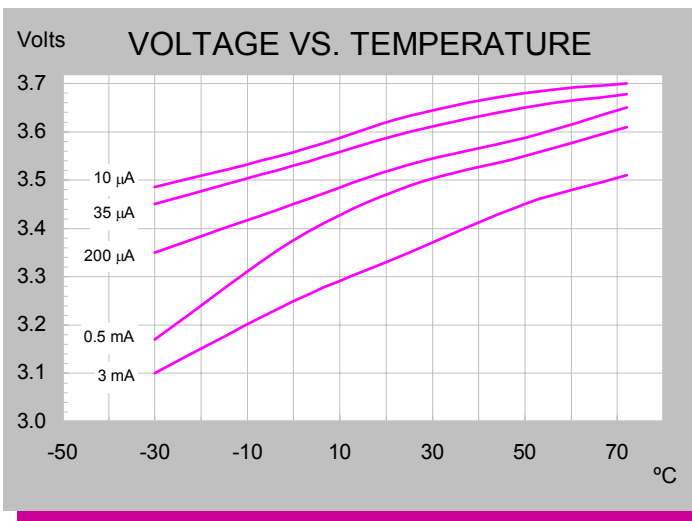
|  |                 |
|--|-----------------|
| ■ Nominal capacity @ 0.5 mA, to 2V     | 1 Ah            |
| ■ Rated voltage                        | 3.6 V           |
| ■ Weight                               | 16.8g (0.59 oz) |
| ■ Volume                               | 5 cc            |
| ■ Operating temperature range          | -55°C to +85°C  |
| ■ U.L. Component Recognition, MH 12193 |                 |

**TADIRAN**  
**LITHIUM**  
**BATTERIES**



### ADDITIONAL INFORMATION

TERMINAL MATERIAL : TIN PLATED NICKEL  
CATALOGUE NO. : 15-5134-41000



**MEMORY BACKUP**

Note: Any presentations in this data sheet concerning performance are for information purpose only and are not construed as warranties either expressed or implied, of future performance. Rev. D 05/03