

Part Number: APBA3010EYC-GX

High Efficiency Red
Yellow

Features

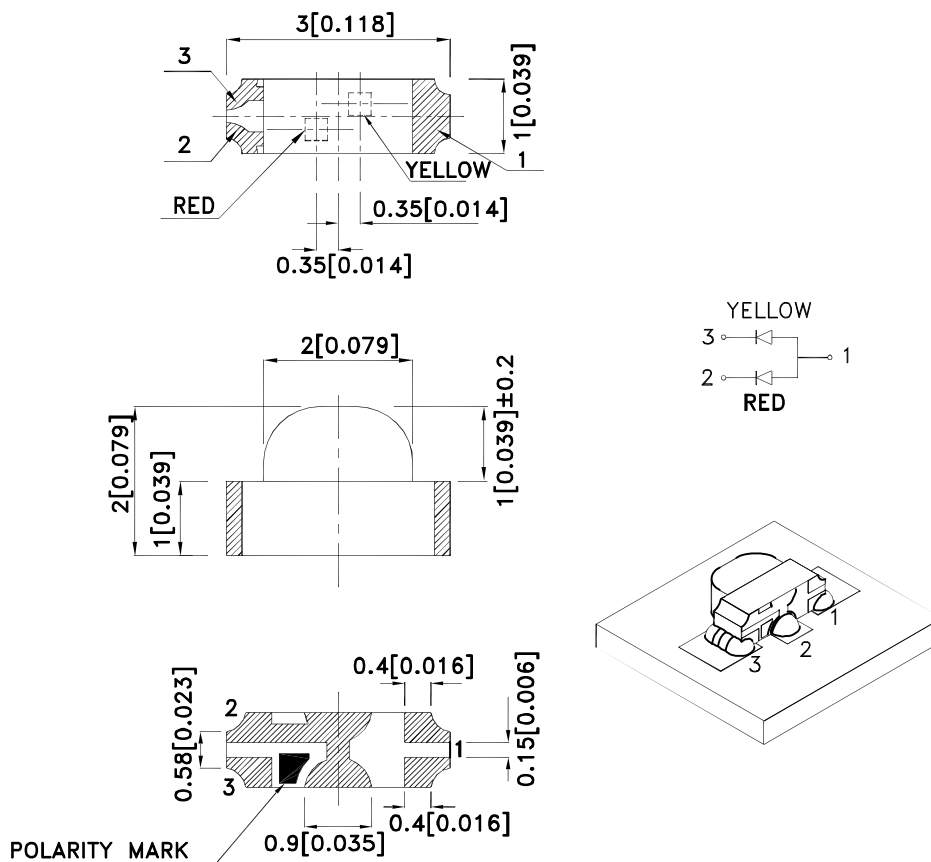
- 3.0mmx1.0mm right angle SMT LED, 2.0mm thickness.
- Low power consumption.
- Wide viewing angle.
- Ideal for backlight and indicator.
- Various colors and lens types available.
- Package : 2000pcs / reel.
- Moisture sensitivity level : level 3.
- Tinned pads for improved solderability.
- RoHS compliant.

Description

The High Efficiency Red source color devices are made with Gallium Arsenide Phosphide on Gallium Phosphide Orange Light Emitting Diode.

The Yellow source color devices are made with Gallium Arsenide Phosphide on Gallium Phosphide Yellow Light Emitting Diode.

Package Dimensions



Notes:

1. All dimensions are in millimeters (inches).
2. Tolerance is $\pm 0.15(0.006)$ unless otherwise noted.
3. The specifications, characteristics and technical data described in the datasheet are subject to change without prior notice.
4. The device has a single mounting surface. The device must be mounted according to the specifications.



Selection Guide

| Part No. | Dice | Lens Type | Iv (mcd) [2] @ 20mA | | Viewing Angle [1] |
|----------------|---------------------------------|-------------|------------------------|------|----------------------|
| | | | Min. | Typ. | 2θ1/2 |
| APBA3010EYC-GX | High Efficiency Red (GaAsP/GaP) | Water Clear | 8 | 15 | 140° |
| | Yellow (GaAsP/GaP) | | *3 | *8 | |
| | | | 5 | 8 | |
| | | | *5 | *8 | |

Notes:

1. θ1/2 is the angle from optical centerline where the luminous intensity is 1/2 of the optical peak value.

2. Luminous intensity/ Luminous Flux: +/-15%.

*Luminous intensity value is traceable to the CIE127-2007 compliant national standards.

Electrical / Optical Characteristics at TA=25°C

| Symbol | Parameter | Device | Typ. | | Max. | Units | Test Conditions |
|--------|--------------------------|-------------------------------|------------|--------------|------------|-------|-----------------|
| λpeak | Peak Wavelength | High Efficiency Red Yellow | 627 590 | *627 *590 | | nm | IF=20mA |
| λD [1] | Dominant Wavelength | High Efficiency Red Yellow | 625 588 | *617 *588 | | nm | IF=20mA |
| Δλ1/2 | Spectral Line Half-width | High Efficiency Red Yellow | 45 35 | | | nm | IF=20mA |
| C | Capacitance | High Efficiency Red Yellow | 15 20 | | | pF | VF=0V;f=1MHz |
| VF [2] | Forward Voltage | High Efficiency Red Yellow | 2 2.1 | | 2.5 2.5 | V | IF=20mA |
| IR | Reverse Current | High Efficiency Red Yellow | | | 10 10 | uA | VR = 5V |

Notes:

1.Wavelength: +/-1nm.

2.Forward Voltage: +/-0.1V.

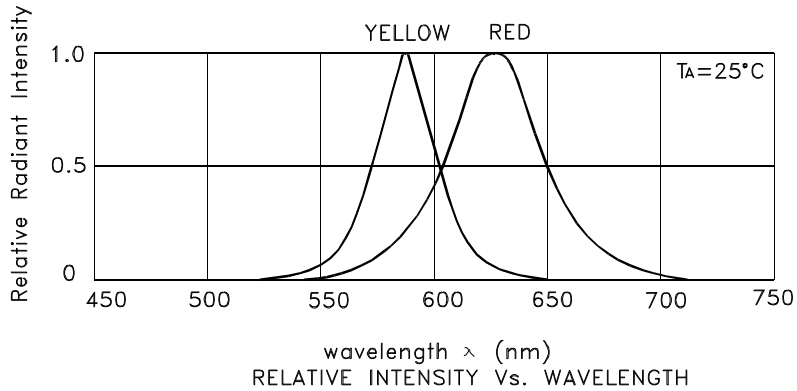
*Wavelength value is traceable to the CIE127-2007 compliant national standards.

Absolute Maximum Ratings at TA=25°C

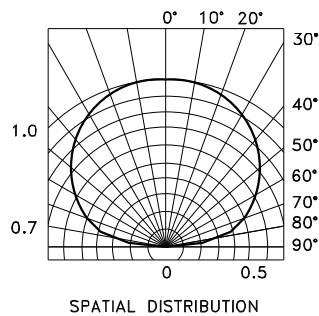
| Parameter | High Efficiency Red | Yellow | Units |
|--------------------------|---------------------|--------|-------|
| Power dissipation | 75 | 75 | mW |
| DC Forward Current | 30 | 30 | mA |
| Peak Forward Current [1] | 160 | 140 | mA |
| Reverse Voltage | 5 | | V |
| Operating Temperature | -40°C To +85°C | | |
| Storage Temperature | -40°C To +85°C | | |

Note:

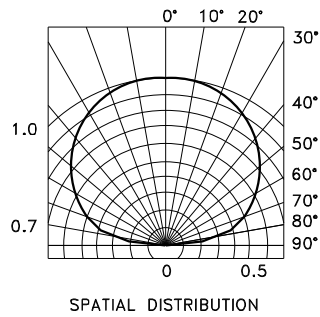
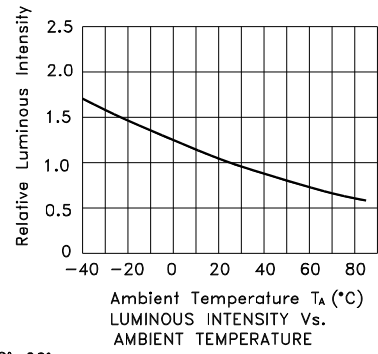
1. 1/10 Duty Cycle, 0.1ms Pulse Width.



APBA3010EYC-GX
High Efficiency Red



Yellow



APBA3010EYC-GX

Reflow soldering is recommended and the soldering profile is shown below.
Other soldering methods are not recommended as they might cause damage to the product.

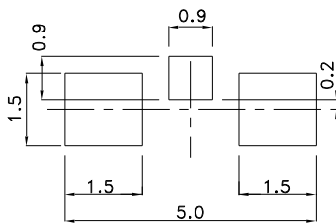
Reflow Soldering Profile For Lead-free SMT Process.



NOTES:

1. We recommend the reflow temperature 245°C(+/-5°C). The maximum soldering temperature should be limited to 260°C.
2. Don't cause stress to the epoxy resin while it is exposed to high temperature.
3. Number of reflow process shall be 2 times or less.

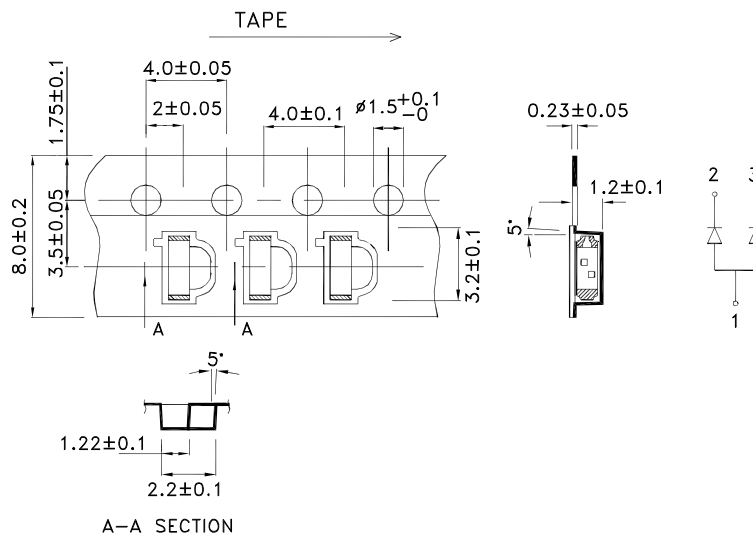
Recommended Soldering Pattern (Units : mm; Tolerance: ± 0.1)



Reel Dimension



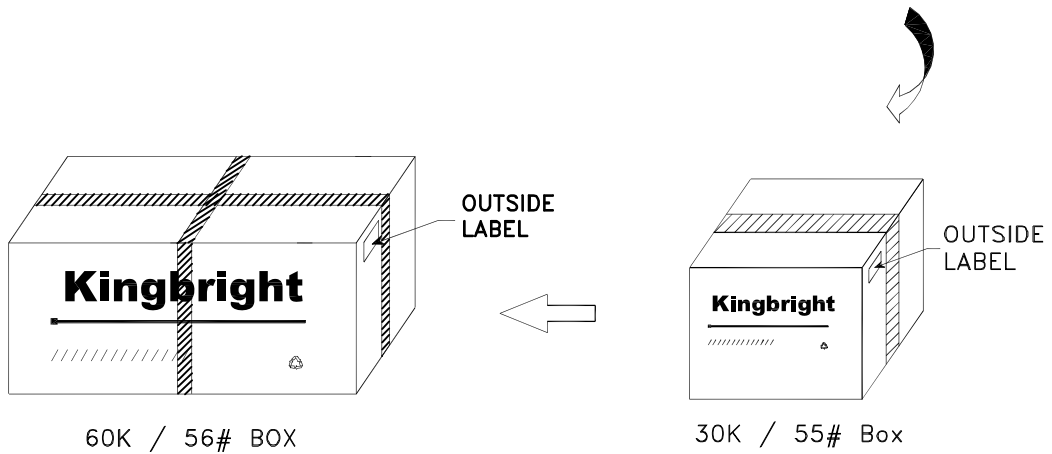
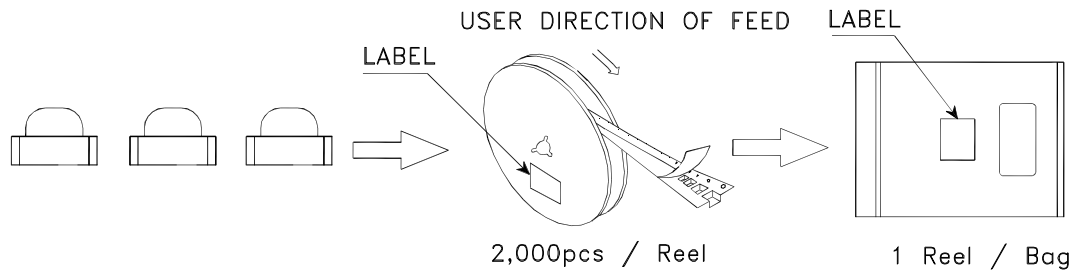
Tape Dimensions (Units : mm)




Kingbright

PACKING & LABEL SPECIFICATIONS

APBA3010EYC-GX



| | |
|--|--|
| <h1>Kingbright</h1> | |
| P/NO: APBA3010XXX | |
| QTY: 2,000 pcs | Q.C. Q C xx xx xxxx PASSED |
| S/N: XXXX | |
| CODE: XXX | |
| LOT NO: | |
|  xxxxxxxxxxxxxxxxxxxxxxxxxxxx | |
| RoHS Compliant | |