

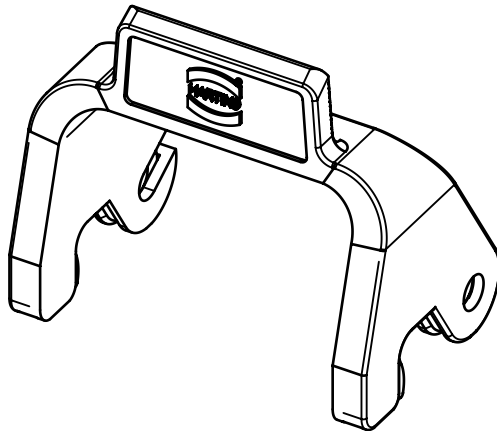
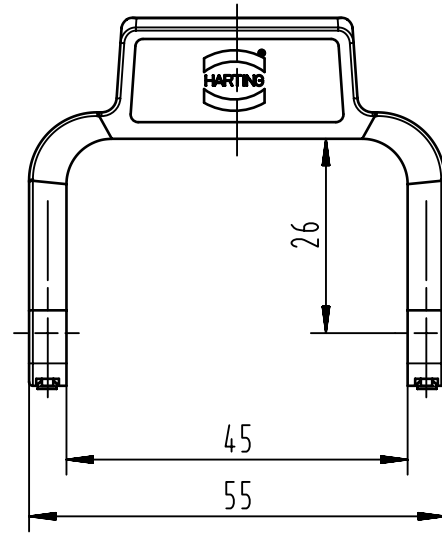
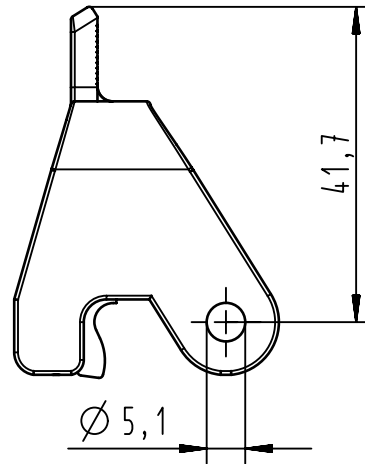
1 2 3 4 5 6

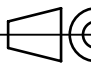

A

B

C

D



| | | | | | | | |
|---|--|--|-----------------------|--------------------------|-----------------|--|----------|
|  | All Dimensions in mm Original Size DIN A4 | Scale 1:1 | | Free size tol. | | Ref. | |
| | | Sub. TB 09000005246 vom 28.04.2009 | | | | | |
|  | All rights reserved | Created by HARLASSK | Inspected by TIEMANNA | Standardisation SCHMIDTM | Date 2012-07-27 | State Final Release | |
| | Department EL PD - DE | Title Double lever Han 10/16/24B black | | | | Doc-Key / ECM-Nr. 100508519/UGD/002/B 500000053785 | |
| HARTING Electric GmbH & Co. KG D-32339 Espelkamp | | Type TB | Number 09 00 000 5246 | | | Rev. B | Page 1/1 |

Mouser Electronics

Authorized Distributor

Click to View Pricing, Inventory, Delivery & Lifecycle Information:

[HARTING:](#)

[09000005246](#)