



FEATURES

Small size - High voltage – High Capacitance

APPLICATIONS

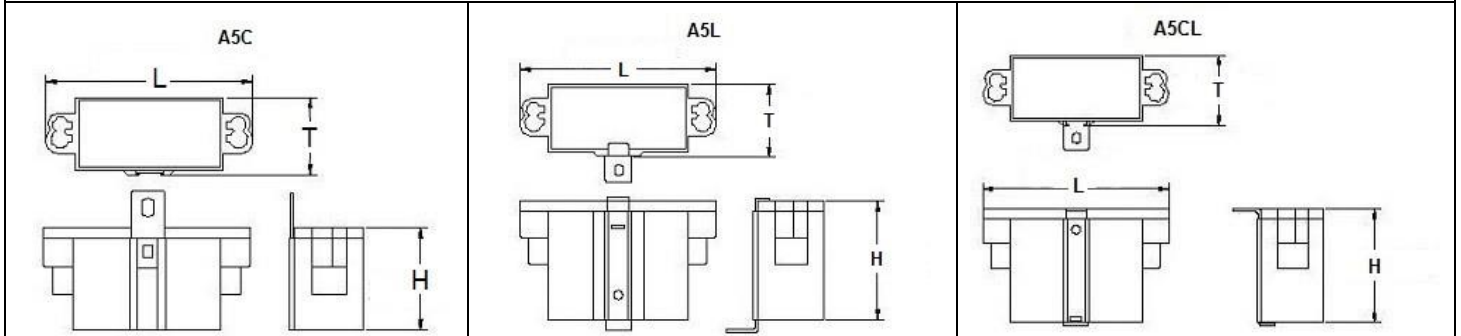
Motor Run

Operating Temperature Range		-25°C to +85°C							
Capacitance Tolerance		±10% at 1 kHz, 25°C							
AC Voltage	70°C	250	275	300	350	370	400	450	
	85°C	200	220	250	280	320	320	360	
Maximum Over voltage		110% of rated VAC							
Dissipation Factor (MAX) Tan δ at 1 kHz and 25°C		1.0%							
Insulation Resistance		Terminal to Terminal				Terminal to Case			
		1000 MΩxuF After 1 minute of 100VDC applied between the terminals at 25°C				2000 MΩxuF After 1 minute of 100VDC applied between the terminals at 25°C			
Self Inductance		<1 nano-Henry per mm of lead spacing and lead length							
Long Term Stability		Capacitance variation <1% MAX after 2 years							
Dielectric Strength		Terminal to Terminal				Terminal to Case			
		175% of VAC applied for 60 Seconds and 25°C				200% of VAC+1000VAC or 2KVAC at 50/60 Hz applied between the terminals and case for 60 Seconds and 25°C, whichever is greater			
Agency certifications		UL – E144575							
		C22.2 No. 190-M1985							
Terminations		<p>Connection: Insert stripped wire into contact hole</p> <p>Removal: Push probe or pin into the mounting hole and press down the contact slightly to release and remove the wire</p>							

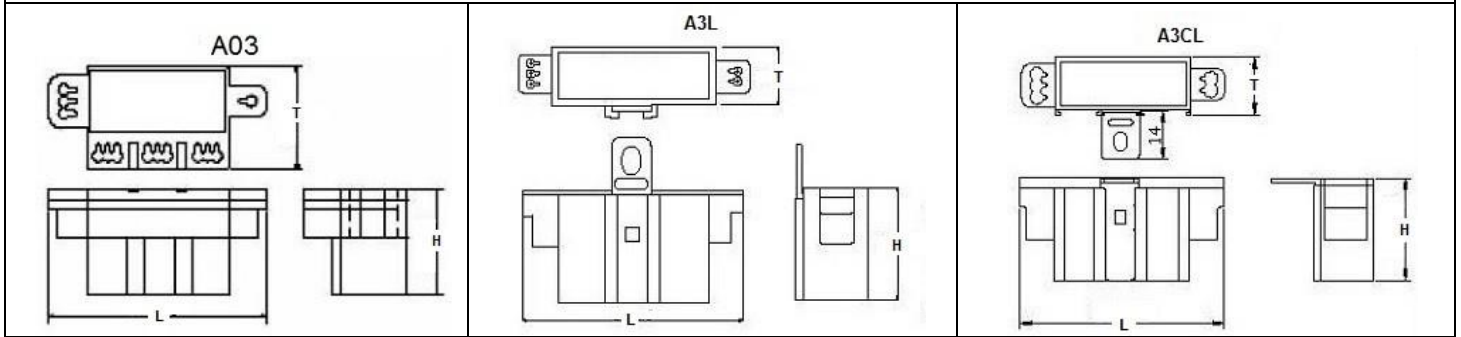


Mounting lead Options

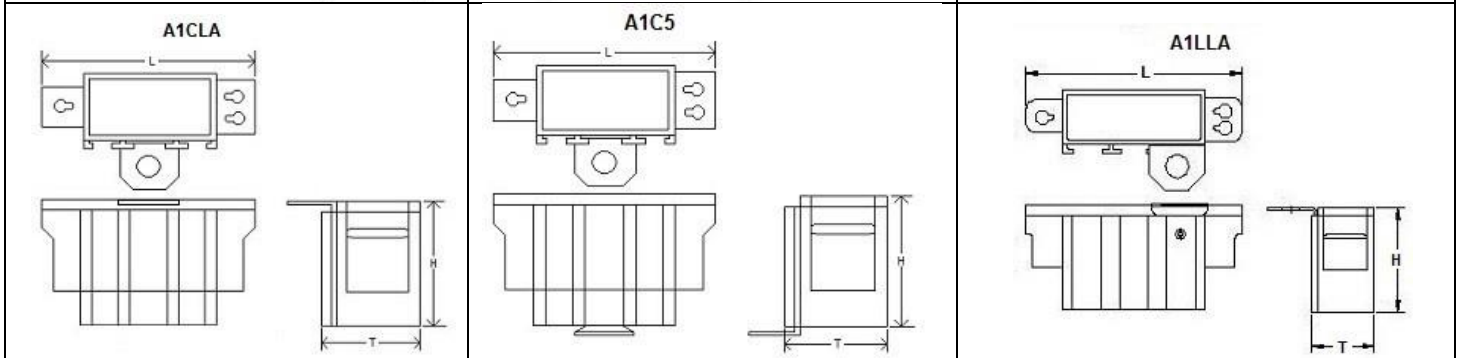
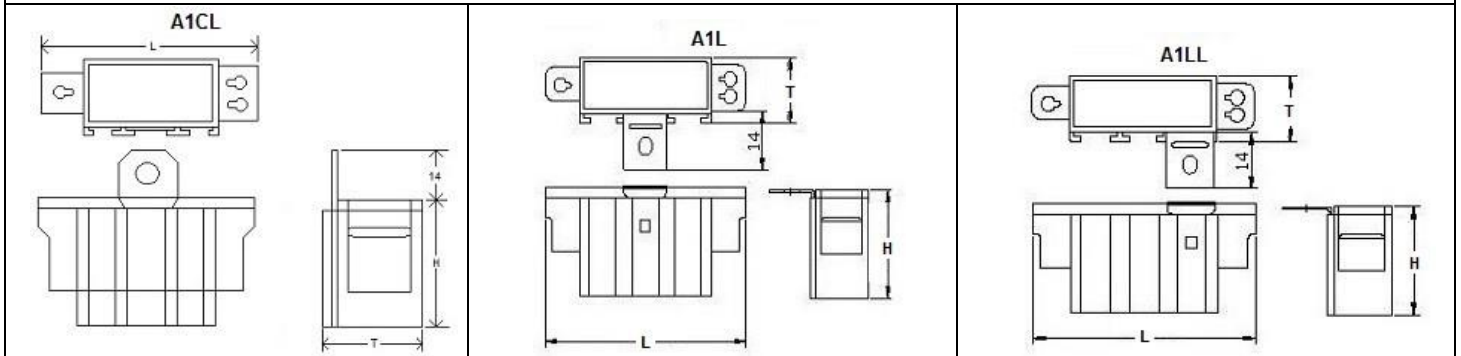
Case Code B8



Case Code B5 and B5B



Case Code A3



QPC

Motor Run

VAC	Capacitance (µF)	IC PART NUMBER	Dims LxHxT (mm)	Case Code
250	1	105QPC250KA3#	46x24x13	A3
250	1.2	125QPC250KA3#	46x24x13	A3
250	1.5	155QPC250KA3#	46x24x13	A3
250	2	205QPC250KA3#	46x24x13	A3
250	2.5	255QPC250KA3#	46x24x13	A3
250	3	305QPC250KA3#	46x24x13	A3
250	3.5	355QPC250KA3#	46x24x13	A3
250	4	405QPC250KA3#	46x24x13	A3
250	4	405QPC250KB5#	52x26x18	B5
250	4	405QPC250KB5B#	52x26x24	B5B
250	4.5	455QPC250KB5#	52x26x18	B5
250	4.5	455QPC250KB5B#	52x26x24	B5B
250	5	505QPC250KA3#	46x24x13	A3
250	5	505QPC250KB5#	52x26x18	B5
250	5	505QPC250KB5B#	52x26x24	B5B
250	5	505QPC250KB8#	53x30x22	B8
250	6	605QPC250KB5#	52x26x18	B5
250	6	605QPC250KB5B#	52x26x24	B5B
250	6	605QPC250KB8#	53x30x22	B8
250	7	705QPC250KB5#	52x26x18	B5
250	7	705QPC250KB5B#	52x26x24	B5B
250	7	705QPC250KB8#	53x30x22	B8
250	8	805QPC250KB8#	53x30x22	B8
250	9	905QPC250KB8#	53x30x22	B8
250	10	106QPC250KB8#	53x30x22	B8
275	0.9	904QPC275KA3#	46x24x13	A3
275	3	305QPC275KA3#	46x24x13	A3
275	5	505QPC275KB8#	53x30x22	B8
275	5.5	555QPC275KA3#	52x27x18	A3
275	8	805QPC275KB8#	53x30x22	B8
300	0.8	804QPC300KA3#	46x24x22	A3
300	2.5	255QPC300KA3#	46x24x22	A3
300	2.5	255QPC300KB5#	52x26x18	B5
300	2.5	255QPC300KB5B#	52x26x24	B5B
300	4	405QPC300KB8#	53x30x22	B8
300	4.5	455QPC300KB5B#	52x26x24	B5B

VAC	Capacitance (µF)	IC PART NUMBER	Dims LxHxT (mm)	Case Code
300	4.5	455QPC300KB5#	52x26x18	B5
300	7	705QPC300KB8#	53x30x22	B8
300	7	705QPC300KB8#	53x30x22	B8
350	0.6	604QPC350KA3#	46x24x13	A3
350	1.8	185QPC350KA3#	46x24x13	A3
350	1.8	185QPC350KB5#	52x26x18	B5
350	1.8	185QPC350KB5B#	52x26x24	B5B
350	2.5	255QPC350KB5#	52x26x18	B5
350	2.5	255QPC350KB5B#	52x26x24	B5B
350	3.5	355QPC350KB8#	53x30x22	B8
350	5.5	555QPC350KA3#	53x30x22	A3
370	4	405QPC370KB8#	53x30x22	B8
370	5	505QPC370KB8#	53x30x22	B8
370	6	605QPC370KB8#	53x30x22	B8
400	0.5	504QPC400KA3#	46x24x13	A3
400	1	105QPC400KB5#	52x26x18	B5
400	1	105QPC400KB5B#	52x26x24	B5B
400	1.2	125QPC400KA3#	46x24x13	A3
400	1.5	155QPC400KB5#	52x26x18	B5
400	1.5	155QPC400KB5B#	52x26x24	B5B
400	2	205QPC400KB5#	52x26x18	B5
400	2	205QPC400KB5B#	52x26x24	B5B
400	2.5	255QPC400KB5#	52x26x18	B5
400	2.5	255QPC400KB5B#	52x26x24	B5B
400	2.7	275QPC400KB5#	52x26x18	B5
400	2.7	275QPC400KB5B#	52x26x24	B5B
400	3	305QPC400KB8#	53x30x22	B8
400	4	405QPC400KB8#	53x30x22	B8
450	0.4	404QPC450KA3#	46x24x13	A3
450	1	105QPC450KA3#	46x24x13	A3
450	1	105QPC450KB5#	52x26x18	B5
450	1	105QPC450KB5B#	52x26x24	B5B
450	2	205QPC450KB5#	52x26x18	B5
450	2	205QPC450KB5B#	52x26x24	B5B
450	3.3	335QPC450KB8#	53x30x22	B8