



### FEATURES

Small size - High voltage – High Capacitance

### APPLICATIONS

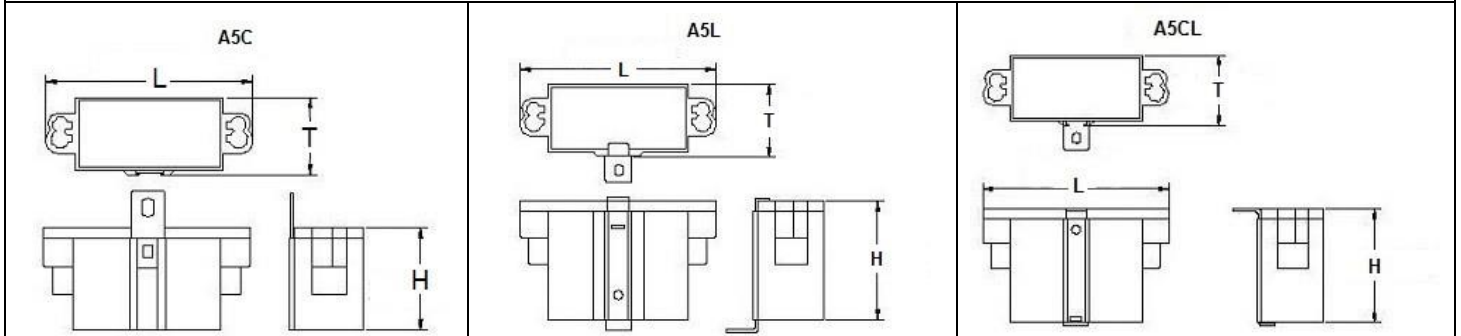
Motor Run

<b>Operating Temperature Range</b>		<b>-25°C to +85°C</b>							
<b>Capacitance Tolerance</b>		<b>±10% at 1 kHz, 25°C</b>							
<b>AC Voltage</b>	<b>70°C</b>	<b>250</b>	<b>275</b>	<b>300</b>	<b>350</b>	<b>370</b>	<b>400</b>	<b>450</b>	
	<b>85°C</b>	<b>200</b>	<b>220</b>	<b>250</b>	<b>280</b>	<b>320</b>	<b>320</b>	<b>360</b>	
<b>Maximum Over voltage</b>		<b>110% of rated VAC</b>							
<b>Dissipation Factor (MAX) Tan δ at 1 kHz and 25°C</b>		<b>1.0%</b>							
<b>Insulation Resistance</b>		<b>Terminal to Terminal</b>				<b>Terminal to Case</b>			
		1000 MΩxuF After 1 minute of 100VDC applied between the terminals at 25°C				2000 MΩxuF After 1 minute of 100VDC applied between the terminals at 25°C			
<b>Self Inductance</b>		<1 nano-Henry per mm of lead spacing and lead length							
<b>Long Term Stability</b>		Capacitance variation <1% MAX after 2 years							
<b>Dielectric Strength</b>		<b>Terminal to Terminal</b>				<b>Terminal to Case</b>			
		175% of VAC applied for 60 Seconds and 25°C				200% of VAC+1000VAC or 2KVAC at 50/60 Hz applied between the terminals and case for 60 Seconds and 25°C, whichever is greater			
<b>Agency certifications</b>		UL – E144575							
		C22.2 No. 190-M1985							
<b>Terminations</b>		<p><b>Connection:</b> Insert stripped wire into contact hole</p> <p><b>Removal:</b> Push probe or pin into the mounting hole and press down the contact slightly to release and remove the wire</p>							

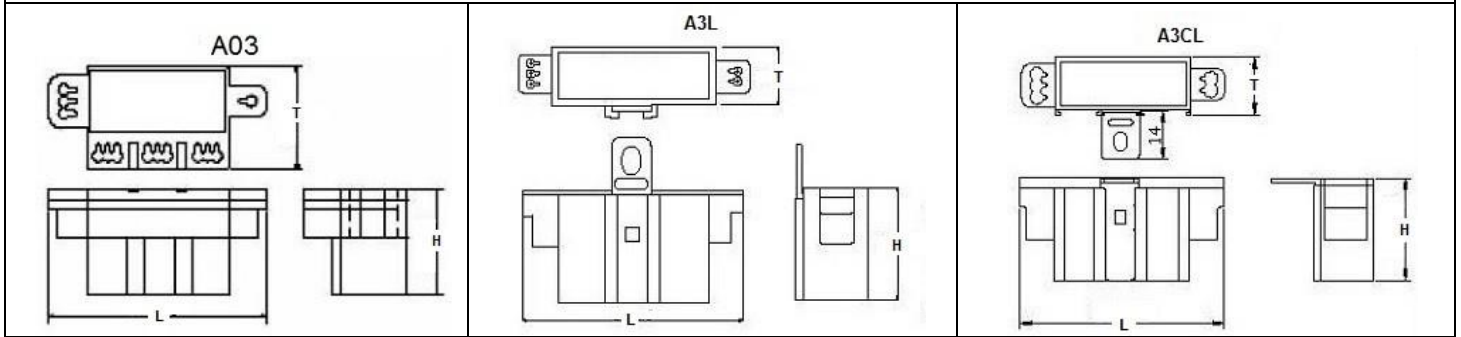


### Mounting lead Options

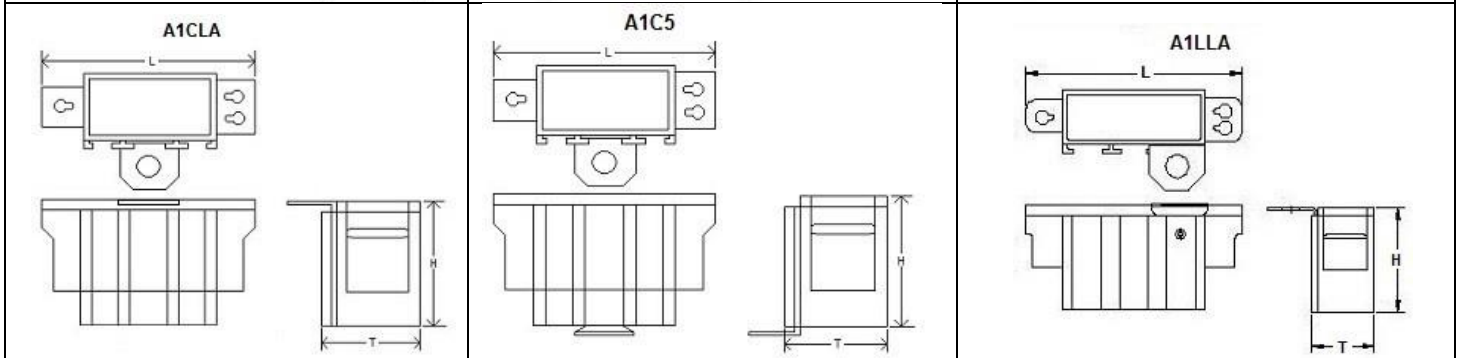
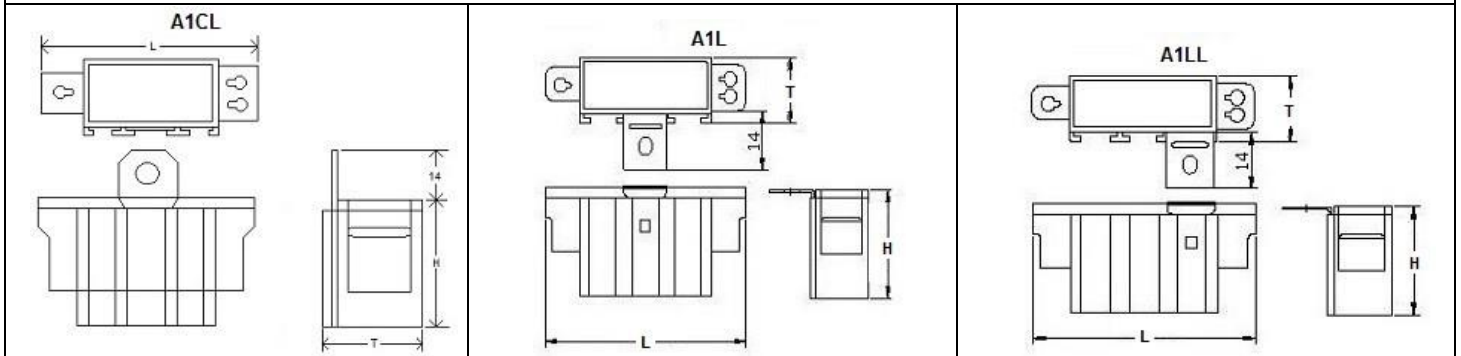
#### Case Code B8



#### Case Code B5 and B5B



#### Case Code A3



# QPC

## Motor Run

VAC	Capacitance (µF)	IC PART NUMBER	Dims LxHxT (mm)	Case Code
250	1	<a href="#">105QPC250KA3#</a>	46x24x13	A3
250	1.2	<a href="#">125QPC250KA3#</a>	46x24x13	A3
250	1.5	<a href="#">155QPC250KA3#</a>	46x24x13	A3
250	2	<a href="#">205QPC250KA3#</a>	46x24x13	A3
250	2.5	<a href="#">255QPC250KA3#</a>	46x24x13	A3
250	3	<a href="#">305QPC250KA3#</a>	46x24x13	A3
250	3.5	<a href="#">355QPC250KA3#</a>	46x24x13	A3
250	4	<a href="#">405QPC250KA3#</a>	46x24x13	A3
250	4	<a href="#">405QPC250KB5#</a>	52x26x18	B5
250	4	<a href="#">405QPC250KB5B#</a>	52x26x24	B5B
250	4.5	<a href="#">455QPC250KB5#</a>	52x26x18	B5
250	4.5	<a href="#">455QPC250KB5B#</a>	52x26x24	B5B
250	5	<a href="#">505QPC250KA3#</a>	46x24x13	A3
250	5	<a href="#">505QPC250KB5#</a>	52x26x18	B5
250	5	<a href="#">505QPC250KB5B#</a>	52x26x24	B5B
250	5	<a href="#">505QPC250KB8#</a>	53x30x22	B8
250	6	<a href="#">605QPC250KB5#</a>	52x26x18	B5
250	6	<a href="#">605QPC250KB5B#</a>	52x26x24	B5B
250	6	<a href="#">605QPC250KB8#</a>	53x30x22	B8
250	7	<a href="#">705QPC250KB5#</a>	52x26x18	B5
250	7	<a href="#">705QPC250KB5B#</a>	52x26x24	B5B
250	7	<a href="#">705QPC250KB8#</a>	53x30x22	B8
250	8	<a href="#">805QPC250KB8#</a>	53x30x22	B8
250	9	<a href="#">905QPC250KB8#</a>	53x30x22	B8
250	10	<a href="#">106QPC250KB8#</a>	53x30x22	B8
275	0.9	<a href="#">904QPC275KA3#</a>	46x24x13	A3
275	3	<a href="#">305QPC275KA3#</a>	46x24x13	A3
275	5	<a href="#">505QPC275KB8#</a>	53x30x22	B8
275	5.5	<a href="#">555QPC275KA3#</a>	52x27x18	A3
275	8	<a href="#">805QPC275KB8#</a>	53x30x22	B8
300	0.8	<a href="#">804QPC300KA3#</a>	46x24x22	A3
300	2.5	<a href="#">255QPC300KA3#</a>	46x24x22	A3
300	2.5	<a href="#">255QPC300KB5#</a>	52x26x18	B5
300	2.5	<a href="#">255QPC300KB5B#</a>	52x26x24	B5B
300	4	<a href="#">405QPC300KB8#</a>	53x30x22	B8
300	4.5	<a href="#">455QPC300KB5B#</a>	52x26x24	B5B

VAC	Capacitance (µF)	IC PART NUMBER	Dims LxHxT (mm)	Case Code
300	4.5	<a href="#">455QPC300KB5#</a>	52x26x18	B5
300	7	<a href="#">705QPC300KB8#</a>	53x30x22	B8
300	7	<a href="#">705QPC300KB8#</a>	53x30x22	B8
350	0.6	<a href="#">604QPC350KA3#</a>	46x24x13	A3
350	1.8	<a href="#">185QPC350KA3#</a>	46x24x13	A3
350	1.8	<a href="#">185QPC350KB5#</a>	52x26x18	B5
350	1.8	<a href="#">185QPC350KB5B#</a>	52x26x24	B5B
350	2.5	<a href="#">255QPC350KB5#</a>	52x26x18	B5
350	2.5	<a href="#">255QPC350KB5B#</a>	52x26x24	B5B
350	3.5	<a href="#">355QPC350KB8#</a>	53x30x22	B8
350	5.5	<a href="#">555QPC350KA3#</a>	53x30x22	A3
370	4	<a href="#">405QPC370KB8#</a>	53x30x22	B8
370	5	<a href="#">505QPC370KB8#</a>	53x30x22	B8
370	6	<a href="#">605QPC370KB8#</a>	53x30x22	B8
400	0.5	<a href="#">504QPC400KA3#</a>	46x24x13	A3
400	1	<a href="#">105QPC400KB5#</a>	52x26x18	B5
400	1	<a href="#">105QPC400KB5B#</a>	52x26x24	B5B
400	1.2	<a href="#">125QPC400KA3#</a>	46x24x13	A3
400	1.5	<a href="#">155QPC400KB5#</a>	52x26x18	B5
400	1.5	<a href="#">155QPC400KB5B#</a>	52x26x24	B5B
400	2	<a href="#">205QPC400KB5#</a>	52x26x18	B5
400	2	<a href="#">205QPC400KB5B#</a>	52x26x24	B5B
400	2.5	<a href="#">255QPC400KB5#</a>	52x26x18	B5
400	2.5	<a href="#">255QPC400KB5B#</a>	52x26x24	B5B
400	2.7	<a href="#">275QPC400KB5#</a>	52x26x18	B5
400	2.7	<a href="#">275QPC400KB5B#</a>	52x26x24	B5B
400	3	<a href="#">305QPC400KB8#</a>	53x30x22	B8
400	4	<a href="#">405QPC400KB8#</a>	53x30x22	B8
450	0.4	<a href="#">404QPC450KA3#</a>	46x24x13	A3
450	1	<a href="#">105QPC450KA3#</a>	46x24x13	A3
450	1	<a href="#">105QPC450KB5#</a>	52x26x18	B5
450	1	<a href="#">105QPC450KB5B#</a>	52x26x24	B5B
450	2	<a href="#">205QPC450KB5#</a>	52x26x18	B5
450	2	<a href="#">205QPC450KB5B#</a>	52x26x24	B5B
450	3.3	<a href="#">335QPC450KB8#</a>	53x30x22	B8