

4

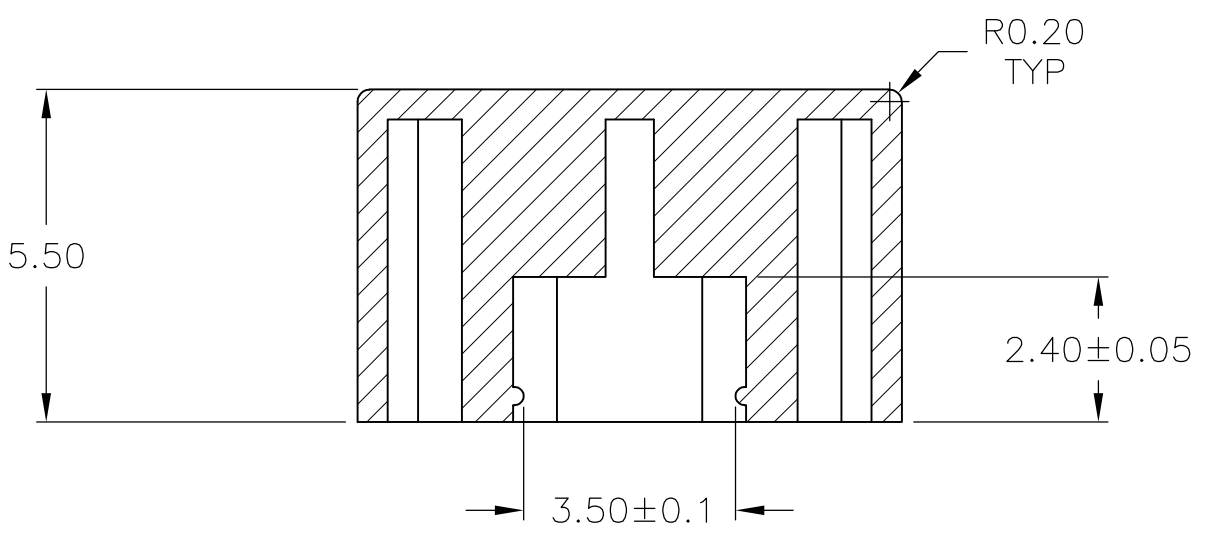
3

2

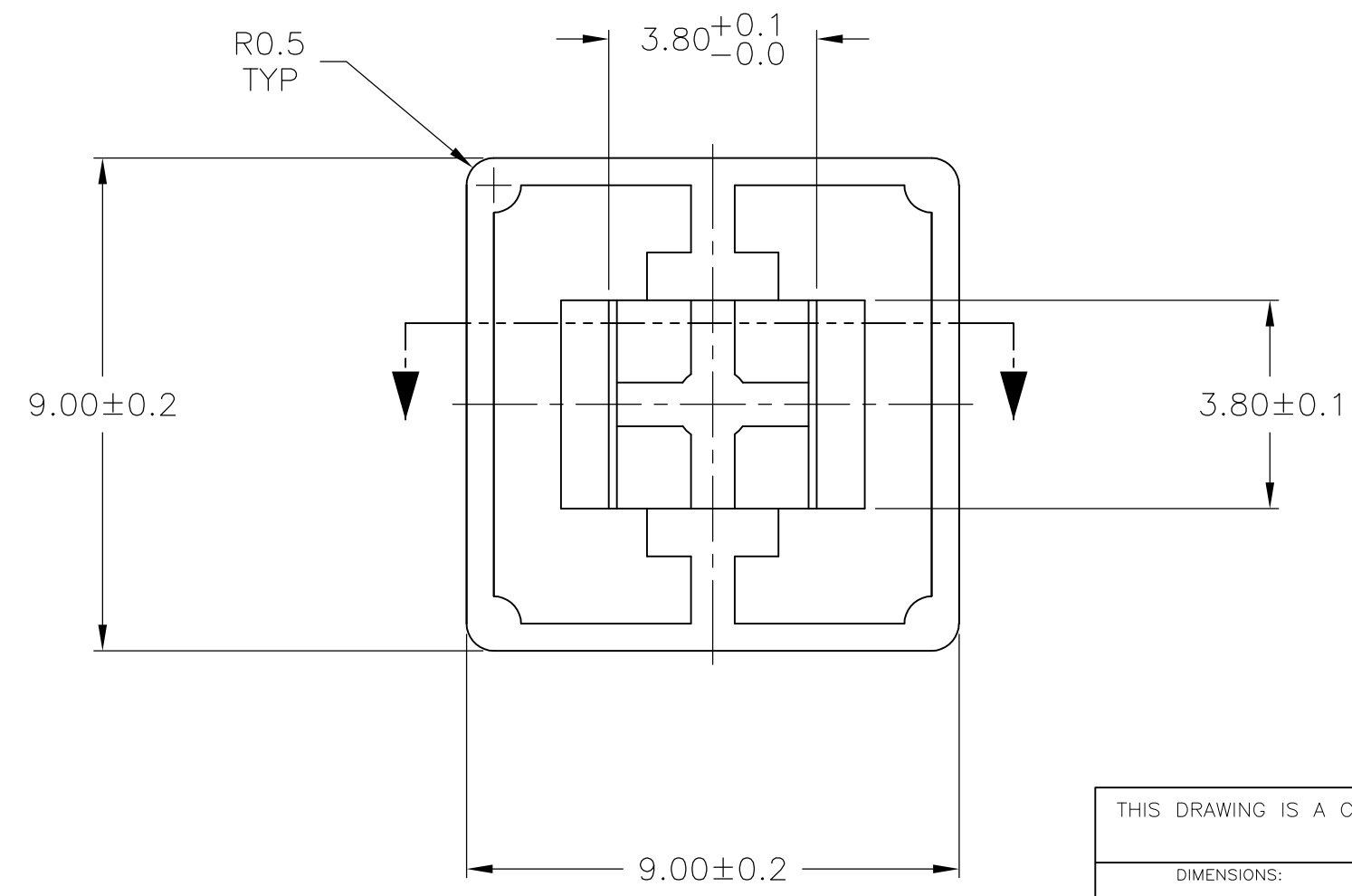
1

THIS DRAWING IS UNPUBLISHED.      RELEASED FOR PUBLICATION  
 © COPYRIGHT - By -      ALL RIGHTS RESERVED.

LOC	DIST	REVISIONS			
P	LTR	DESCRIPTION	DATE	DWN	APVD
AD	00	F3	REVISED PER ECO-12-022192	28DEC12	HMR PO



- 1 KEYCAP MUST WITHSTAND WAVE SOLDER PREHEAT TEMPERATURES OF 180°F.
- 2 OBSOLETE PARTS: OBSOLETE CIS STREAMLINING PER D.RENAUD/D.SINISI



COLOR	PART NUMBER
YELLOW	1571384-7
RED	<del>1571384-6</del>
VIOLET	1571384-5
BLACK	1571384-4
BLUE	1571384-3
ORANGE	1571384-2
GREEN	1571384-1

THIS DRAWING IS A CONTROLLED DOCUMENT.		DWN R BROWN 29SEP03	<b>STE</b> TE Connectivity	
DIMENSIONS: mm		CHK M SARVER 29SEP03		
TOLERANCES UNLESS OTHERWISE SPECIFIED:		APVD M SARVER 29SEP03	NAME	
0 PLC ± -		PRODUCT SPEC	KEY CAP	
1 PLC ± -		APPLICATION SPEC	RESTRICTED TO	
2 PLC ± 0.30		WEIGHT -	SIZE A3	CAGE CODE 00779
3 PLC ± -		CUSTOMER DRAWING	DRAWING NO C-1571384	SCALE 8:1
4 PLC ± -			SHEET 1 OF 1	REV F3
ANGLES ± -				
MATERIAL ABS	FINISH -			