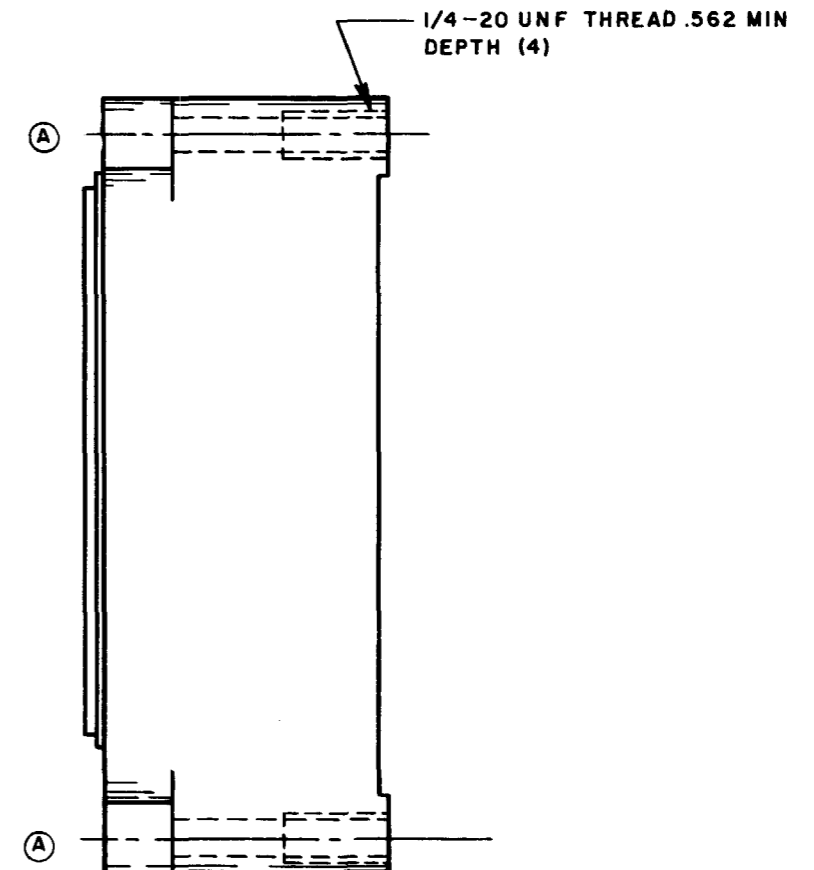
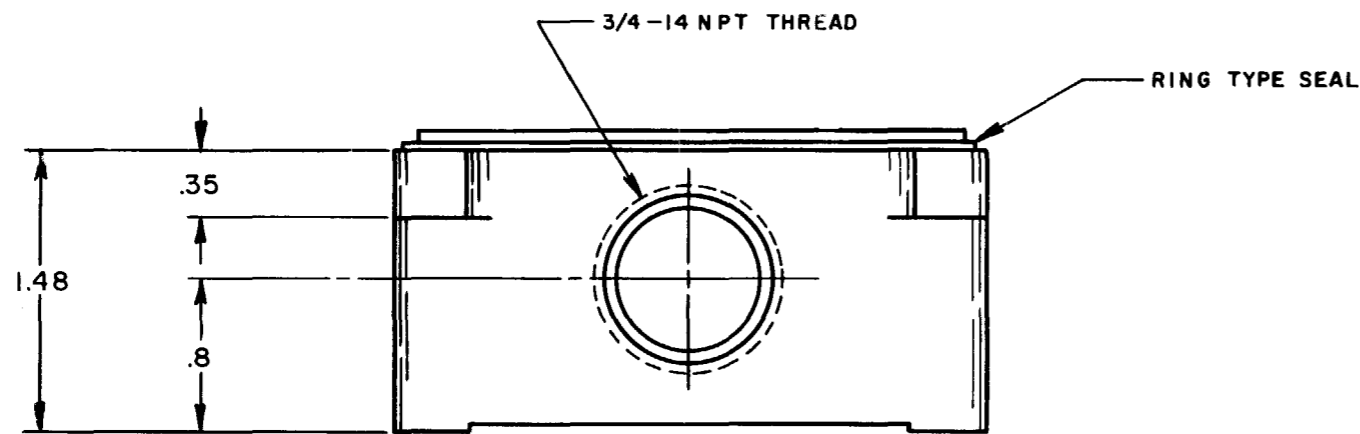
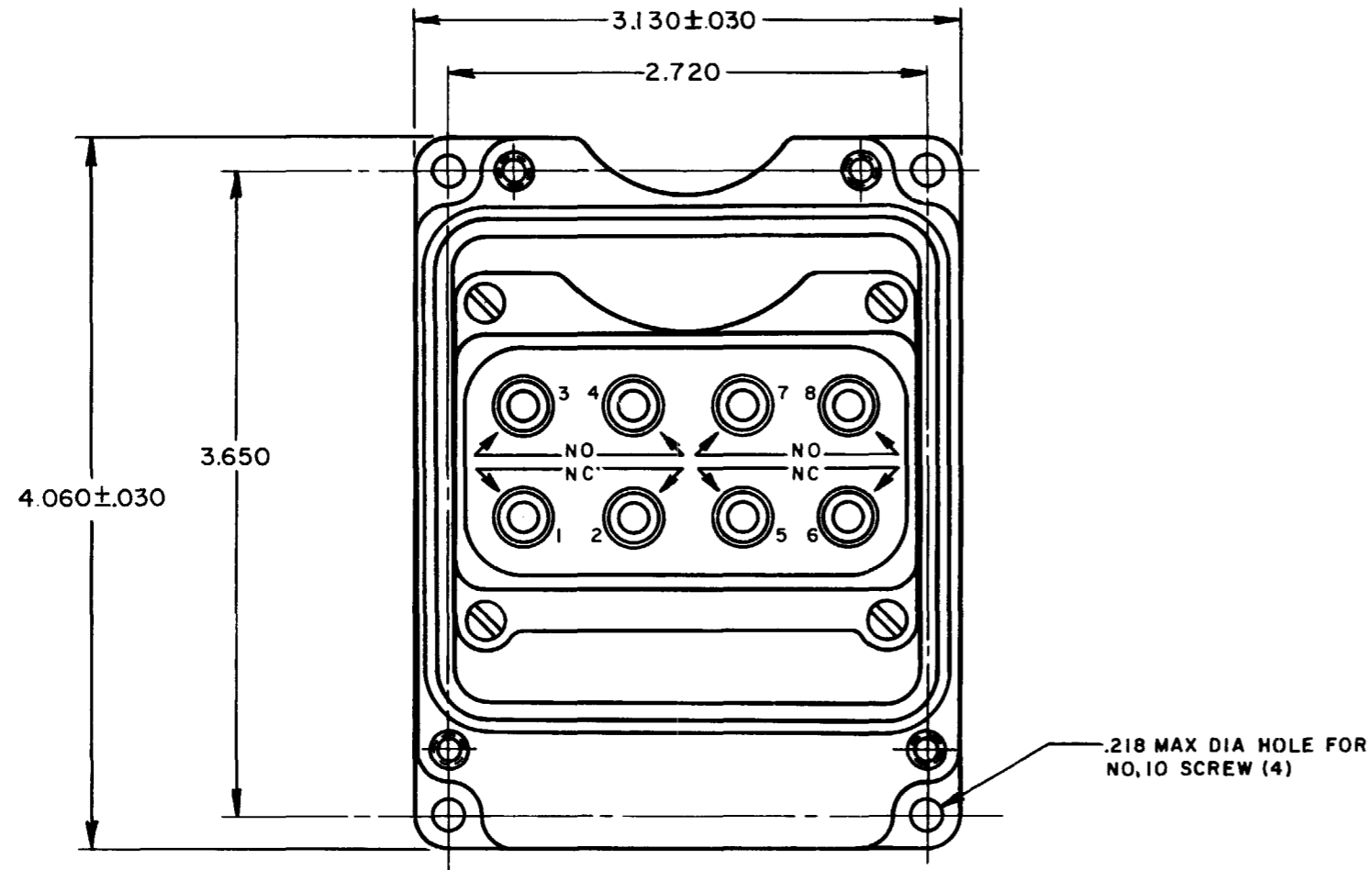


MICRO SWITCH
A DIVISION OF MINNEAPOLIS-HONEYWELL REGULATOR COMPANY
 FREEPORT, ILLINOIS

**TERMINAL BLOCK-
 ENCLOSED**

CATALOG LISTING
18PA3

FORMTEK DRAWN
 K A F 6 JUNE 59 CHECK GCH
 JUNE 59 CHECK JWM
 9 JUNE 59 CHECK JWM
 10 MAY 95 JAK
 10 MAY 95
 B C080837
 M B F 20 JAN 60
 A C014341
 REVISIONS
 ISSUE X 3
 DRAWING NUMBER M 18PA3
 RELEASE NO. SR 8252
 REPLACES 18PA3



NOTE -

- 1 - ALUMINUM HOUSING FINISHED IN BLUE PAINT
- 2 - TERMINAL BLOCK IS REMOVABLE FOR WIRING, 8-32 NC TERMINAL SCREWS AND LOCKWASHER (SEMS) (8), LUGS INCLUDED FOR TERMINATION WITH STRIPPED BARE WIRE (8)

THIS DRAWING COVERS A PROPRIETARY ITEM AND IS THE PROPERTY OF MICRO SWITCH, A DIVISION OF MINNEAPOLIS-HONEYWELL REGULATOR CO. THIS DRAWING IS NOT TO BE COPIED OR USED WITHOUT THE APPROVAL OF MICRO SWITCH.

CHARACTERISTICS	ELECTRICAL DATA		SCALE - FULL
	CONTACT ARRANGEMENT	BREAK DISTANCE	DO NOT SCALE PRINT
			UNLESS OTHERWISE SPECIFIED DIMENSIONS ARE IN INCHES
			TOLERANCES ARE:
			ONE PLACE (.0) ±.030
			TWO PLACE (.00) ±.015
			THREE PLACE (.000) ±.005
			ANGLES ±
			WEIGHT