

TECHNICAL CHARACTERISTICS

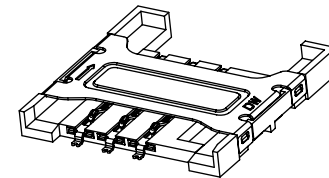
MATERIAL
INSULATOR: LCP
FLAMABILITY RATING: UL94-V0
COLOR: BLACK
CONTACT MATERIAL: COPPER ALLOY
CONTACT TYPE: STAMPED
CONTACT PLATING: SELECTIVE GOLD
SHIELDING: STAINLESS STEEL
QUALITY CLASS: 5000 MATING CYCLES

ENVIRONMENTAL
OPERATING TEMPERATURE: -25 UP TO 85°C
COMPLIANCE: LEAD FREE AND ROHS

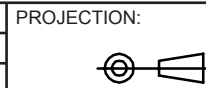
ELECTRICAL
CURRENT RATING: 0.5A
WORKING VOLTAGE: 50VAC
INSULATOR RESISTANCE: >500 MOHM
DIELECTRIC WITHSTANDING VOLTAGE: 500VAC/MN
CONTACT RESISTANCE: 50 mOHM MAX

SOLDERING
REFLOW PROCESS ONLY

PACKAGING
TAPE & REEL



RoHS Compliant			
B	10-JAN-12	DRAWING & TKP	GG
A	31-AUG-11	PDF	GG
REV	DATE	FILE	BY



GENERAL TOLERANCE
.X = +/- 0.2
.XX = +/- 0.15



APPROVAL: RJ

UNIT: MM

DESCRIPTION: SIM Card Connector - Header Shielded - 6 pins

SIZE

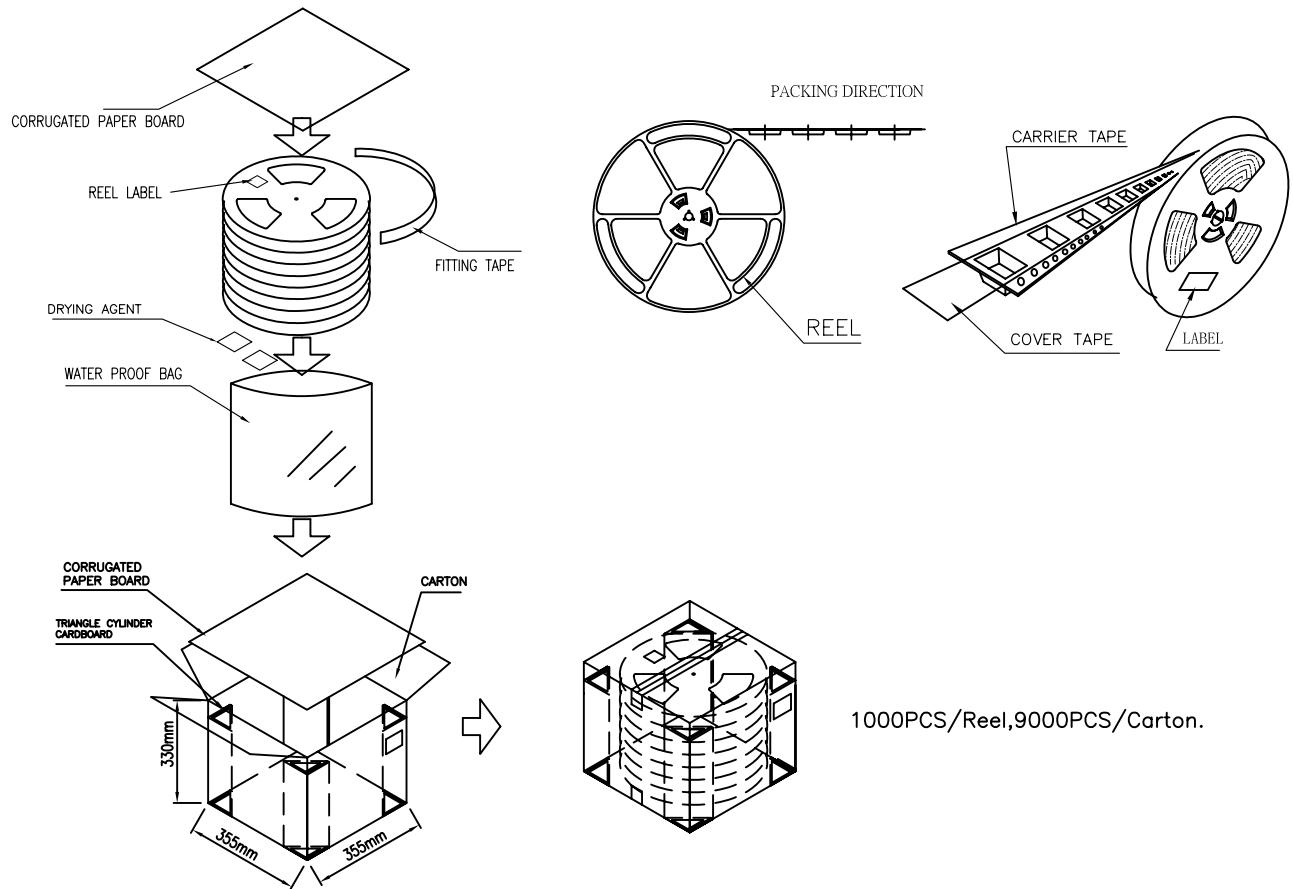
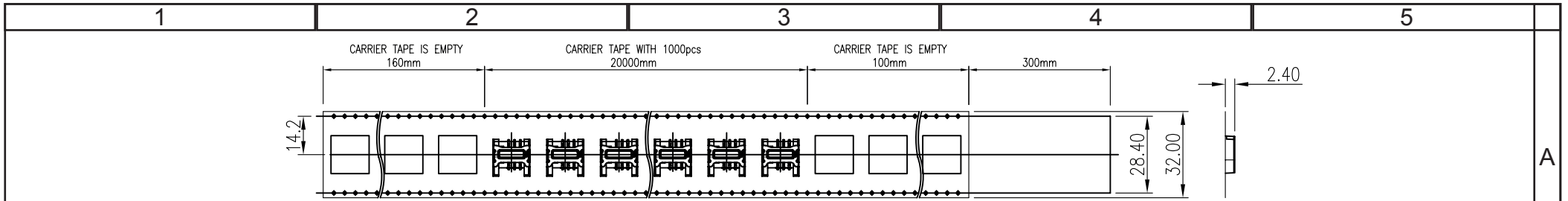
SCALE:

WERI PART NO: 693 010 020 611

A4

SHEET: 1/2

DRAW: VICKY



RoHS Compliant			
REV	DATE	FILE	BY

PROJECTION:

APPROVAL: RJ

GENERAL TOLERANCE
 .X = +/- 0.2
 .XX = +/- 0.15

UNIT: MM
 SCALE:
 SHEET: 2/2
 DRAW: VICKY

DESCRIPTION: SIM Card Connector - Header Shielded - 6 pins

WERI PART NO: 693 010 020 611

SIZE
A4