

MCR-S10-50-UI-SW-DCI-NC

Order No.: 2814744

The illustration shows version MCR-S-10-50-UI-DCI



<http://eshop.phoenixcontact.de/phoenix/treeViewClick.do?UID=2814744>

MCR current measuring transducer, programmable and configurable, for measuring direct, alternating and distorted currents, with relay and transistor output, input current 0...10 to 0...50 A, unconfigured

Commercial data	
EAN	4017918169299
Pack	1 pcs.
Customs tariff	85437090
Weight/Piece	0.1937 KG
Catalog page information	Page 391 (IF-2009)

Product notes

WEEE/RoHS-compliant since:
11/17/2006



<http://www.download.phoenixcontact.com>
Please note that the data given here has been taken from the online catalog. For comprehensive information and data, please refer to the user documentation. The General Terms and Conditions of Use apply to Internet downloads.

Technical data

Input data	
Input	Current measuring input
Configurable/programmable	Yes, unconfigured
Input current range	0 A ... 55 A (AC/DC)
Operate threshold	0.8 % (of measuring range nominal value 50 A)

Setting range for min. input current	0 A ... 9.5 A
Setting range for max. input current	0 A ... 55 A
Impulse form	AC, DC or distorted currents
Overload capacity	Depending on through connected conductor
Surge strength	Depending on through connected conductor
Frequency measuring range	15 Hz ... 400 Hz
Type of connection	Through connection, diameter 10.5 mm

Output data

Output name	Voltage output / current output
Configurable/programmable	Yes, unconfigured
Voltage output signal	0 V ... 10 V
	2 V ... 10 V
	-10 V ... 10 V
	0 V ... 5 V
	1 V ... 5 V
	-5 V ... 5 V
	10 V ... 0 V
	10 V ... 2 V
	10 V ... -10 V
	5 V ... 0 V
	5 V ... 1 V
	5 V ... -5 V
Current output signal	0 mA ... 20 mA
	4 mA ... 20 mA
	20 mA ... 0 mA
	20 mA ... 4 mA
Load/output load voltage output	> 10 k Ω
Load/output load current output	< 500 Ω

Switching output

Output name	Relay output
Contact type	1 PDT
Contact material	AgSnO, hard gold-plated

Maximum switching voltage	30 V AC
	36 V DC
	250 V AC (when the gold layer is destroyed)
Limiting continuous current	50 mA
	2 A (when the gold layer is destroyed)

Power supply

Range of supply voltages	20 V DC ... 30 V DC
Max. current consumption	< 50 mA (without load)

Connection data

Type of connection	Screw connection
Conductor cross section solid min.	0.2 mm ²
Conductor cross section solid max.	2.5 mm ²
Conductor cross section stranded min.	0.2 mm ²
Conductor cross section stranded max.	2.5 mm ²
Conductor cross section AWG/kcmil min.	24
Conductor cross section AWG/kcmil max	14
Stripping length	8 mm
Screw thread	M3

General data

Width	22.5 mm
Height	99 mm
Depth	114.5 mm
Transmission error, max.	< 0.5 % (of range nominal value under nominal conditions)
Temperature coefficient, typical	< 0.025 %/K
Step response (10-90%)	330 ms (with AC)
	40 ms (with DC)
Status display	LED green
Ambient temperature (operation)	-20 °C ... 60 °C
Ambient temperature (storage/transport)	-40 °C ... 85 °C
Degree of protection	IP20
Pollution degree	2
Surge voltage category	III
Color	green
Housing material	Polyamide PA non-reinforced

Mounting position	Any
Conformity	CE compliant
UL, USA / Canada	Class I, Zone 2, AEx nC IIC T6, Ex nC IIC T6

Certificates / Approvals



Certification	CUL, GOST, UL
Certification Ex:	CUL-EX LIS, UL-EX LIS

Accessories

Item	Designation	Description
------	-------------	-------------

Cable/conductor

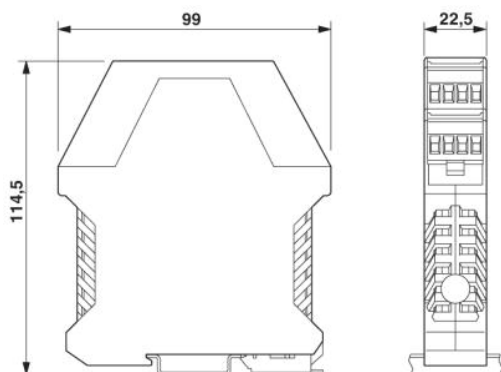
2881078	CM-KBL-RS232/USB	Connecting cable D-9-SUB to USB, with adapter D-9-SUB to D-25-SUB.
2814388	MCR-TTL-RS232-E	Software adapter cable (Stereo jack connector/SUB-D 25-pos.), 1.2 m length, for programming MCR-T-..., MCR-S-... and MCR-f-... modules

General

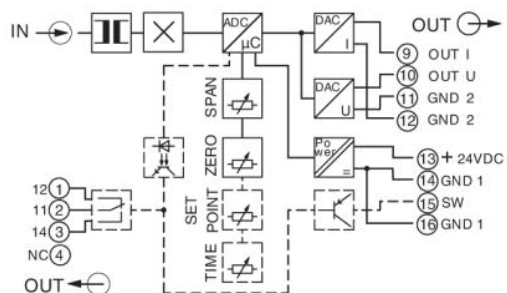
2814799	MCR/PI-CONF-WIN	PI/MCR configuration software, for programming the PI/Ex-RTD..., PI/Ex-THC..., MCR-T-..., MCR-PSP-..., MCR-f... and MCR-s...modules
---------	-----------------	---

Diagrams/Drawings

Dimensioned drawing



Circuit diagram



Approbationslogos (EX-Bereich)



Address

PHOENIX CONTACT Inc., USA
586 Fulling Mill Road
Middletown, PA 17057, USA
Phone (800) 888-7388
Fax (717) 944-1625
<http://www.phoenixcon.com>



© 2010 Phoenix Contact
Technical modifications reserved;