

## FEATURES

5 kV rms/3 kV rms signal and power isolated CAN transceivers

*isoPower* integrated isolated dc-to-dc converter

V<sub>IO</sub> pin for 1.7 V to 5.5 V logic levels

ISO 11898-2:2016 compliant (CAN FD)

Data rates up to 12 Mbps for CAN FD

Low maximum loop propagation delay: 150 ns

Extended common-mode range: ±25 V

Bus fault protection: ±40 V on CANH and CANL pins

Low power standby support remote wake request

Extra isolated signal for control (such as termination switches)

Passes EN 55022 Class B by 6 dB

Slope control for reduced EMI

**Safety and regulatory approvals (ADM3055E)**

VDE certificate of conformity, VDE V 0884-10 (pending)

V<sub>IORM</sub> = 849 V<sub>PEAK</sub>

UL: 5000 V rms for 1 minute per UL 1577 (pending)

CSA Component Acceptance Notice 5A (pending)

IEC 60950-1, IEC 61010-1

Creepage and clearance

ADM3055E: 8.3 mm minimum with 20-lead SOIC\_IC

ADM3057E: 7.8 mm minimum with 20-lead SOIC\_W

High common-mode transient immunity: >75 kV/μs

Industrial operating temperature range: -40°C to +105°C

## APPLICATIONS

CANOpen, DeviceNet, and other CAN bus implementations

Industrial automation

Process control and building control

Transport and infrastructure

## GENERAL DESCRIPTION

The ADM3055E/ADM3057E are 5 kV rms and 3 kV rms isolated controller area network (CAN) physical layer transceivers with integrated isolated dc-to-dc converters. The ADM3055E/ADM3057E meet flexible data rate (CAN FD) requirements for operation to 5 Mbps and higher and comply with the ISO 11898-2:2016 standard. The ADM3055E/ADM3057E are capable of supporting data rates as high as 12 Mbps.

The devices employ Analog Devices, Inc., *iCoupler*® technology to combine a 3-channel isolator, a CAN transceiver, and an Analog Devices *isoPower*® dc-to-dc converter into a single, surface-mount, small outline integrated circuit (SOIC) package. The devices are powered by a single 5 V supply, realizing a fully isolated solution for CAN and CAN FD. Radiated emissions from the high frequency switching of the dc-to-dc converters are kept below EN 55022 Class B limits by continuous adjustments to the switching frequency.

Rev. B

[Document Feedback](#)

Information furnished by Analog Devices is believed to be accurate and reliable. However, no responsibility is assumed by Analog Devices for its use, nor for any infringements of patents or other rights of third parties that may result from its use. Specifications subject to change without notice. No license is granted by implication or otherwise under any patent or patent rights of Analog Devices. Trademarks and registered trademarks are the property of their respective owners.

## FUNCTIONAL BLOCK DIAGRAM

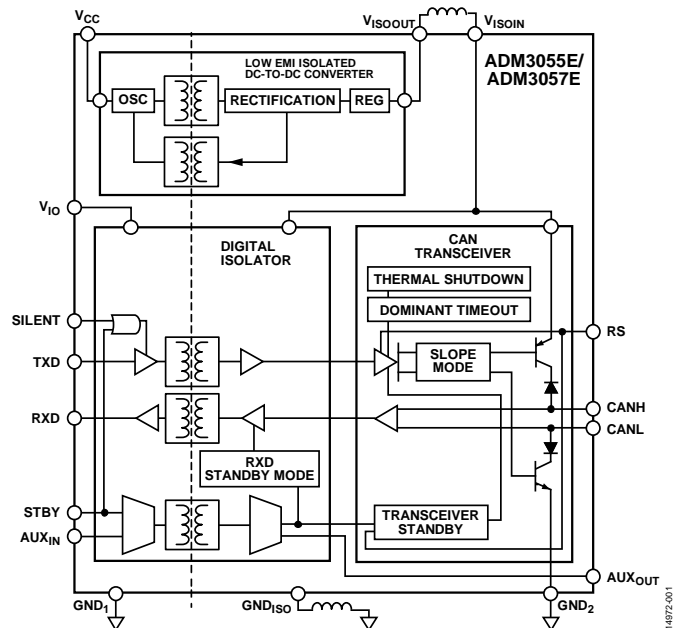


Figure 1.

The ADM3055E/ADM3057E provide complete isolation between the CAN controller and physical layer bus. Safety and regulatory approvals (pending) for 5 kV rms isolation voltage, 10 kV surge test, and 8.3 mm creepage and clearance ensure the ADM3055E meets application reinforced isolation requirements. The ADM3057E has an isolation voltage of 3 kV rms and 7.8 mm creepage in a 20-lead, wide body SOIC.

Low propagation delays through the isolation support longer bus cables. Slope control mode is available for standard CAN at low data rates. Standby mode minimizes power consumption when the bus is idle or if the node goes offline. Silent mode allows the TXD input to be ignored for listen only mode.

Dominant timeout functionality protects against bus lock up in a fault condition. The current limiting and thermal shutdown features protect against output short circuits. The devices are fully specified over an industrial temperature range of -40°C to +105°C.

**TABLE OF CONTENTS**

Features ..... 1

Applications..... 1

General Description ..... 1

Functional Block Diagram ..... 1

Revision History ..... 2

Specifications..... 3

    Timing Specifications ..... 5

    Insulation and Safety Related Specifications ..... 7

    Package Characteristics ..... 7

    Regulatory Information ..... 8

    DIN V VDE V 0884-10 (VDE V 0884-10) Insulation Characteristics ..... 9

Absolute Maximum Ratings..... 11

    Thermal Resistance ..... 11

    ESD Caution..... 11

Pin Configuration and Function Descriptions..... 12

    Operational Truth Table ..... 13

Typical Performance Characteristics ..... 14

Test Circuits..... 18

Terminology ..... 19

**REVISION HISTORY**

**9/2019—Rev. A to Rev. B**

Changes to Figure 33 ..... 22

**11/2018—Rev. 0 to Rev. A**

Added ADM3057E and 20-Lead SOIC\_W ..... Universal

Changes to Features Section and General Description Section..... 1

Changes to Table 2..... 5

Added Figure 5; Renumbered Sequentially ..... 6

Changes to Table 3..... 7

Added ADM3055E Section ..... 8

Theory of Operation ..... 20

    CAN Transceiver Operation ..... 20

    Signal and Power Isolation..... 20

    Standby Mode ..... 20

    Remote Wake Up..... 20

    Silent Mode ..... 20

    RS Pin..... 21

    Auxiliary Channel ..... 21

    Integrated and Certified IEC EMC Solution ..... 21

    Fault Protection ..... 21

    Fail-Safe Features..... 21

    Thermal Shutdown ..... 21

Applications Information ..... 22

    PCB Layout ..... 22

    Radiated Emissions and PCB Layout ..... 22

    Thermal Analysis ..... 22

    Insulation Lifetime ..... 22

Outline Dimensions ..... 24

    Ordering Guide ..... 24

Changes to Table 5.....8

Added ADM3057E Section and Table 6; Renumbered Sequentially .....9

Changes to Table 7.....9

Added Table 8 and Figure 7 ..... 10

Changes to Table 10 and Table 11 ..... 11

Changes to Table 12 ..... 12

Changes to Table 13 ..... 13

**8/2018—Revision 0: Initial Version**

## SPECIFICATIONS

All voltages are relative to their respective ground.  $4.5\text{ V} \leq V_{CC} \leq 5.5\text{ V}$ ,  $1.7\text{ V} \leq V_{IO} \leq 5.5\text{ V}$ ,  $T_{MIN}$  to  $T_{MAX}$ , and STBY low, unless otherwise noted. Typical specifications are at  $V_{CC} = V_{IO} = 5\text{ V}$  and  $T_A = 25^\circ\text{C}$ , unless otherwise noted.

Table 1.

| Parameter   | Symbol                     | Min                  | Typ  | Max                  | Unit | Test Conditions/Comments  |
|---|----------------------------|----------------------|------|----------------------|------|---|
| <b>SUPPLY CURRENT</b>                                 |                            |                      |      |                      |      |   |
| Logic Side <i>iso</i> Power Current Standby           | $I_{CC}$                   |                      | 13.5 | 30                   | mA   | STBY high, AUX <sub>IN</sub> low, load resistance ( $R_L$ ) = 60 $\Omega$ |
| Recessive State (or Silent)                           |                            |                      | 27   | 40                   | mA   | TXD and/or SILENT high, $R_L = 60\ \Omega$                                |
| Dominant State  |                            |                      | 180  | 260                  | mA   | Fault condition, see the Theory of Operation section, $R_L = 60\ \Omega$  |
| 70% Dominant/30% Recessive                            |                            |                      |      |                      |      | Worst case, see the Theory of Operation section, $R_L = 60\ \Omega$       |
| 1 Mbps  |                            |                      | 138  |                      | mA   |   |
| 5 Mbps  |                            |                      | 151  | 200                  | mA   |   |
| 12 Mbps   |                            |                      | 177  | 220                  | mA   |   |
| Switching Frequency                                   | $f_{OSC}$                  |                      | 180  |                      | MHz  | Frequency hopping center  |
| Logic Side <i>i</i> Coupler Current                   | $I_{IO}$                   |                      |      |                      |      |   |
| Normal Mode   |                            |                      | 3.6  | 5                    | mA   | TXD high, low or switching, AUX <sub>IN</sub> low                         |
| Standby Mode  |                            |                      | 1.2  | 2                    | mA   | STBY high   |
| <b>DRIVER</b>   |                            |                      |      |                      |      |   |
| Differential Outputs                                  |                            |                      |      |                      |      | See Figure 28   |
| Recessive State, Normal Mode                          |                            |                      |      |                      |      | TXD high, $R_L$ and common-mode filter capacitor ( $C_F$ ) open           |
| CANH, CANL Voltage                                    | $V_{CANL}$ ,<br>$V_{CANH}$ | 2.0                  |      | 3.0                  | V    |   |
| Differential Output Voltage                           | $V_{OD}$                   | -500                 |      | +50                  | mV   |   |
| Dominant State, Normal Mode                           |                            |                      |      |                      |      | TXD and SILENT low, $C_F$ open  |
| CANH Voltage  | $V_{CANH}$                 | 2.75                 |      | 4.5                  | V    | $50\ \Omega \leq R_L \leq 65\ \Omega$                                     |
| CANL Voltage  | $V_{CANL}$                 | 0.5                  |      | 2.0                  | V    | $50\ \Omega \leq R_L \leq 65\ \Omega$                                     |
| Differential Output Voltage                           | $V_{OD}$                   | 1.5                  |      | 3.0                  | V    | $50\ \Omega \leq R_L \leq 65\ \Omega$                                     |
|   |                            | 1.4                  |      | 3.3                  | V    | $45\ \Omega \leq R_L \leq 70\ \Omega$                                     |
|   |                            | 1.5                  |      | 5.0                  | V    | $R_L = 2240\ \Omega$  |
| Standby Mode  |                            |                      |      |                      |      | STBY high, $R_L$ and $C_F$ open   |
| CANH, CANL Voltage                                    | $V_{CANL}$ ,<br>$V_{CANH}$ | -0.1                 |      | +0.1                 | V    |   |
| Differential Output Voltage                           | $V_{OD}$                   | -200                 |      | +200                 | mV   |   |
| Output Symmetry ( $V_{ISOIN} - V_{CANH} - V_{CANL}$ ) | $V_{SYM}$                  | -0.55                |      | +0.55                | V    | $R_L = 60\ \Omega$ , $C_F = 4.7\text{ nF}$ , RS low                       |
| Short-Circuit Current                                 | $ I_{SC} $                 |                      |      |                      |      | $R_L$ open  |
| Absolute  |                            |                      |      |                      |      |   |
| CANH  |                            |                      |      | 115                  | mA   | $V_{CANH} = -3\text{ V}$  |
| CANL  |                            |                      |      | 115                  | mA   | $V_{CANL} = 18\text{ V}$  |
| Steady State  |                            |                      |      |                      |      |   |
| CANH  |                            |                      |      | 115                  | mA   | $V_{CANH} = -24\text{ V}$   |
| CANL  |                            |                      |      | 115                  | mA   | $V_{CANL} = 24\text{ V}$  |
| Logic Inputs (TXD, SILENT, STBY, AUX <sub>IN</sub> )  |                            |                      |      |                      |      |   |
| Input Voltage   |                            |                      |      |                      |      |   |
| High  | $V_{IH}$                   | $0.65 \times V_{IO}$ |      |                      | V    |   |
| Low   | $V_{IL}$                   |                      |      | $0.35 \times V_{IO}$ | V    |   |

| Parameter   | Symbol               | Min            | Typ | Max   | Unit              | Test Conditions/Comments  |
|---|----------------------|----------------|-----|-------|-------------------|---|
| Complementary Metal-Oxide Semiconductor (CMOS) Logic Input Currents | $ I_{IH} ,  I_{IL} $ |                |     | 10    | $\mu\text{A}$     | Input high or low   |
| <b>RECEIVER</b>   |                      |                |     |       |                   |   |
| Differential Inputs   |                      |                |     |       |                   |   |
| Differential Input Voltage Range                                    | $V_{ID}$             |                |     |       |                   | See Figure 29, $C_{RXD}$ open, $-25\text{ V} < V_{CANL}, V_{CANH} < +25\text{ V}$   |
| Recessive   |                      | -1.0           |     | +0.5  | V                 |   |
|   |                      | -1.0           |     | +0.4  | V                 | STBY high   |
| Dominant  |                      | 0.9            |     | 5.0   | V                 |   |
|   |                      | 1.15           |     | 5.0   | V                 | STBY high   |
| Input Voltage Hysteresis  | $V_{HYS}$            |                | 150 |       | mV                |   |
| Unpowered Input Leakage Current                                     | $ I_{IN(OFF)} $      |                |     | 10    | $\mu\text{A}$     | $V_{CANH}, V_{CANL} = 5\text{ V}, V_{CC} = 0\text{ V}$  |
| Input Resistance  |                      |                |     |       |                   |   |
| CANH, CANL  | $R_{INH}, R_{INL}$   | 6              |     | 25    | $\text{k}\Omega$  |   |
| Differential  | $R_{DIFF}$           | 20             |     | 100   | $\text{k}\Omega$  |   |
| Matching  | $m_R$                | -0.03          |     | +0.03 | $\Omega/\Omega$   | $m_R = 2 \times (R_{INH} - R_{INL}) / (R_{INH} + R_{INL})$  |
| Input Capacitance   |                      |                |     |       |                   |   |
| CANH, CANL  | $C_{INH}, C_{INL}$   |                | 35  |       | pF                |   |
| Differential  | $C_{DIFF}$           |                | 12  |       | pF                |   |
| Logic Outputs (RXD, AUX <sub>OUT</sub> )                            |                      |                |     |       |                   |   |
| Output Voltage  |                      |                |     |       |                   |   |
| Low   | $V_{OL}$             |                | 0.2 | 0.4   | V                 | Output current ( $I_{OUT}$ ) = 2 mA   |
| High  | $V_{OH}$             |                |     |       | V                 |   |
| RXD   |                      | $V_{IO} - 0.2$ |     |       | V                 | $I_{OUT} = -2\text{ mA}$  |
| AUX <sub>OUT</sub>  |                      | +2.4           |     |       | V                 | $I_{OUT} = -2\text{ mA}$  |
| Short-Circuit Current   | $I_{OS}$             |                |     |       |                   |   |
| RXD   |                      | 7              |     | 85    | mA                | Output voltage ( $V_{OUT}$ ) = GND <sub>1</sub> or $V_{IO}$   |
| <b>COMMON-MODE TRANSIENT IMMUNITY<sup>1</sup></b>                   |                      |                |     |       |                   |   |
| Input High, Recessive   | $ CM_H $             | 75             | 100 |       | kV/ $\mu\text{s}$ | Common-mode voltage ( $V_{CM}$ ) $\geq 1\text{ kV}$ , transient magnitude $\geq 800\text{ V}$<br>$V_{IN} = V_{IO}$ (AUX <sub>IN</sub> , TXD) or CANH/CANL recessive |
| Input Low, Dominant   | $ CM_L $             | 75             | 100 |       | kV/ $\mu\text{s}$ | $V_{IN} = 0\text{ V}$ (AUX <sub>IN</sub> , TXD) or CANH/CANL dominant   |
| <b>SLOPE CONTROL</b>  |                      |                |     |       |                   |   |
| Input Voltage for Standby Mode                                      | $V_{STB}$            | 4.0            |     |       | V                 |   |
| Current for Slope Control Mode                                      | $I_{SLOPE}$          |                |     | -240  | $\mu\text{A}$     | RS voltage ( $V_{RS}$ ) = 0 V   |
| Slope Control Mode Voltage  | $V_{SLOPE}$          | 2.1            |     |       | V                 | RS current ( $I_{RS}$ ) = 10 $\mu\text{A}$  |
| Input Voltage for High Speed Mode                                   | $V_{HS}$             |                |     | 1     | V                 |   |

<sup>1</sup>  $|CM_H|$  is the maximum common-mode voltage slew rate that can be sustained while maintaining  $AUX_{OUT} \geq 2.4\text{ V}$ , CANH/CANL recessive, or  $RXD \geq V_{IO} - 0.2\text{ V}$ .  $|CM_L|$  is the maximum common-mode voltage slew rate that can be sustained while maintaining  $AUX_{OUT} \leq 0.4\text{ V}$ , CANH/CANL dominant, or  $RXD \leq 0.4\text{ V}$ . The common-mode voltage slew rates apply to both rising and falling common-mode voltage edges.

**TIMING SPECIFICATIONS**

All voltages are relative to their respective ground.  $4.5\text{ V} \leq V_{CC} \leq 5.5\text{ V}$ ,  $1.7\text{ V} \leq V_{IO} \leq 5.5\text{ V}$ ,  $T_{MIN}$  to  $T_{MAX}$ , and STBY low, unless otherwise noted. Typical specifications are at  $V_{CC} = V_{IO} = 5\text{ V}$  and  $T_A = 25^\circ\text{C}$ , unless otherwise noted.

**Table 2.**

| Parameter   | Symbol            | Min  | Typ | Max  | Unit             | Test Conditions/Comments   |
|---|-------------------|------|-----|------|------------------|--|
| <b>DRIVER</b>   |                   |      |     |      |                  |  |
| Maximum Data Rate   |                   | 12   |     |      | Mbps             | SILENT low, bit time on the TXD pin as transmitted by the CAN controller ( $t_{BIT\_TXD} = 200\text{ ns}$ , see Figure 2 and Figure 30, slope resistance ( $R_{SLOPE} = 0\ \Omega$ , $R_L = 60\ \Omega$ , load capacitance ( $C_L = 100\text{ pF}$ |
| Propagation Delay from TXD to Bus (Recessive to Dominant) | $t_{TXD\_DOM}$    |      | 35  | 60   | ns               |  |
| Propagation Delay from TXD to Bus (Dominant to Recessive) | $t_{TXD\_REC}$    |      | 46  | 70   | ns               |  |
| Transmit Dominant Timeout                                 | $t_{DT}$          | 1175 |     | 4000 | $\mu\text{s}$    | TXD low, see Figure 5  |
| <b>RECEIVER</b>   |                   |      |     |      |                  |  |
| Falling Edge Loop Propagation Delay (TXD to RXD)          | $t_{LOOP\_FALL}$  |      |     |      |                  | SILENT low, see Figure 2 and Figure 30, $R_L = 60\ \Omega$ , $C_L = 100\text{ pF}$ , RXD capacitance ( $C_{RXD} = 15\text{ pF}$  |
| Full Speed Mode   |                   |      |     | 150  | ns               | $R_{SLOPE} = 0\ \Omega$ , $t_{BIT\_TXD} = 200\text{ ns}$   |
| Slope Control Mode  |                   |      |     | 300  | ns               | $R_{SLOPE} = 47\text{ k}\Omega$ , $t_{BIT\_TXD} = 1\ \mu\text{s}$  |
| Rising Edge Loop Propagation Delay (TXD to RXD)           | $t_{LOOP\_RISE}$  |      |     |      |                  |  |
| Full Speed Mode   |                   |      |     | 150  | ns               | $R_{SLOPE} = 0\ \Omega$ , $t_{BIT\_TXD} = 200\text{ ns}$   |
| Slope Control Mode  |                   |      |     | 300  | ns               | $R_{SLOPE} = 47\text{ k}\Omega$ , $t_{BIT\_TXD} = 1\ \mu\text{s}$  |
| Loop Delay Symmetry (Minimum Recessive Bit Width)         | $t_{BIT\_RXD}$    |      |     |      |                  |  |
| 2 Mbps  |                   | 450  |     | 550  | ns               | $t_{BIT\_TXD} = 500\text{ ns}$   |
| 5 Mbps  |                   | 160  |     | 220  | ns               | $t_{BIT\_TXD} = 200\text{ ns}$   |
| 8 Mbps  |                   | 85   |     | 140  | ns               | $t_{BIT\_TXD} = 125\text{ ns}$   |
| 12 Mbps   |                   | 50   |     | 91.6 | ns               | $t_{BIT\_TXD} = 83.3\text{ ns}$  |
| CANH, CANL SLEW RATE                                      | SR                |      | 7   |      | V/ $\mu\text{s}$ | SILENT low, see Figure 30, $R_L = 60\ \Omega$ , $C_L = 100\text{ pF}$ , $R_{SLOPE} = 47\text{ k}\Omega$  |
| <b>STANDBY MODE</b>                                       |                   |      |     |      |                  |  |
| Minimum Pulse Width Detected (Receiver Filter Time)       | $t_{FILTER}$      | 1    |     | 5    | $\mu\text{s}$    | STBY high, see Figure 4  |
| Wake-Up Pattern Detection Reset Time                      | $t_{WUPR}$        | 1175 |     | 4000 | $\mu\text{s}$    | STBY high, see Figure 4  |
| Normal Mode to Standby Mode Time                          | $t_{STBY\_ON}$    |      |     | 25   | $\mu\text{s}$    |  |
| Standby Mode to Normal Mode Time                          | $t_{STBY\_OFF}$   |      |     | 25   | $\mu\text{s}$    | Time until RXD valid   |
| <b>AUXILIARY SIGNAL</b>                                   |                   |      |     |      |                  |  |
| Maximum Switching Rate                                    | $f_{AUX}$         | 20   |     |      | kHz              |  |
| AUX <sub>IN</sub> to AUX <sub>OUT</sub> Propagation Delay | $t_{AUX}$         |      |     | 25   | $\mu\text{s}$    |  |
| <b>SILENT MODE</b>  |                   |      |     |      |                  |  |
| Normal Mode to Silent Mode Time                           | $t_{SILENT\_ON}$  |      | 40  | 100  | ns               | TXD low, $R_{SLOPE} = 0\ \Omega$ , see Figure 3  |
| Silent Mode to Normal Mode Time                           | $t_{SILENT\_OFF}$ |      | 50  | 100  | ns               | TXD low, $R_{SLOPE} = 0\ \Omega$ , see Figure 3  |

Timing Diagrams



Figure 2. Transceiver Timing Diagram



Figure 3. Silent Mode Timing Diagram

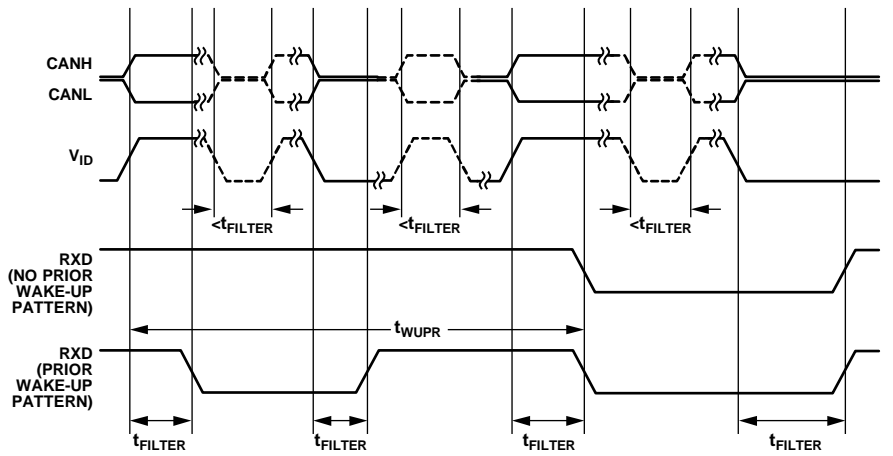


Figure 4. Wake-Up Pattern Detection and Filtered RXD in Standby Mode Timing Diagram



Figure 5. Dominant Timeout

**INSULATION AND SAFETY RELATED SPECIFICATIONS**

For additional information, see [www.analog.com/icouplersafety](http://www.analog.com/icouplersafety).

**Table 3.**

| Parameter   | Symbol  | Value    |          | Unit   | Test Conditions/Comments   |
|---|---------|----------|----------|--------|--|
|   |         | ADM3055E | ADM3057E |        |  |
| Rated Dielectric Insulation Voltage   |         | 5000     | 3000     | V rms  | 1-minute duration  |
| Minimum External Air Gap (Clearance)  | L (I01) | 8.3      | 7.8      | mm min | Measured from input terminals to output terminals, shortest distance through air   |
| Minimum External Tracking (Creepage)  | L (I02) | 8.3      | 7.8      | mm min | Measured from input terminals to output terminals, shortest distance path along body                                       |
| Minimum Clearance in the Plane of the Printed Circuit Board (PCB Clearance) | L (PCB) | 8.3      | 7.8      | mm min | Measured from input terminals to output terminals, shortest distance through air, line of sight, in the PCB mounting plane |
| Minimum Internal Gap (Internal Clearance)                                   |         | 21       | 21       | μm min | Insulation distance through insulation   |
| Tracking Resistance (Comparative Tracking Index)                            | CTI     | >600     | >600     | V      | IEC 60112  |
| Material Group  |         | I        | I        |        | Material Group (IEC 60664-1)   |

**PACKAGE CHARACTERISTICS****Table 4.**

| Parameter                                  | Symbol           | Min | Typ              | Max | Unit | Test Conditions/Comments |
|--|------------------|-----|------------------|-----|------|--------------------------|
| Resistance (Input to Output) <sup>1</sup>  | R <sub>I-O</sub> |     | 10 <sup>13</sup> |     | Ω    | f = 1 MHz                |
| Capacitance (Input to Output) <sup>1</sup> | C <sub>I-O</sub> |     | 3.7              |     | pF   |                          |
| Input Capacitance <sup>2</sup>             | C <sub>I</sub>   |     | 4.0              |     | pF   |                          |

<sup>1</sup> The device is considered a 2-terminal device: Pin 1 through Pin 10 are shorted together, and Pin 11 through Pin 20 are shorted together.

<sup>2</sup> Input capacitance is from any input data pin to ground.

**REGULATORY INFORMATION**

**ADM3055E**

See Table 11 and the Insulation Lifetime section for details regarding maximum working voltages for specific cross isolation waveforms and insulation levels. The ADM3055E is approved or pending approval by the organizations listed in Table 5.

**Table 5.**

| <b>UL (Pending)<sup>1</sup></b>                                  | <b>CSA (Pending)</b>   | <b>VDE (Pending)<sup>2</sup></b>  | <b>CQC (Pending)</b>  |
|--|--|---|---|
| Recognized under 1577 Component Recognition Program <sup>1</sup> | Approved under CSA Component Acceptance Notice 5A  | DIN V VDE V 0884-10 (VDE V 0884-10):2006-12   | Certified under CQC11-471543-2012   |
| Single Protection, 5000 V rms Isolation Voltage                  | CSA 60950-1-07+A1+A2 and IEC 60950-1, second edition, +A1+A2<br><br>Basic insulation at 830 V rms (1174 V <sub>PEAK</sub> )<br><br>Reinforced insulation at 415 V rms (587 V <sub>PEAK</sub> )<br>IEC 60601-1 Edition 3.1:<br>Basic insulation (1 MOPP), 519 V rms (734 V <sub>PEAK</sub> )<br>Reinforced insulation (2 MOPP), 261V rms (369 V <sub>PEAK</sub> )<br>CSA 61010-1-12 and IEC 61010-1 third edition<br>Basic insulation at 300 V rms mains, 830 V secondary (1174 V <sub>PEAK</sub> )<br>Reinforced insulation at 300 V rms mains, 415 V secondary (587 V <sub>PEAK</sub> ) | Reinforced insulation 849 V <sub>PEAK</sub> , surge isolation voltage (V <sub>IOTM</sub> ) = 8000 V <sub>PEAK</sub> | GB4943.1-2011: basic insulation at 830 V rms (1174 V <sub>PEAK</sub> )<br>Reinforced insulation at 415 V rms (587 V <sub>PEAK</sub> ) |
| File E214100   | File 205078  | File 2471900-4880-0001  | File (pending)  |

<sup>1</sup> In accordance with UL 1577, each ADM3055E is proof tested by applying an insulation test voltage ≥ 6000 V rms for 1 sec.

<sup>2</sup> In accordance with DIN V VDE V 0884-10, each ADM3055E is proof tested by applying an insulation test voltage ≥ 1592 V<sub>PEAK</sub> for 1 sec (partial discharge detection limit = 5 pC). The \* marking branded on the component designates DIN V VDE V 0884-10 approval.



**ADM3057E**

See Table 11 and the Insulation Lifetime section for details regarding maximum working voltages for specific cross isolation waveforms and insulation levels. The ADM3057E is approved or pending approval by the organizations listed in Table 6.

**Table 6.**

| <b>UL (Pending)<sup>1</sup></b>   | <b>CSA (Pending)</b>  | <b>VDE (Pending)<sup>2</sup></b>   | <b>CQC (Pending)</b>   |
|---|---|--|--|
| Recognized under 1577 Component Recognition Program <sup>1</sup><br>Single Protection, 3000 V rms Isolation Voltage<br><br>File E214100 | Approved under CSA Component Acceptance Notice 5A<br><br>CSA 60950-1-07+A1+A2 and IEC 60950-1, second edition, +A1+A2<br><br>Basic insulation at 780 V rms (1103 V <sub>PEAK</sub> )<br><br>Reinforced insulation at 390 V rms (552 V <sub>PEAK</sub> )<br>IEC 60601-1 Edition 3.1:<br>Basic insulation (1 MOPP), 490 V rms (693 V <sub>PEAK</sub> )<br>Reinforced insulation (2 MOPP), 250 V rms (353 V <sub>PEAK</sub> )<br>CSA 61010-1-12 and IEC 61010-1 third edition<br>Basic insulation at 300 V rms mains, 780 V secondary (1103 V <sub>PEAK</sub> )<br>Reinforced insulation at 300 V rms mains, 390 V secondary (552 V <sub>PEAK</sub> )<br><br>File 205078 | DIN V VDE V 0884-10 (VDE V 0884-10):2006-12<br><br>Reinforced insulation 849 V <sub>PEAK</sub> , surge isolation voltage (V <sub>IOTM</sub> ) = 6000 V <sub>PEAK</sub><br><br>File 2471900-4880-0001 | Certified under CQC11-471543-2012<br><br>GB4943.1-2011: basic insulation at 780 V rms (1103 V <sub>PEAK</sub> )<br>Reinforced insulation at 390 V rms (552 V <sub>PEAK</sub> )<br><br>File (pending) |

<sup>1</sup> In accordance with UL 1577, each ADM3057E is proof tested by applying an insulation test voltage  $\geq 3600$  V rms for 1 sec.

<sup>2</sup> In accordance with DIN V VDE V 0884-10, each ADM3057E is proof tested by applying an insulation test voltage  $\geq 1592$  V<sub>PEAK</sub> for 1 sec (partial discharge detection limit = 5 pC). The \* marking branded on the component designates DIN V VDE V 0884-10 approval.

**DIN V VDE V 0884-10 (VDE V 0884-10) INSULATION CHARACTERISTICS**

These isolators are suitable for reinforced electrical isolation only within the safety limit data. The protective circuits ensure the maintenance of the safety data. The asterisk (\*) marking on packages denotes DIN V VDE V 0884-10 approval.

**Table 7. ADM3055E VDE Characteristics**

| <b>Description</b>   | <b>Test Conditions/Comments</b>  | <b>Symbol</b>      | <b>Characteristic</b>          | <b>Unit</b>       |
|--|--|--------------------|--------------------------------|-------------------|
| Installation Classification per DIN VDE 0110<br>For Rated Mains Voltage $\leq 150$ V rms<br>For Rated Mains Voltage $\leq 300$ V rms<br>For Rated Mains Voltage $\leq 400$ V rms |  |                    | I to IV<br>I to IV<br>I to III |                   |
| Climatic Classification  |  |                    | 40/105/21                      |                   |
| Pollution Degree per DIN VDE 0110, Table 1   |  |                    | 2                              |                   |
| Maximum Working Insulation Voltage   |  | V <sub>IORM</sub>  | 849                            | V <sub>PEAK</sub> |
| Input to Output Test Voltage, Method B1  | V <sub>IORM</sub> $\times$ 1.875 = V <sub>PR</sub> , 100% production test, t <sub>m</sub> = 1 sec, partial discharge < 5 pC        | V <sub>pd(m)</sub> | 1592                           | V <sub>PEAK</sub> |
| Input to Output Test Voltage, Method A<br>After Environmental Tests Subgroup 1   | V <sub>IORM</sub> $\times$ 1.5 = V <sub>pd(m)</sub> , t <sub>ini</sub> = 60 sec, t <sub>m</sub> = 10 sec, partial discharge < 5 pC | V <sub>pd(m)</sub> | 1273                           | V <sub>PEAK</sub> |
| After Input or Safety Test Subgroup 2<br>and Subgroup 3  | V <sub>IORM</sub> $\times$ 1.2 = V <sub>pd(m)</sub> , t <sub>ini</sub> = 60 sec, t <sub>m</sub> = 10 sec, partial discharge < 5 pC | V <sub>pd(m)</sub> | 1018                           | V <sub>PEAK</sub> |
| Highest Allowable Overvoltage  | Transient overvoltage, t <sub>TR</sub> = 10 sec  | V <sub>IOTM</sub>  | 8000                           | V <sub>PEAK</sub> |
| Surge Isolation Voltage Reinforced   | V <sub>IOSM(TEST)</sub> = 10 kV, 1.2 $\mu$ s rise time, 50 $\mu$ s, 50% fall time  | V <sub>IOSM</sub>  | 6000                           | V <sub>PEAK</sub> |
| Safety Limiting Values   | Maximum value allowed in the event of a failure (see Figure 6)   |                    |                                |                   |
| Case Temperature   |  | T <sub>S</sub>     | 150                            | °C                |
| Total Power Dissipation at 25°C  |  | P <sub>S</sub>     | 2.55                           | W                 |
| Insulation Resistance at T <sub>S</sub>  | V <sub>IO</sub> = 500 V  | R <sub>S</sub>     | >10 <sup>9</sup>               | $\Omega$          |

Table 8. ADM3057E VDE Characteristics

| Description   | Test Conditions/Comments   | Symbol      | Characteristic                 | Unit        |
|---|--|-------------|--------------------------------|-------------|
| Installation Classification per DIN VDE 0110<br>For Rated Mains Voltage ≤ 150 V rms<br>For Rated Mains Voltage ≤ 300 V rms<br>For Rated Mains Voltage ≤ 400 V rms |  |             | I to IV<br>I to IV<br>I to III |             |
| Climatic Classification   |  |             | 40/105/21                      |             |
| Pollution Degree per DIN VDE 0110, Table 1  |  |             | 2                              |             |
| Maximum Working Insulation Voltage  |  | $V_{IORM}$  | 849                            | $V_{PEAK}$  |
| Input to Output Test Voltage, Method B1   | $V_{IORM} \times 1.875 = V_{PR}$ , 100% production test, $t_m = 1$ sec, partial discharge < 5 pC | $V_{pd(m)}$ | 1592                           | $V_{PEAK}$  |
| Input to Output Test Voltage, Method A<br>After Environmental Tests Subgroup 1  | $V_{IORM} \times 1.5 = V_{pd(m)}$ , $t_{ini} = 60$ sec, $t_m = 10$ sec, partial discharge < 5 pC | $V_{pd(m)}$ | 1273                           | $V_{PEAK}$  |
| After Input or Safety Test Subgroup 2 and Subgroup 3  | $V_{IORM} \times 1.2 = V_{pd(m)}$ , $t_{ini} = 60$ sec, $t_m = 10$ sec, partial discharge < 5 pC | $V_{pd(m)}$ | 1018                           | $V_{PEAK}$  |
| Highest Allowable Overvoltage   | Transient overvoltage, $t_{TR} = 10$ sec   | $V_{IOTM}$  | 6000                           | $V_{PEAK}$  |
| Surge Isolation Voltage Reinforced  | $V_{IOSM(TEST)} = 10$ kV, 1.2 $\mu$ s rise time, 50 $\mu$ s, 50% fall time                       | $V_{IOSM}$  | 6000                           | $V_{PEAK}$  |
| Safety Limiting Values  | Maximum value allowed in the event of a failure (see Figure 7)                                   |             |                                |             |
| Case Temperature  |  | $T_S$       | 150                            | $^{\circ}C$ |
| Total Power Dissipation at 25 $^{\circ}C$   |  | $P_S$       | 2.35                           | W           |
| Insulation Resistance at $T_S$  | $V_{IO} = 500$ V   | $R_S$       | >10 $^9$                       | $\Omega$    |



Figure 6. ADM3055E Thermal Derating Curve, Dependence of Safety Limiting Values with Ambient Temperature per DIN V VDE V 0884-10



Figure 7. ADM3057E Thermal Derating Curve, Dependence of Safety Limiting Values with Ambient Temperature per DIN V VDE V 0884-10

## ABSOLUTE MAXIMUM RATINGS

Pin voltages with respect to GND<sub>x</sub> are on the same side, unless otherwise noted.

Table 9.

| Parameter   | Rating   |
|---|--|
| V <sub>CC</sub>   | –0.5 V to +6 V   |
| V <sub>IO</sub>   | –0.5 V to +6 V   |
| Logic Side Input/Output: TXD, RXD, AUX <sub>IN</sub> , SILENT, STBY | –0.5 V to V <sub>IO</sub> + 0.5 V                          |
| CANH, CANL  | –40 V to +40 V   |
| AUX <sub>OUT</sub> , RS   | –0.5 V to V <sub>ISOIN</sub> + 0.5 V                       |
| Operating Temperature Range   | –40°C to +105°C  |
| Storage Temperature Range   | –65°C to +150°C  |
| Junction Temperature (T <sub>J</sub> Maximum)                       | 150°C  |
| Power Dissipation   | (T <sub>J</sub> maximum – T <sub>A</sub> )/θ <sub>JA</sub> |
| Electrostatic Discharge (ESD)                                       |  |
| IEC 61000-4-2, CANH/CANL  |  |
| Across Isolation Barrier to GND <sub>1</sub>                        | ±8 kV  |
| Contact Discharge to GND <sub>2</sub>                               | ±8 kV  |
| Air Discharge to GND <sub>2</sub>                                   | ±15 kV   |
| Human Body Model (HBM), All Pins, 1.5 kΩ, 100 pF                    | 4 kV   |
| Moisture Sensitivity Level (MSL)                                    | 3  |

Stresses at or above those listed under Absolute Maximum Ratings may cause permanent damage to the product. This is a stress rating only; functional operation of the product at these or any other conditions above those indicated in the operational section of this specification is not implied. Operation beyond the maximum operating conditions for extended periods may affect product reliability.

Table 11. Maximum Continuous Working Voltage<sup>1</sup>

| Parameter             | Rating   |          | Unit              | Constraint  |
|-----------------------|----------|----------|-------------------|---|
|                       | ADM3055E | ADM3057E |                   |   |
| AC Voltage            |          |          |                   |   |
| Bipolar Waveform      |          |          |                   |   |
| Basic Insulation      | 566      | 566      | V <sub>PEAK</sub> | Lifetime limited by insulation lifetime per VDE-0884-11 |
| Reinforced Insulation | 467      | 467      | V <sub>PEAK</sub> | Lifetime limited by insulation lifetime per VDE-0884-11 |
| Unipolar Waveform     |          |          |                   |   |
| Basic Insulation      | 1131     | 1131     | V <sub>PEAK</sub> | Lifetime limited by insulation lifetime per VDE-0884-11 |
| Reinforced Insulation | 933      | 933      | V <sub>PEAK</sub> | Lifetime limited by insulation lifetime per VDE-0884-11 |
| DC Voltage            |          |          |                   |   |
| Basic Insulation      | 1660     | 1560     | V <sub>PEAK</sub> | Lifetime limited by package creepage per IEC 60664-1    |
| Reinforced Insulation | 830      | 780      | V <sub>PEAK</sub> | Lifetime limited by package creepage per IEC 60664-1    |

<sup>1</sup> Maximum continuous working voltage refers to the continuous voltage magnitude imposed across the isolation barrier. See the Insulation Lifetime section for more details.

## THERMAL RESISTANCE

Thermal performance is directly linked to PCB design and operating environment. Careful attention to PCB thermal design is required.

θ<sub>JA</sub> is specified for the worst-case conditions, that is, a device soldered in a circuit board for surface-mount packages.

Table 10. Thermal Resistance

| Package Type <sup>1</sup> | θ <sub>JA</sub> | Unit |
|---------------------------|-----------------|------|
| RI-20-1                   | 49              | °C/W |
| RW-20                     | 53              | °C/W |

<sup>1</sup> Thermocouple located at the center of the package underside, test conducted on a 4-layer board with thin traces. See the Thermal Analysis section for thermal model definitions.

## ESD CAUTION



**ESD (electrostatic discharge) sensitive device.** Charged devices and circuit boards can discharge without detection. Although this product features patented or proprietary protection circuitry, damage may occur on devices subjected to high energy ESD. Therefore, proper ESD precautions should be taken to avoid performance degradation or loss of functionality.

## PIN CONFIGURATION AND FUNCTION DESCRIPTIONS

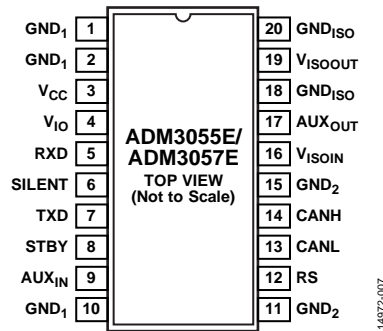


Figure 8. Pin Configuration

Table 12. Pin Function Descriptions

| Pin No.  | Mnemonic            | Description   |
|----------|---------------------|---|
| 1, 2, 10 | GND <sub>1</sub>    | Ground, Logic Side.   |
| 3        | V <sub>CC</sub>     | <i>iso</i> Power Power Supply, 4.5 V to 5.5 V. This pin requires 0.1 μF and 10 μF decoupling capacitors.  |
| 4        | V <sub>IO</sub>     | <i>i</i> Coupler Power Supply, 1.7 V to 5.5 V. This pin requires 0.01 μF and 0.1 μF decoupling capacitors.  |
| 5        | RXD                 | Receiver Output Data.   |
| 6        | SILENT              | Silent Mode Select with Input High. Bring this input low or leave the pin unconnected (internal pull-down) for normal mode.   |
| 7        | TXD                 | Driver Input Data. This pin has a weak internal pull-up resistor to V <sub>IO</sub> .   |
| 8        | STBY                | Standby Mode Select with Input High. Bring this input low or leave the pin unconnected (internal pull-down) for normal mode.  |
| 9        | AUX <sub>IN</sub>   | Auxiliary Channel Input. This pin sets the AUX <sub>OUT</sub> output.   |
| 11, 15   | GND <sub>2</sub>    | Ground, Bus Side.   |
| 12       | RS                  | Slope Control Pin. Short this pin to ground for full speed operation or use a weak pull-down resistor (for example, 47 kΩ) for slope control mode. An input high signal places the CAN transceiver in standby mode. |
| 13       | CANL                | CAN Low Input/Output.   |
| 14       | CANH                | CAN High Input/Output.  |
| 16       | V <sub>ISOIN</sub>  | Isolated Power Supply Input for the CAN Transceiver Bus Side Digital Isolator. This pin requires 0.01 μF and 0.1 μF decoupling capacitors.  |
| 17       | AUX <sub>OUT</sub>  | Isolated Auxiliary Channel Output. The state of AUX <sub>OUT</sub> is latched when STBY is high. By default, AUX <sub>OUT</sub> is low at startup or when V <sub>IO</sub> is unpowered.                             |
| 18, 20   | GND <sub>ISO</sub>  | Ground for the Isolated DC-to-DC Converter. Connect these pins together through one ferrite bead to PCB ground (bus side).  |
| 19       | V <sub>ISOOUT</sub> | Isolated Power Supply Output. This pin requires 0.22 μF and 10 μF capacitors to GND <sub>ISO</sub> . Connect this pin through a ferrite bead and short the PCB trace to V <sub>ISOIN</sub> for operation.           |

## OPERATIONAL TRUTH TABLE

Table 13. Truth Table

| Power           |                 | Inputs <sup>1,2</sup> |        |      |                   |                   | Mode                  | Outputs <sup>2</sup> |                    | Input/Output                         |
|-----------------|-----------------|-----------------------|--------|------|-------------------|-------------------|-----------------------|----------------------|--------------------|--------------------------------------|
| V <sub>CC</sub> | V <sub>IO</sub> | TXD                   | SILENT | STBY | AUX <sub>IN</sub> | RS                |                       | RXD <sup>3</sup>     | AUX <sub>OUT</sub> |                                      |
| On              | On              | Low                   | Low    | Low  | Low               | Low/<br>pull-down | Normal/<br>slope mode | Low                  | Low                | Dominant <sup>4</sup>                |
| On              | On              | Low                   | Low    | Low  | High              | Low/<br>pull-down | Normal/<br>slope mode | Low                  | High               | Dominant <sup>4</sup>                |
| On              | On              | High                  | Low    | Low  | Low               | Low/<br>pull-down | Normal/<br>slope mode | High/per bus         | Low                | Recessive/set by bus                 |
| On              | On              | High                  | Low    | Low  | High              | Low/<br>pull-down | Normal/<br>slope mode | High/per bus         | High               | Recessive/set by bus                 |
| On              | On              | X                     | High   | Low  | Low               | X                 | Listen only           | High/per bus         | Low                | Recessive/set by bus                 |
| On              | On              | X                     | High   | Low  | High              | X                 | Listen only           | High/per bus         | High               | Recessive/set by bus                 |
| On              | On              | X                     | X      | High | X                 | X                 | Standby               | High/WUP/filtered    | Last state         | Bias to GND <sub>2</sub> /set by bus |
| On              | On              | X                     | X      | X    | Low               | Pull-up           | Standby <sup>5</sup>  | High/WUP/filtered    | Low                | Bias to GND <sub>2</sub> /set by bus |
| On              | On              | X                     | X      | X    | High              | Pull-up           | Standby <sup>5</sup>  | High/WUP/filtered    | High               | Bias to GND <sub>2</sub> /set by bus |
| On              | Off             | Z                     | Z      | Z    | Z                 | Low/<br>pull-down | Normal/<br>slope mode | Z                    | Low                | Recessive/set by bus                 |
| Off             | On              | X                     | X      | X    | X                 | X                 | Transceiver off       | High                 | Z                  | High impedance/set by bus            |
| Off             | Off             | Z                     | Z      | Z    | Z                 | Z                 | Transceiver off       | Z                    | Z                  | High impedance/set by bus            |

<sup>1</sup> X means irrelevant.

<sup>2</sup> Z means high impedance within one diode drop of ground.

<sup>3</sup> WUP means remote wake-up pattern.

<sup>4</sup> Limited by t<sub>DR</sub>.

<sup>5</sup> RS can only set the transceiver to standby mode. RS does not control the digital isolator.

TYPICAL PERFORMANCE CHARACTERISTICS



Figure 9. Supply Current,  $I_{IO}$  vs. Data Rate

14972-108

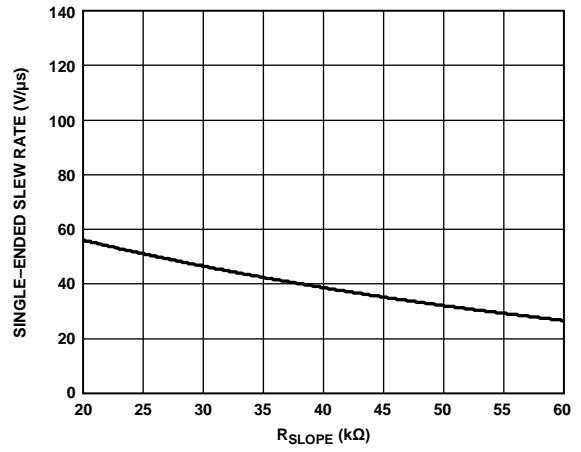


Figure 12. Single-Ended Slew Rate vs.  $R_{SLOPE}$

14972-111



Figure 10. Supply Current,  $I_{CC}$  vs. Data Rate

14972-109



Figure 13. Receiver Input Hysteresis vs. Temperature

14972-112



Figure 11. Supply Current,  $I_{IO}$  vs. Temperature (Inputs Idle)

14972-110



Figure 14.  $t_{TXD\_DOM}$  vs. Temperature

14972-113

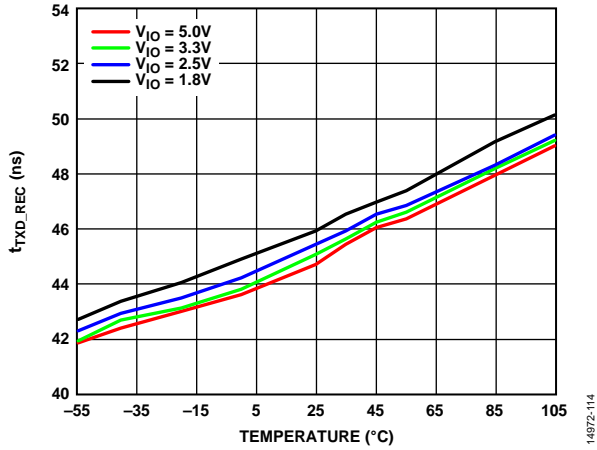


Figure 15.  $t_{TXD\_REC}$  vs. Temperature

14972-114



Figure 18.  $t_{LOOP\_RISE}$  vs. Temperature ( $R_{SLOPE} = 0 \Omega$ )

14972-117

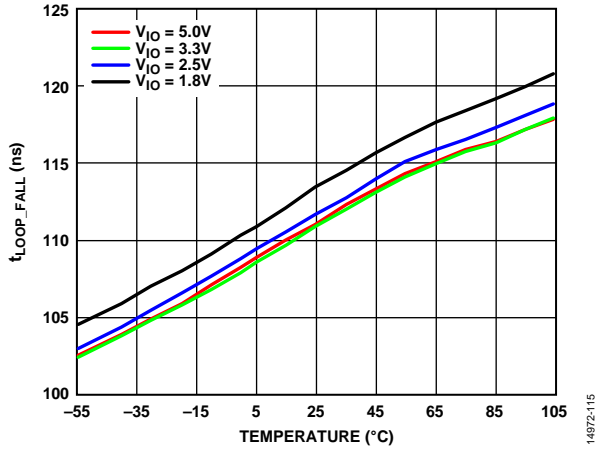


Figure 16.  $t_{LOOP\_FALL}$  vs. Temperature ( $R_{SLOPE} = 0 \Omega$ )

14972-115



Figure 19.  $t_{LOOP\_RISE}$  vs. Temperature ( $R_{SLOPE} = 47 \text{ k}\Omega$ )

14972-118

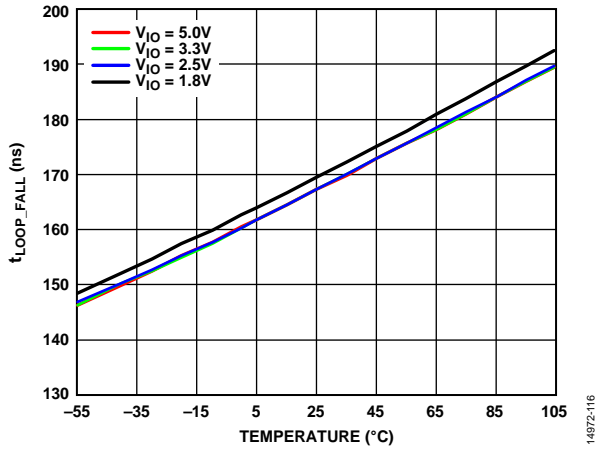


Figure 17.  $t_{LOOP\_FALL}$  vs. Temperature ( $R_{SLOPE} = 47 \text{ k}\Omega$ )

14972-116



Figure 20. Differential Output Voltage ( $V_{OD}$ ) vs. Temperature

14972-119



Figure 21. Supply Current,  $I_{CC}$  vs. Temperature

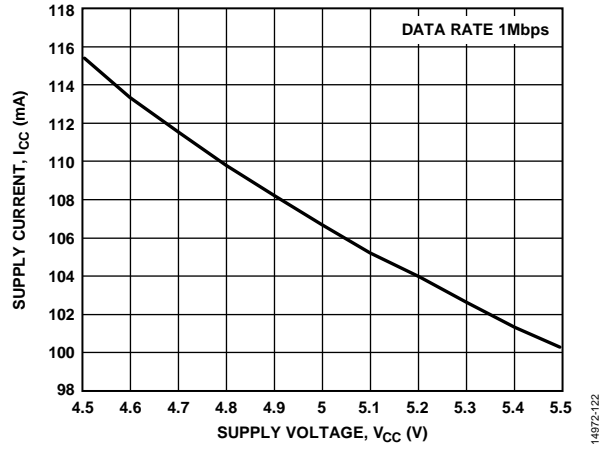


Figure 23. Supply Current,  $I_{CC}$  vs. Supply Voltage,  $V_{CC}$ ,  $R_S = 0\ \Omega$ , 1 Mbps



Figure 22. Supply Current,  $I_{IO}$  vs. Temperature,  $R_S = 0\ \Omega$ , 1 Mbps

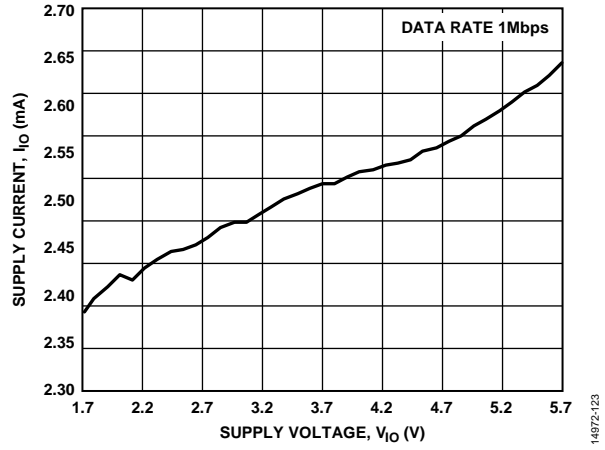


Figure 24. Supply Current,  $I_{IO}$  vs. Supply Voltage,  $V_{IO}$ , Data Rate = 1 Mbps





Figure 25. Dominant Timeout,  $t_{DT}$  vs. Temperature



Figure 27. Supply Current,  $I_{CC}$  vs. Transmitted Data Rate



Figure 26. Supply Current,  $I_{CC}$  vs. Supply Voltage,  $V_{CC}$  ( $V_{ISOOUT}$  Shorted to  $GND_{ISO}$ )

TEST CIRCUITS



Figure 28. Driver Voltage Measurement

14972-008



Figure 31.  $R_{DIFF}$  and  $C_{DIFF}$  Measured in Recessive State, Bus Disconnected

14972-011

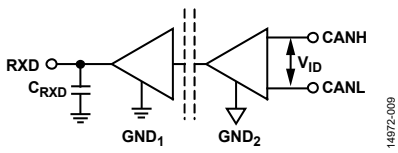


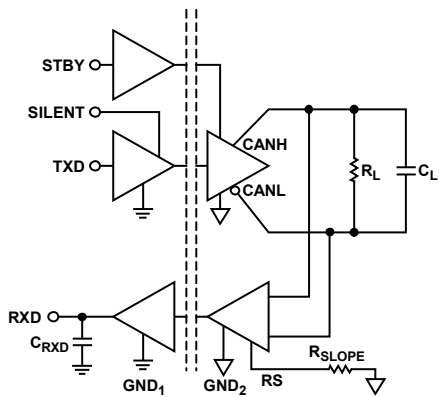
Figure 29. Receiver Voltage Measurement

14972-009



Figure 32.  $R_{IN}$  and  $C_{IN}$  Measured in Recessive State, Bus Disconnected

14972-012



NOTES  
1. 1% TOLERANCE FOR ALL RESISTORS AND CAPACITORS.

Figure 30. Switching Characteristics Measurements

14972-010

## TERMINOLOGY

### $I_{CC}$

$I_{CC}$  is the current drawn by the  $V_{CC}$  pin. This pin powers the *isoPower* dc-to-dc converter.

### $I_{IO}$

$I_{IO}$  is the current drawn by the  $V_{IO}$  pin. This pin powers the *iCoupler* digital isolator.

### $I_{SC}$

$I_{SC}$  is the current drawn by the  $V_{ISOIN}$  pin under the specified fault condition.

### $V_{OD}$

The  $V_{OD}$  is the difference of the CANH and CANL levels, which is  $V_{DIFF}$  in ISO 11898-2:2016.

### $f_{OSC}$

$f_{OSC}$  is the carrier frequency of the *isoPower* dc-to-dc converter that provides isolated power to the bus side.

### $t_{TXD\_DOM}$

$t_{TXD\_DOM}$  is the propagation delay from a low signal on TXD to transition the bus to a dominant state.

### $t_{TXD\_REC}$

$t_{TXD\_REC}$  is the propagation delay from a high signal on TXD to transition the bus to a recessive state.

### $t_{LOOP\_FALL}$

$t_{LOOP\_FALL}$  is the propagation delay of a low signal on the TXD pin to the bus dominant and transitions low on the RXD pin.

### $t_{LOOP\_RISE}$

$t_{LOOP\_RISE}$  is the propagation delay of a high signal on the TXD pin to the bus recessive and transitions high on the RXD pin.

### $t_{BIT\_TXD}$

$t_{BIT\_TXD}$  is the bit time on the TXD pin as transmitted by the CAN controller. See Figure 2 for level definitions.

### $t_{BIT\_BUS}$

$t_{BIT\_BUS}$  is the bit time transmitted by the transceiver to the bus. When compared with a given  $t_{BIT\_TXD}$ , a measure of bit symmetry from the TXD digital isolation channel and CAN transceiver can be determined. See Figure 2 for level definitions.

### $t_{BIT\_RXD}$

$t_{BIT\_RXD}$  is the bit time on the RXD output pin that can be compared with  $t_{BIT\_TXD}$  for a round trip measure of pulse width distortion through the TXD digital isolation channel, the CAN transceiver, and back through the RXD isolation channel.

### Wake-Up Pattern (WUP)

WUP is a remote transmitted pattern required to trigger low speed data transmission by the CAN transceiver while in standby mode. The pattern does not force the transceiver out of standby mode.

## THEORY OF OPERATION

### CAN TRANSCEIVER OPERATION

The ADM3055E/ADM3057E facilitate communication between a CAN controller and the CAN bus. The CAN controller and the ADM3055E/ADM3057E communicate with standard 1.8 V, 2.5 V, 3.3 V, or 5.0 V CMOS levels. The internal transceiver translates the CMOS levels to and from the CAN bus.

The CAN bus has two states: dominant and recessive. The recessive state is present on the bus when the differential voltage between CANH and CANL is less than 0.5 V. In the recessive state, the CANH and CANL pins are set to high impedance and are loosely biased to a single-ended voltage of 2.5 V. A dominant state is present on the bus when the differential voltage between CANH and CANL is greater than 1.5 V. The transceiver transmits a dominant state by driving the single-ended voltage of the CANH pin to 3.5 V and the CANL pin to 1.5 V. The recessive and dominant states correspond to CMOS high and CMOS low, respectively, on the RXD pin and TXD pin.

A dominant state from another node overwrites a recessive state on the bus. A CAN frame can be set for higher priority by using a longer string of dominant bits to gain control of the CAN bus during the arbitration phase. While transmitting, a CAN transceiver also reads back the state of the bus. When a CAN controller receives a dominant state while transmitting a recessive state during arbitration, the CAN controller surrenders the bus to the node still transmitting the dominant state. The node that gains control during the arbitration phase reads back only its own transmission. This interaction between recessive and dominant states allows competing nodes to negotiate for control of the bus while avoiding contention between nodes.

Industrial applications can have long cable runs. These long runs may have differences in local earth potential. Different sources may also power nodes. The ADM3055E transceiver has a  $\pm 25$  V common-mode range (CMR) that exceeds the ISO 11898-2:2016 requirement and further increases the tolerance to ground variation.

See the [AN-1123 Application Note](#) for additional information on CAN.

### SIGNAL AND POWER ISOLATION

The ADM3055E and the ADM3057E provide galvanic signal isolation implemented on the logic side of the interface. The RXD and TXD isolation channels transmit and receive with an on/off keying (OOK) architecture on the iCoupler digital isolation technology.

The ADM3055E and the ADM3057E feature independent power supply pins for isolated power (the  $V_{CC}$  pin) and isolated signal (the  $V_{IO}$  pin). The  $V_{CC}$  pin requires a nominal 5 V supply to produce the 5 V isolated power. The  $V_{IO}$  pin may be supplied with a nominal 1.8 V to a nominal 5 V. The logic input and output levels scale to the voltage supplied to the  $V_{IO}$  pin. The

isolated power from the  $V_{ISOOUT}$  pin must be supplied to the  $V_{ISOIN}$  pin to power the bus side digital isolator and transceiver.

### STANDBY MODE

The STBY pin engages a reduced power standby mode that modifies the operation of both the CAN transceiver and digital isolation channels. Standby mode disables the TXD signal isolation channel and sets the transmitter output to a high impedance state loosely biased to  $GND_2$ . While in standby mode, the receiver filters bus data and responds only after the remote wake-up sequence is received.

When entering or exiting standby mode, the TXD input must be kept high and the RXD output must be ignored for the full  $t_{STBY\_ON}$  and  $t_{STBY\_OFF}$  times. STBY does not control or modify behavior of the *isoPower* integrated dc-to-dc converter. The dc-to-dc converter continues to operate and provide the power to the bus side.

### REMOTE WAKE UP

The ADM3055E and the ADM3057E respond to the remote wake-up sequence as defined in ISO 11898-2:2016. When CAN channels are presented with the defined slow speed high low high sequence within the low wake-up pattern detection reset time ( $t_{WUPR}$ ), low speed data transmission is allowed.

Successful receipt of the remote wake-up pattern does not bring the ADM3055E and the ADM3057E out of standby mode. The ADM3055E STBY pin must be brought low externally to exit standby mode. After the ADM3055E or ADM3057E device receives the remote wake-up pattern, the transceiver continues to receive low speed data until standby mode is exited.

### SILENT MODE

Asserting the SILENT pin disables the TXD digital isolation channel. Any inputs to the TXD pin are ignored in this mode, and the transceiver presents a recessive bus state. The operation of the RXD channel is unaffected. The RXD channel continues to output data received from the internal CAN transceiver monitoring the bus.

Silent mode is useful when paired with a CAN controller using automatic baud rate detection. A CAN controller must be set to the same data rate as all attached nodes. The CAN controller produces an error frame and ties up the bus with a dominant state when the received data rate is different from expected. Other CAN nodes then echo this error frame. While in silent mode, the error frames produced by the CAN controller are kept from interrupting bus traffic, and the controller can continue listening to bus traffic to tune.

## RS PIN

The RS pin sets the transceiver in one of three different modes of operation: high speed, slope control, or standby. This pin cannot be left floating.

For high speed mode, connect the RS pin directly to GND<sub>2</sub>. Ensure that the transition time of the CAN bus signals are as short as possible to allow higher speed signaling. A shielded cable is recommended to avoid electromagnetic interference (EMI) problems in high speed mode.

Slope control mode allows the use of unshielded twisted pair wires or parallel pair wires as bus lines. Slow the signal rise and fall transition times to reduce EMI and ringing in slope control mode. Adjust the rise and fall slopes by adding a resistor ( $R_{SLOPE}$ ) connected from RS to GND<sub>2</sub>. The slope is proportional to the current output at the RS pin.

The RS pin can also set the CAN transceiver to standby mode, which occurs when the pin is driven to a voltage above  $V_{STB}$ . In standby mode, high speed data is filtered, and the CANH and CANL lines are biased to GND<sub>2</sub>.

The RS pin can only set the CAN transceiver to standby mode. The state of the RS pin does not modify the operation of digital isolation channels or the auxiliary channel.

## AUXILIARY CHANNEL

The auxiliary channel is available for low speed data transmission at up to 20 kHz (or 40 kbps nonreturn-to-zero format) when STBY is not asserted. The data rate limit of the channel allows the data channel to be shared by the STBY signal.

In standby mode, or when STBY is driven high, the operation of the channel is modified to share the multiplexed signal path with the STBY signal (see Figure 1). The AUX<sub>OUT</sub> pin remains latched in the state when STBY is asserted. Periodic pulses (<25  $\mu$ s wide) are sent to indicate that the logic side is powered and remains in standby mode.

In applications where AUX<sub>OUT</sub> may be shorted to GND<sub>2</sub> or V<sub>DD2</sub>, add a series resistance to the output channel.

An example of using this auxiliary channel to control a switchable termination from the logic side is demonstrated on the [EVAL-ADM3055EEBZ](#) evaluation board.

## INTEGRATED AND CERTIFIED IEC EMC SOLUTION

Typically, designers must add protections against harsh operating environments while also making the product as small as possible. To reduce board space and the design effort needed to meet system level ESD standards, the ADM3055E and the ADM3057E include robust protection circuitry on chip for the CANH and CANL lines.

## FAULT PROTECTION

Miswire events commonly occur when the system power supply is connected directly to the CANH and CANL bus lines during assembly. The ADM3055E and the ADM3057E CAN bus pins are protected against such high voltage miswire events. The ADM3055E and the ADM3057E CANH and CANL signal lines can withstand continuous  $\pm 40$  V with respect to GND<sub>2</sub> or +40 V between the CAN bus lines without damage. This level of protection applies when the device is either powered or unpowered.

The ADM3055E provides IEC 61000-4-2 Level 4 ESD protection, but some applications may require further system level protection. The symmetrical nature of the ADM3055E  $\pm 40$  V bus fault protection and the  $\pm 25$  V CMR makes the selection of bidirectional transient voltage suppressor (TVS) diodes easier.

## FAIL-SAFE FEATURES

In cases where the TXD input pin is allowed to float, to prevent bus traffic interruption, the TXD input channel has an internal pull-up to the V<sub>IO</sub> pin. The pull-up holds the transceiver in the recessive state.

The ADM3055E and the ADM3057E feature a dominant timeout ( $t_{DT}$  in Table 2). A TXD line shorted to ground or malfunctioning CAN controller are examples of how a single node can indefinitely prevent further bus traffic. The dominant timeout limits how long the dominant state can transmit to the CAN bus by the transceiver. When the TXD pin is presented with a logic high, normal TXD functionality is restored.

The  $t_{DT}$  minimum also inherently creates a minimum data rate. Under normal operation, the CAN protocol allows five consecutive bits of the same polarity before stuffing a bit of the opposite polarity into the transmitting bit sequence. When an error is detected, the CAN controller purposely violates the bit stuffing rules by producing six consecutive dominant bits. At any given data rate, the CAN controller must transmit as many as 11 consecutive dominant bits to effectively limit the ADM3055E and the ADM3057E minimum data rate to 9600 bps.

## THERMAL SHUTDOWN

The ADM3055E and the ADM3057E contain thermal shutdown circuitry that protects the devices from excessive power dissipation during fault conditions. Shorting the driver outputs to a low impedance source can result in high driver currents. The thermal sensing circuitry detects the increase in die temperature under this condition and disables the driver outputs. The circuitry disables the driver outputs when the die temperature reaches 175°C. When the die has cooled, the drivers are enabled again.

## APPLICATIONS INFORMATION

### PCB LAYOUT

Power supply bypassing is required at the logic input supply,  $V_{IO}$ , and at the shared CAN transceiver and digital isolator input supply pin,  $V_{ISOIN}$ . Low equivalent series resistance (ESR) bypass capacitors are required and must be placed as close to the chip pads as possible. The ADM3055E and the ADM3057E signal and power isolated CAN transceivers do not require external interface circuitry for the logic interfaces.

The integrated dc-to-dc converter supply input pin,  $V_{CC}$ , requires parallel 10  $\mu\text{F}$  and 0.1  $\mu\text{F}$  bypass capacitors placed close to the pin. Noise suppression requires a low inductance, high frequency capacitor. Ripple suppression and proper regulation require a large value capacitor. Effective bypass capacitance is also required on the isolated output supply pin,  $V_{ISOOUT}$ , for proper operation of the integrated dc-to-dc converter. Note that the total trace length between the ends of the low ESR capacitors and the input power supply pins,  $V_{CC}$ ,  $V_{IO}$ ,  $V_{ISOIN}$ , and  $V_{ISOOUT}$ , must not exceed 2 mm.

### RADIATED EMISSIONS AND PCB LAYOUT

The ADM3055E and the ADM3057E signal and power isolated CAN FD transceivers pass EN 55022 Class B by 6 dB on a 2-layer PCB design with ferrite beads. Neither PCB stitching capacitance nor high voltage surface-mounted technology (SMT) safety capacitors are required to meet this emissions level.

The ADM3055E and the ADM3057E have an internal split pad lead frame on the bus side to isolate noise generated by the dc-to-dc converter from the transceiver. For best noise suppression, filter both the  $V_{ISOOUT}$  power supply pin and  $\text{GND}_{ISO}$  power supply return pin for high frequency currents before routing power to the transceiver. Use surface-mount ferrite beads in series with the signals, as shown in Figure 33.

The *isoPower* integrated dc-to-dc converters of the ADM3055E and the ADM3057E produce a 180 MHz carrier frequency to transmit power through the chip scale transformer. The impedance of the ferrite bead must be approximately 2 k $\Omega$  between the 100 MHz and 1 GHz frequency range to reduce the emissions of the 180 MHz primary switching frequency and 360 MHz secondary side rectifying frequency. See Table 14 for examples of appropriate surface-mount ferrite beads. Although the ferrite beads are beneficial for emissions performance, the ferrite beads are not required for functionality.

**Table 14. Surface-Mount Ferrite Beads Example**

| Manufacturer       | Part No.       |
|--------------------|----------------|
| Taiyo Yuden        | BKH1005LM182-T |
| Murata Electronics | BLM15HD182SN1  |

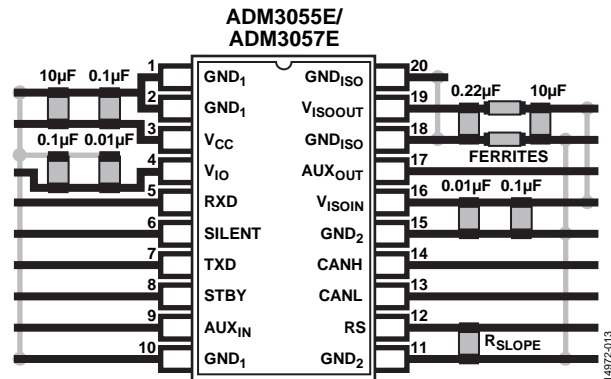


Figure 33. Recommended PCB Layout

### THERMAL ANALYSIS

The ADM3055E and the ADM3057E consist of six internal die attached to a split lead frame with four die attach pads. For the purposes of thermal analysis, the die are treated as a thermal unit, with the highest junction temperature reflected in the  $\theta_{JA}$  value in Table 10. The  $\theta_{JA}$  value is based on measurements taken with the devices mounted on a JEDEC standard, 4-layer board with fine width traces and still air. Under normal operating conditions, the ADM3055E and the ADM3057E can operate at full load across the full temperature range without derating the output current.

### INSULATION LIFETIME

All insulation structures eventually break down when subjected to voltage stress over a sufficiently long period of time. The rate of insulation degradation is dependent on the characteristics of the voltage waveform applied across the insulation as well as on the materials and material interfaces.

The two types of insulation degradation of primary interest are breakdown along surfaces exposed to the air and insulation wear out. Surface breakdown is the phenomenon of surface tracking and is the primary determinant of surface creepage requirements in system level standards. Insulation wear out is the phenomenon where charge injection or displacement currents inside the insulation material cause long-term insulation degradation.

### Surface Tracking

Surface tracking is addressed in electrical safety standards by setting a minimum surface creepage based on the working voltage, the environmental conditions, and the properties of the insulation material. Safety agencies perform characterization testing on the surface insulation of components, allowing the components to be categorized in different material groups. Lower material group ratings are more resistant to surface tracking and can therefore provide adequate lifetime with smaller creepage. The minimum creepage for a given working voltage and material group is in each system level standard and is based on the total rms voltage across the isolation, pollution degree, and material group. See Table 3 for the material group and creepage information for the ADM3055E and the ADM3057E isolated CAN transceivers.

### Insulation Wear Out

The lifetime of insulation caused by wear out is determined by the thickness, material properties, and the voltage stress applied across the insulation. It is important to verify that the product lifetime is adequate at the application working voltage. The working voltage supported by an isolator for wear out may not be the same as the working voltage supported for tracking. The working voltage applicable to tracking is specified in most standards.

Testing and modeling show that the primary driver of long-term degradation is displacement current in the polyimide insulation, causing incremental damage. The stress on the insulation can be divided into broad categories, such as dc stress and ac component, time varying voltage stress. DC stress causes little wear out because there is no displacement current, whereas ac component, time varying voltage stress causes wear out.

The ratings in certification documents are typically based on 60 Hz sinusoidal stress to reflect isolation from the line voltage. However, many practical applications have combinations of 60 Hz ac and dc across the barrier, as shown in Equation 1. Because only the ac portion of the stress causes wear out, the equation can be rearranged to solve for the ac rms voltage, as shown in Equation 2. For insulation wear out with the polyimide materials used in these products, the ac rms voltage determines the product lifetime.

$$V_{RMS} = \sqrt{V_{AC\ RMS}^2 + V_{DC}^2} \quad (1)$$

or

$$V_{AC\ RMS} = \sqrt{V_{RMS}^2 - V_{DC}^2} \quad (2)$$

where:

$V_{RMS}$  is the total rms working voltage.

$V_{AC\ RMS}$  is the time varying portion of the working voltage.

$V_{DC}$  is the dc offset of the working voltage.

### Calculation and Use of Parameters Example

The following example frequently arises in power conversion applications. Assume that the line voltage on one side of the isolation is 240 V<sub>AC RMS</sub>, and a 400 V<sub>DC</sub> bus voltage is present on the other side of the isolation barrier. The isolator material is polyimide. To establish the critical voltages used to determine the creepage, clearance, and lifetime of a device, see Figure 34 and the equations that follow.



Figure 34. Critical Voltage Example

The working voltage across the barrier from Equation 1 is

$$V_{RMS} = \sqrt{V_{AC\ RMS}^2 + V_{DC}^2}$$

$$V_{RMS} = \sqrt{240^2 + 400^2}$$

$$V_{RMS} = 466\text{ V}$$

Use this  $V_{RMS}$  value as the working voltage in conjunction with the material group and pollution degree to determine the creepage required by a system standard.

To determine if the lifetime is adequate, obtain the time varying portion of the working voltage. To obtain the ac rms voltage, use Equation 2.

$$V_{AC\ RMS} = \sqrt{V_{RMS}^2 - V_{DC}^2}$$

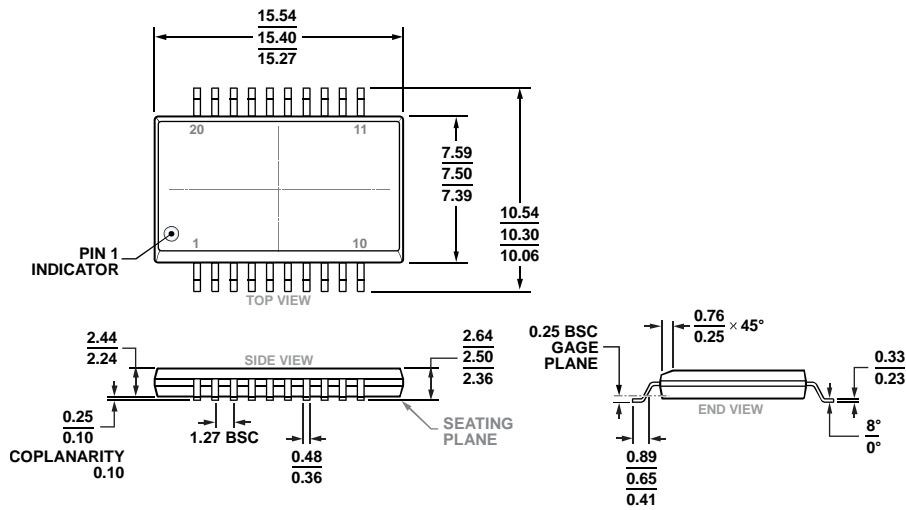
$$V_{AC\ RMS} = \sqrt{466^2 - 400^2}$$

$$V_{AC\ RMS} = 240\text{ V}_{RMS}$$

In this case, the ac rms voltage is simply the line voltage of 240 V<sub>RMS</sub>. This calculation is more relevant when the waveform is not sinusoidal. The calculated ac rms voltage is compared to the limits for the working voltage in Table 11 for the expected lifetime of the device, which is less than a 60 Hz sine wave, and is well within the limit for a 50-year service life.

The dc working voltage limit is set by the creepage of the package as specified in IEC 60664-1. This value can differ for specific system level standards.

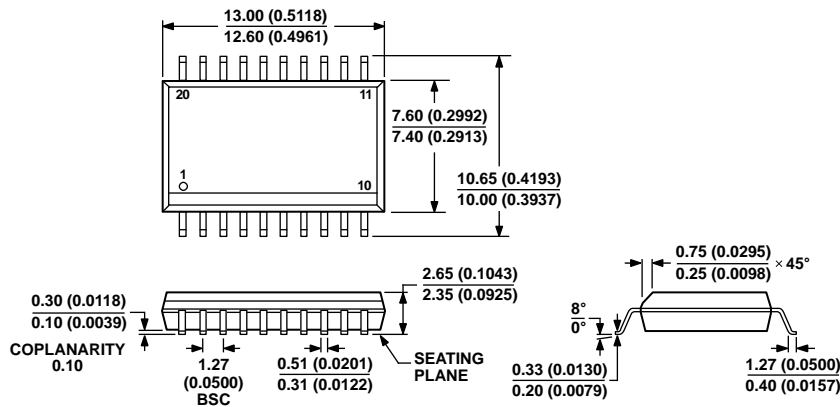
OUTLINE DIMENSIONS



COMPLIANT TO JEDEC STANDARDS MS-013-AD

Figure 35. 20-Lead Standard Small Outline Package with Increased Creepage [SOIC\_IC] Wide Body, (RI-20-1)

Dimensions shown in millimeters



COMPLIANT TO JEDEC STANDARDS MS-013-AC  
CONTROLLING DIMENSIONS ARE IN MILLIMETERS; INCH DIMENSIONS (IN PARENTHESES) ARE ROUNDED-OFF MILLIMETER EQUIVALENTS FOR REFERENCE ONLY AND ARE NOT APPROPRIATE FOR USE IN DESIGN.

Figure 36. 20-Lead Standard Small Outline Package [SOIC\_W]

Wide Body, (RW-20)

Dimensions shown in millimeters and (inches)

ORDERING GUIDE

| Model <sup>1, 2</sup> | Temperature Range | Package Description  | Package Option |
|-----------------------|-------------------|--|----------------|
| ADM3055EBRIZ          | -40°C to +105°C   | 20-Lead Standard Small Outline Package with Increased Creepage [SOIC_IC] | RI-20-1        |
| ADM3055EBRIZ-RL       | -40°C to +105°C   | 20-Lead Standard Small Outline Package with Increased Creepage [SOIC_IC] | RI-20-1        |
| EVAL-ADM3055EEBZ      |                   | ADM3055E Evaluation Board  |                |
| ADM3057EBRWZ          | -40°C to +105°C   | 20-Lead Standard Small Outline Package [SOIC_W]                          | RW-20          |
| ADM3057EBRWZ-RL       | -40°C to +105°C   | 20-Lead Standard Small Outline Package [SOIC_W]                          | RW-20          |

<sup>1</sup> Z = RoHS Compliant Part.

<sup>2</sup> Use the EVAL-ADM3055EEBZ evaluation board to evaluate the ADM3057E.