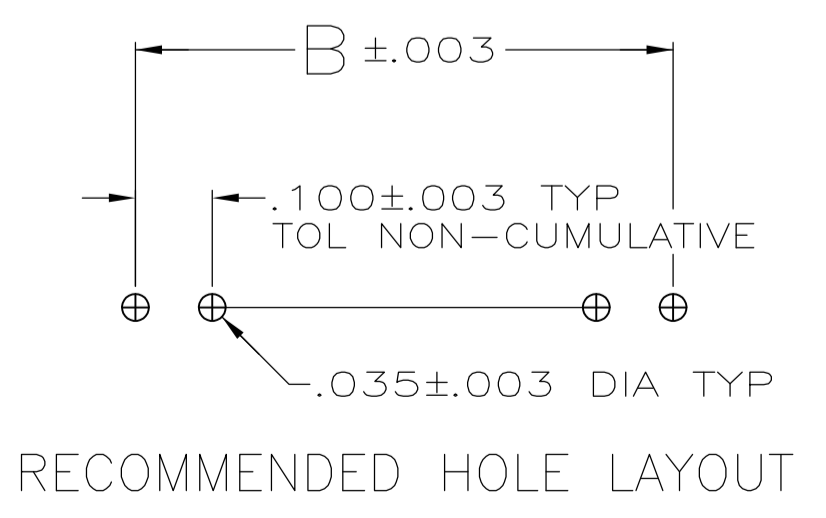


- 1 TRUE POSITION TOLERANCE OF THE POST TIPS APPLIES WHEN THE HEADERS ARE HELD FLAT AGAINST THE PRINTED CIRCUIT BOARD
- 2 ASSEMBLY MAY BE BROKEN TO THE DESIRED NUMBER OF POSITIONS
- 3 PACKAGE IN SINGLE TUBES
- 4 .000100-.000200 MATTE TIN-LEAD OVER .000050 NICKEL.
- 5 .000100-.000200 BRIGHT TIN OVER .000050 NICKEL.
- 6 PRELIMINARY PART - NOT RELEASED FOR PRODUCTION.
- 7 HOUSING MATERIAL: FLAME RETARDANT THERMOPLASTIC; COLOR-BLACK.
- 8 OBSOLETE PARTS: OBSOLETE CIS STREAMLINING PER D.RENAUD/D.SINISI



OBSOLETE	5			.484	.400	4	5	5-103321-3												
	5	6		1.384	1.300	13	14	5-103321-2												
	5	6		1.184	1.100	11	12	5-103321-1												
	5	6		1.084	1.000	10	11	5-103321-0												
	5	6		.884	.800	8	9	4-103321-9												
	5			3.984	3.900	39	40	4-103321-8												
	5			1.584	1.500	15	16	4-103321-7												
	5			.784	.700	7	8	4-103321-6												
	5			.284	.200	2	3	4-103321-5												
	5			.184	.100	1	2	4-103321-4												
	5	6		.084	-	-	1	4-103321-3												
SUPERSEDED BY 1-103321-4		3		1.384	1.300	13	14	4-103321-2												
SUPERSEDED BY 103321-3		3		.284	.200	2	3	4-103321-1												
	4			3.984	3.900	39	40	4-103321-0												
OBSOLETE	4			3.884	3.800	38	39	3-103321-9												
OBSOLETE	4			3.784	3.700	37	38	3-103321-8												
OBSOLETE	4			3.684	3.600	36	37	3-103321-7												
	4			3.584	3.500	35	36	3-103321-6												
OBSOLETE	4			3.484	3.400	34	35	3-103321-5												
OBSOLETE	4			3.384	3.300	33	34	3-103321-4												
OBSOLETE	4			3.284	3.200	32	33	3-103321-3												
OBSOLETE	4			3.184	3.100	31	32	3-103321-2												
OBSOLETE	4			3.084	3.000	30	31	3-103321-1												
OBSOLETE	4			2.984	2.900	29	30	3-103321-0												
OBSOLETE	4			2.884	2.800	28	29	2-103321-9												
OBSOLETE	4			2.784	2.700	27	28	2-103321-8												
OBSOLETE	4			2.684	2.600	26	27	2-103321-7												
OBSOLETE	4			2.584	2.500	25	26	2-103321-6												
	4			2.484	2.400	24	25	2-103321-5												
OBSOLETE	4			2.384	2.300	23	24	2-103321-4												
OBSOLETE	4			2.284	2.200	22	23	2-103321-3												
OBSOLETE	4			2.184	2.100	21	22	2-103321-2												
OBSOLETE	4			2.084	2.000	20	21	2-103321-1												
SUPERSEDED BY 7-146274-0		4		1.984	1.900	19	20	2-103321-0												
OBSOLETE	4			1.884	1.800	18	19	1-103321-9												
OBSOLETE	4			1.784	1.700	17	18	1-103321-8												
OBSOLETE	4			1.684	1.600	16	17	1-103321-7												
	4			1.584	1.500	15	16	1-103321-6												
OBSOLETE	4			1.484	1.400	14	15	1-103321-5												
	4			1.384	1.300	13	14	1-103321-4												
OBSOLETE	4			1.284	1.200	12	13	1-103321-3												
OBSOLETE	4			1.184	1.100	11	12	1-103321-2												
OBSOLETE	4			1.084	1.000	10	11	1-103321-1												
	4			.984	.900	9	10	1-103321-0												
	4			.884	.800	8	9	103321-9												
	4			.784	.700	7	8	103321-8												
	4			.684	.600	6	7	103321-7												
	4			.584	.500	5	6	103321-6												
	4			.484	.400	4	5	103321-5												
	4			.384	.300	3	4	103321-4												
	4			.284	.200	2	3	103321-3												
	4			.184	.100	1	2	103321-2												
	4			.084	-	-	1	103321-1												
PLATING	REMARKS	C	B	A	NO OF POSN	PART NUMBER														

THIS DRAWING IS A CONTROLLED DOCUMENT.

DIMENSIONS: INCHES	TOLERANCES UNLESS OTHERWISE SPECIFIED:	DIN J.MARTINELLI 15OCT92	APVD B.FLINCHBAUGH 23NOV92	NAME ASSEMBLY, HEADER, BREAKAWAY, MOD II, SINGLE ROW, .100 C/L, VERTICAL, WITH .025 SQUARE POSTS
0 PLC ± -	1 PLC ± -	2 PLC ± -	3 PLC ± .005	4 PLC ± -
ANGLES ± -	SEE TABLE	WEIGHT -	SIZE A1	CAGE CODE 00779
MATERIAL POST: COPPER ALLOY	FINISH SEE TABLE	DRAWING NO. 103321	SCALE 4:1	SHEET 1 OF 1

STE TE Connectivity

CUSTOMER DRAWING